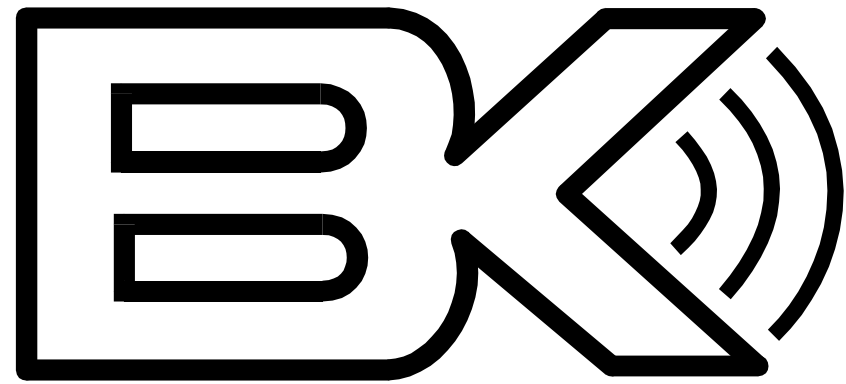


# Reference 4430

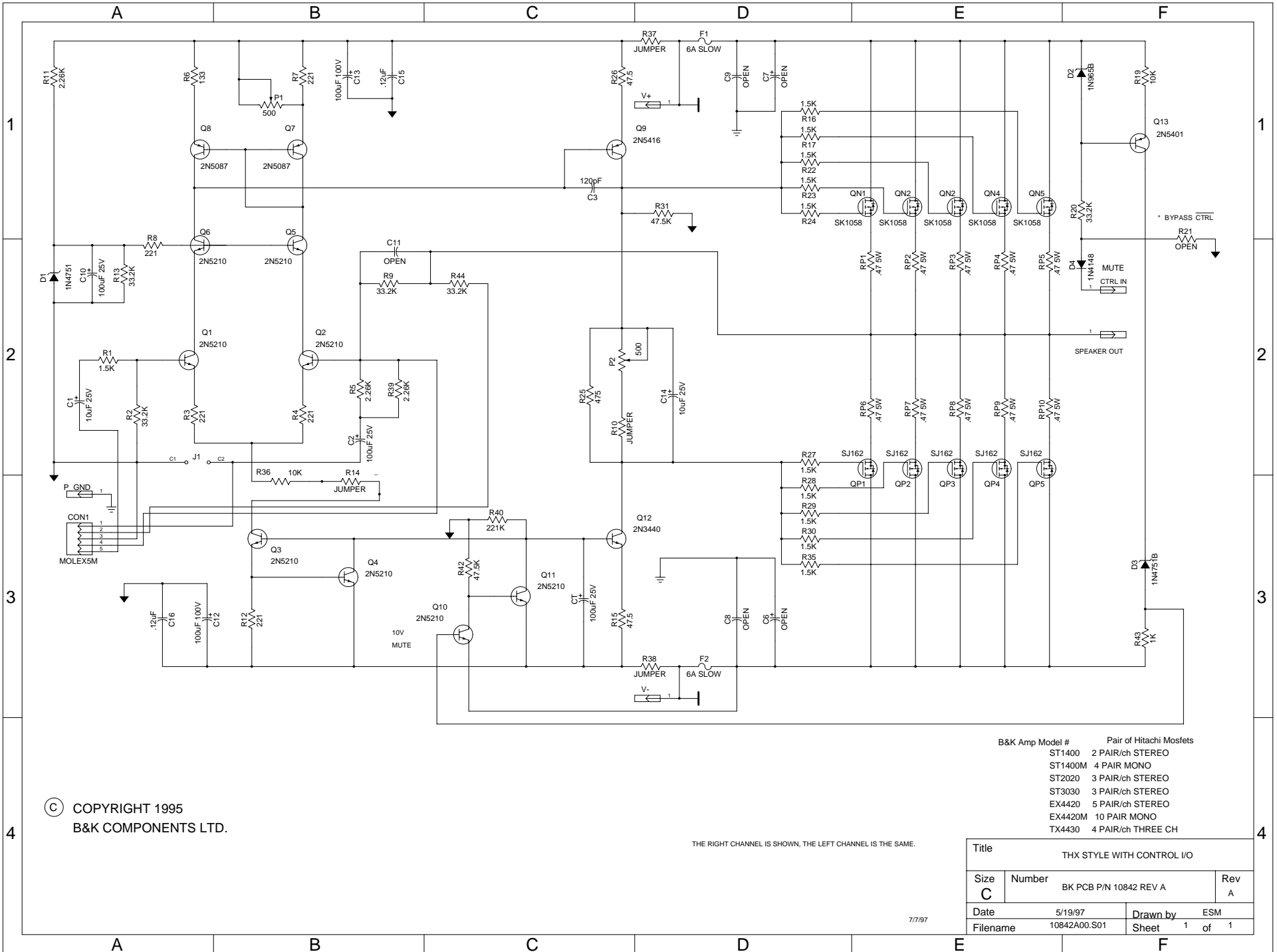
## SERVICE MANUAL

B&K COMPONENTS, LTD.  
2100 Old Union Road  
Buffalo, New York 14227-2725  
U.S.A.



# Schematics

B&K COMPONENTS, LTD.  
2100 Old Union Road  
Buffalo, New York 14227-2725  
U.S.A.

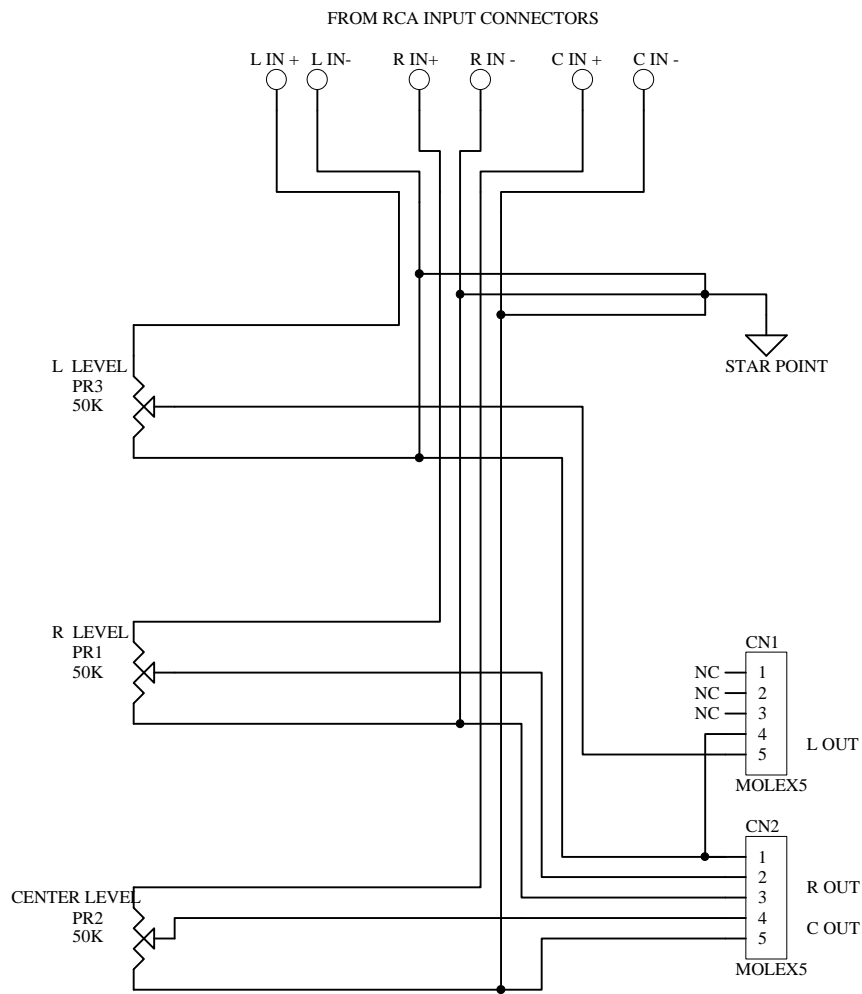


© COPYRIGHT 1995  
B&K COMPONENTS LTD.

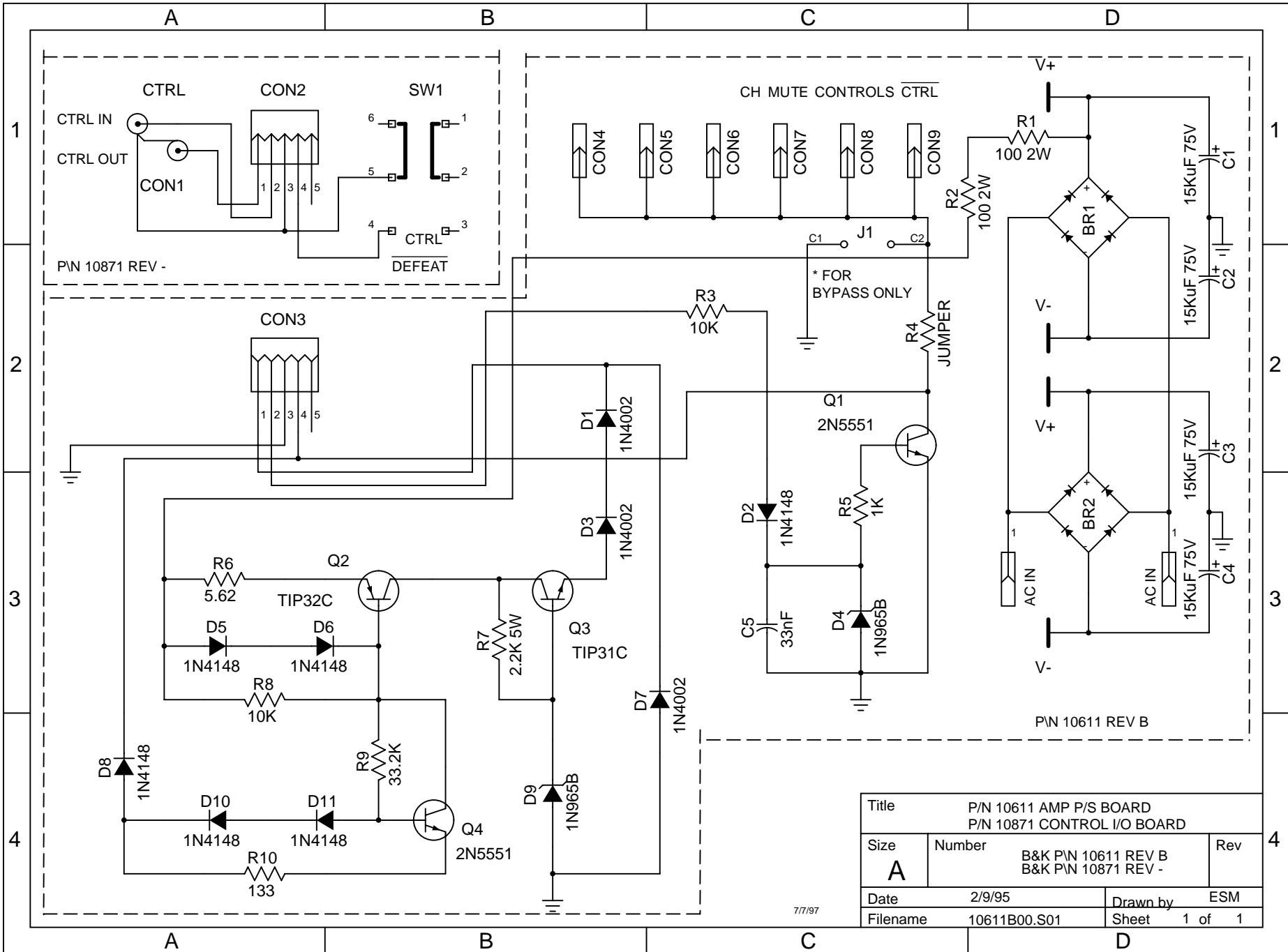
THE RIGHT CHANNEL IS SHOWN, THE LEFT CHANNEL IS THE SAME.

- B&K Amp Model #      Pair of Hitachi Mosfets  
 ST1400    2 PAIR/ch STEREO  
 ST1400M    4 PAIR MONO  
 ST2020    3 PAIR/ch STEREO  
 ST3030    3 PAIR/ch STEREO  
 EX4420    5 PAIR/ch STEREO  
 EX4420M    10 PAIR MONO  
 TX4430    4 PAIR/ch THREE CH

Title			THX STYLE WITH CONTROL I/O		
Size	Number	BK PCB P/N 10842 REV A		Rev	A
C					
Date	5/19/97	Drawn by	ESM		
Filename	10842A00.S01	Sheet	1	of	1



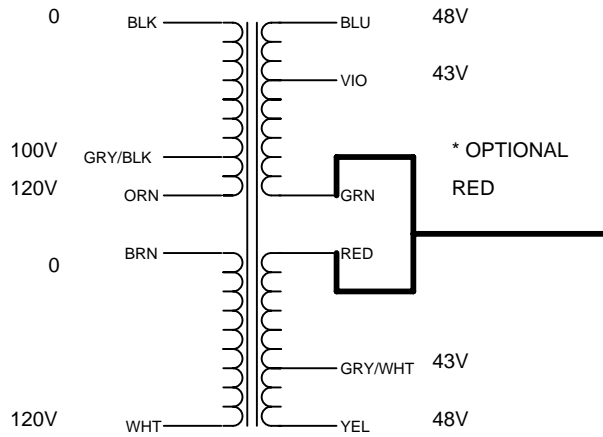
Title			
<b>3 CH POWER AMPLIFIER LEVEL CONTROL</b>			
Size	Number	Revision	
A	<b>B&amp;K P/N 11021</b>	---	
Date:	8-Mar-1999	Sheet of	1 OF 1
File:	F:\USERS\...\11021-00.SCH	Drawn By:	MVB



Title			
P/N 10611 AMP P/S BOARD			
P/N 10871 CONTROL I/O BOARD			
Size	Number	Rev	
A	B&K P/N 10611 REV B B&K P/N 10871 REV -		
Date	2/9/95	Drawn by	ESM
Filename	10611B00.S01	Sheet	1 of 1

7/7/97

625VA MULTI SEC/PRI TOROID



THE SECONDARY VOLTAGES LISTED ARE FOR FULL LOAD CONDITIONS.

APPROX. MAX DIMENSIONS OF TOROIDAL TRANSFORMER:

HEIGHT: 3.5"

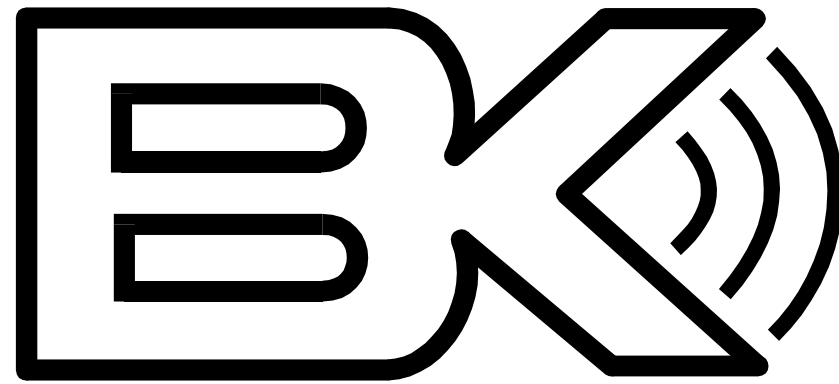
APPROX. MAX MOUNTING DIM. 6.0"

LEAD LENGTH: 9"

THE ABOVE PHYSICAL DIMENSIONS ARE MAXIMUM DIMENSIONS.

7/22/97

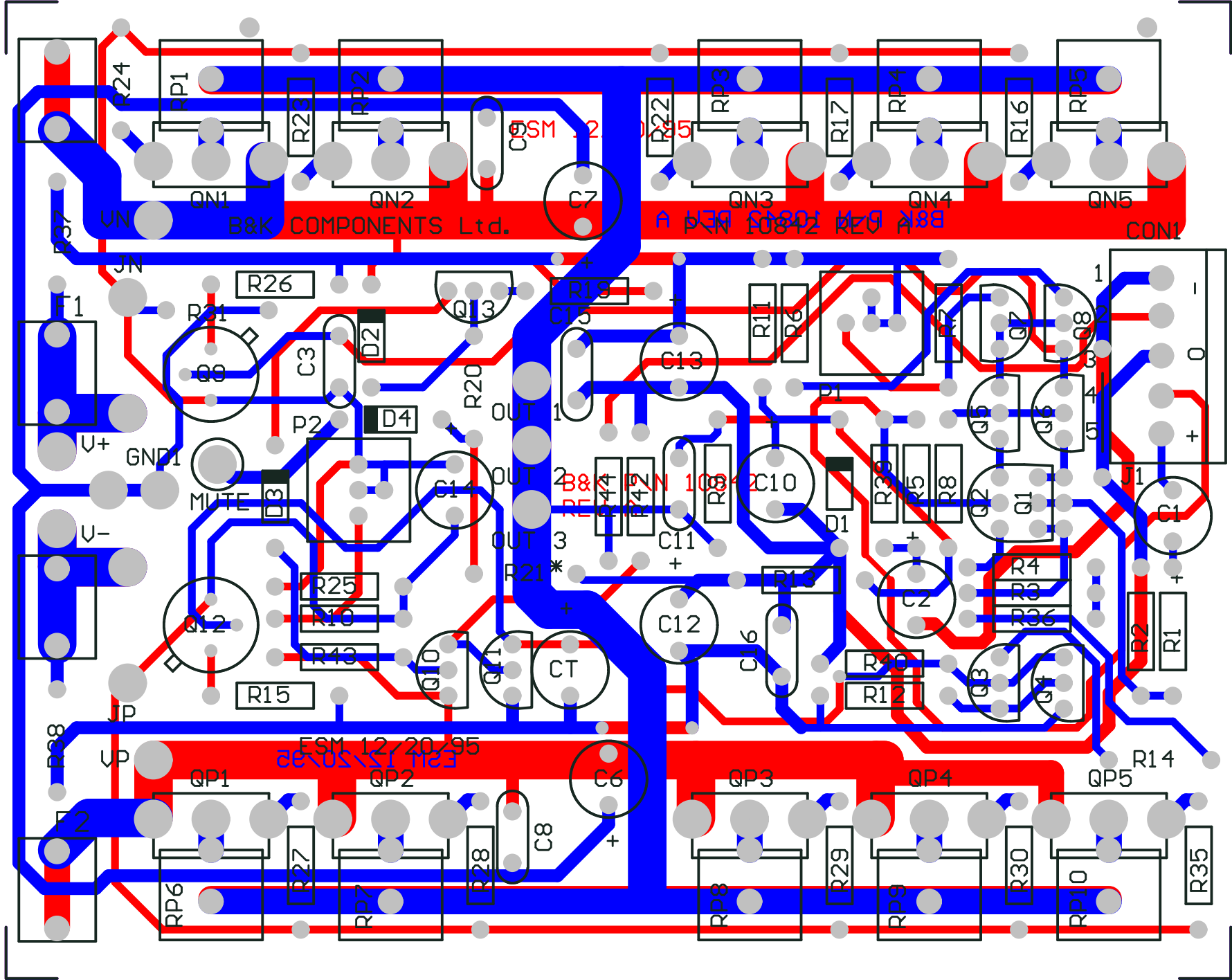
Title			
B&K COMPONENTS LTD.			
Size	Number	B&K P/N 10085	Rev
A	625VA MULTI SEC/PRI		-
Date	1/18/95	Drawn by	ESM
Filename	10085.S01	Sheet	1 of 1

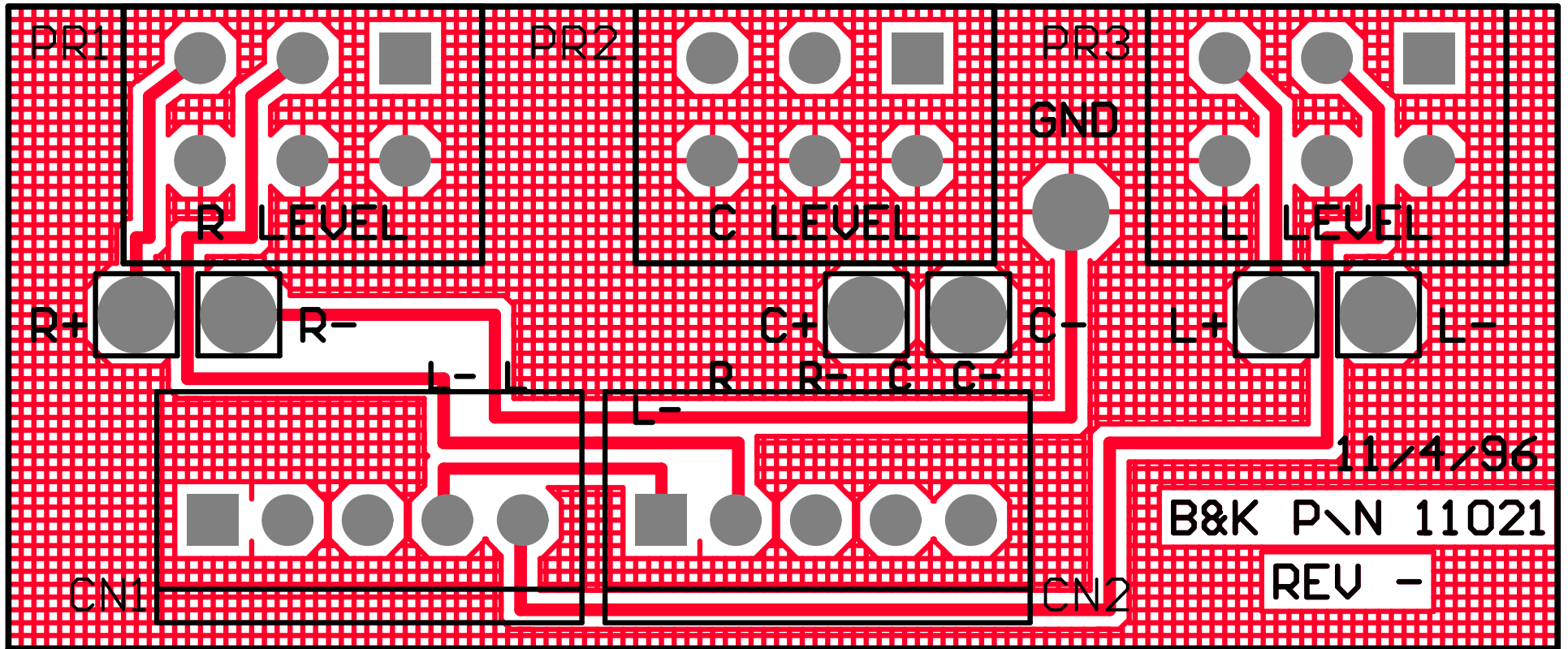


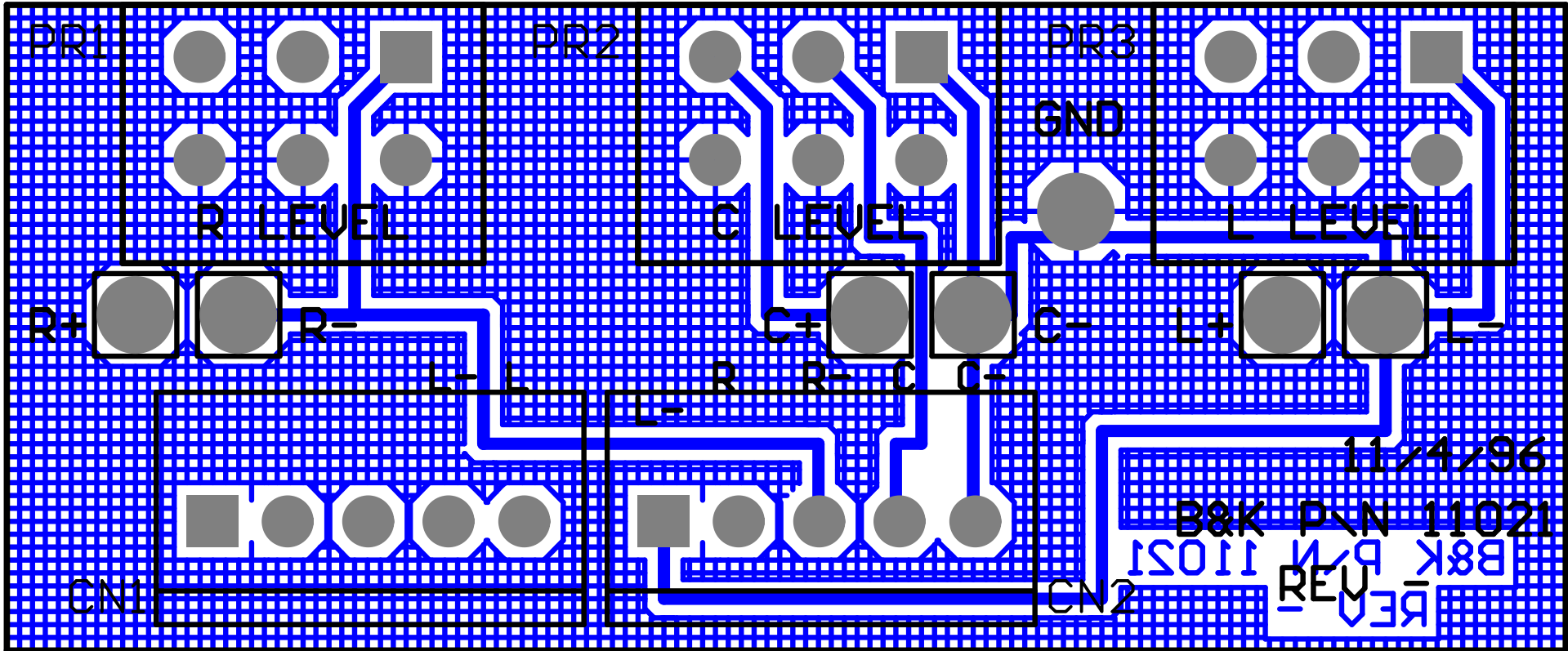
# Printed Circuit Boards

## PCB's

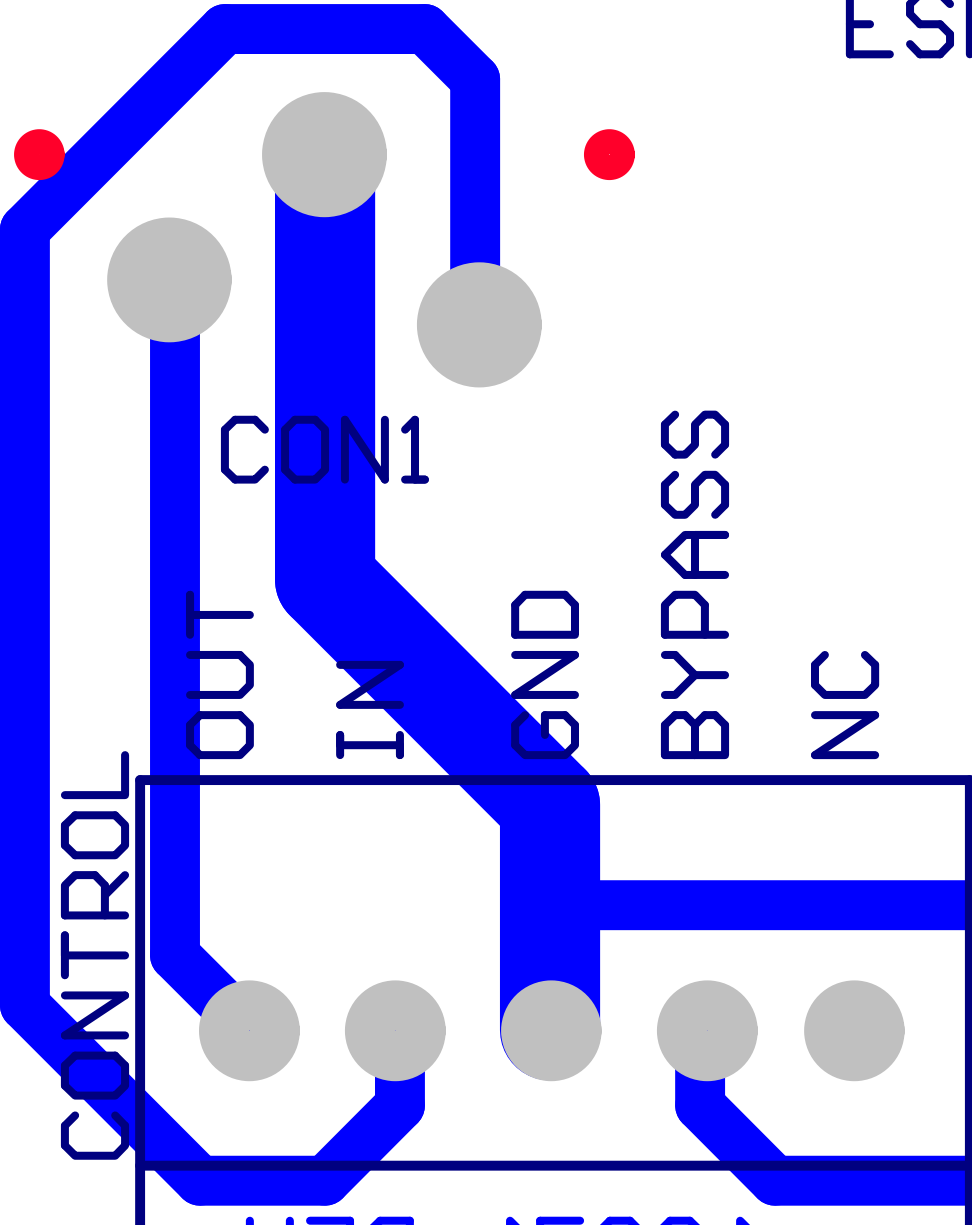
B&K COMPONENTS, LTD.  
2100 Old Union Road  
Buffalo, New York 14227-2725  
U.S.A.







ESM 2/28/95



CON2 10871 REV 1

SW1

CONTROL

OUT

IN

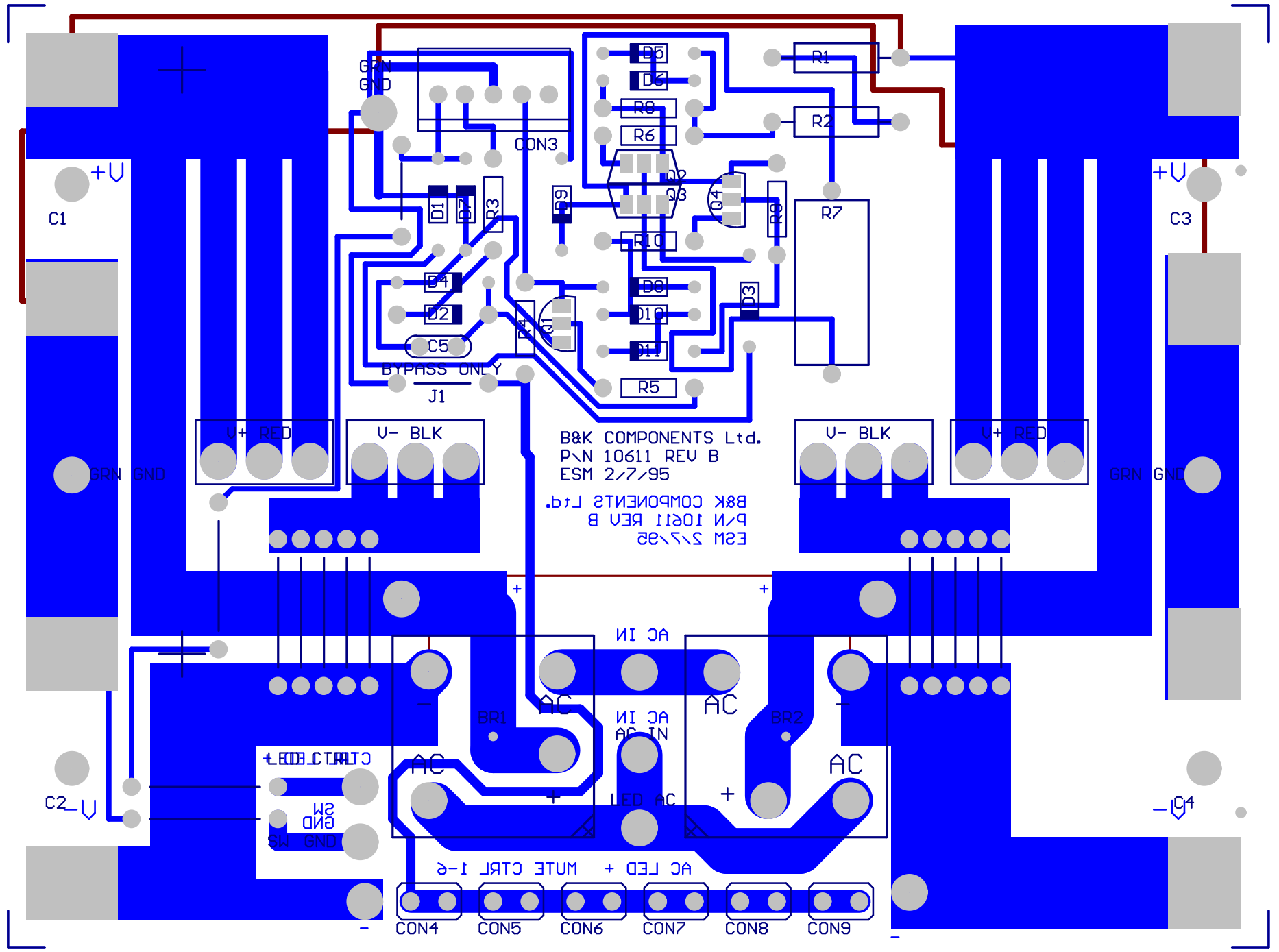
GND

BYPASS

NC

CON1

-



B&K COMPONENTS Ltd.  
P/N 10611 REV B  
ESM 2/7/95

B&K COMPONENTS Ltd.  
P/N 10611 REV B  
ESM 2/7/95

CON4 CON5 CON6 CON7 CON8 CON9

AC LED + MUTE CTRL 1-6  
GND MS  
GND MS

BR1 AC  
AC IN  
AC IN  
AC  
LED AC  
AC  
BR2

V+ RED  
V- BLK

V- BLK  
V+ RED

C1 +V

C3 +V

GRN GND

GRN GND

C2 -V

-V

GRN GND

CON3

J1

BYPASS ONLY

D1

D2

D3

D4

D5

D2

D1

C5

D8

D9

D10

D11

D12

D13

D14

D15

D16

D17

D18

D19

D20

D21

D22

D23

D24

D25

D26

D27

D28

D29

D30

R1

R2

R7

R10

R5

R6

R9

R8

R4

R3

R11

R12

R13

R14

R15

R16

R17

R18

R19

R20

R21

R22

R23

R24

R25

R26

R27

R28

R29

R30

R31

R32

R33

R34

R35

R36

R37

R38

R39

R40

R41

R42

R43

R44

R45

R46

R47

R48

R49

R50

R51

R52

R53

R54

R55

R56

R57

R58

R59

R60

R61

R62

R63

R64

R65

R66

R67

R68

R69

R70

R71

R72

R73

R74

R75

R76

R77

R78

R79

R80

R81

R82

R83

R84

R85

R86

R87

R88

R89

R90

R91

R92

R93

R94

R95

R96

R97

R98

R99

R100

R101

R102

R103

R104

R105

R106

R107

R108

R109

R110

R111

R112

R113

R114

R115

R116

R117

R118

R119

R120

R121

R122

R123

R124

R125

R126

R127

R128

R129

R130

R131

R132

R133

R134

R135

R136

R137

R138

R139

R140

R141

R142

R143

R144

R145

R146

R147

R148

R149

R150

R151

R152

R153

R154

R155

R156

R157

R158

R159

R160

R161

R162

R163

R164

R165

R166

R167

R168

R169

R170

R171

R172

R173

R174

R175

R176

R177

R178

R179

R180

R181

R182

R183

R184

R185

R186

R187

R188

R189

R190

R191

R192

R193

R194

R195

R196

R197

R198

R199

R200

R201

R202

R203

R204

R205

R206

R207

R208

R209

R210

R211

R212

R213

R214

R215

R216

R217

R218

R219

R220

R221

R222

R223

R224

R225

R226

R227

R228

R229

R230

R231

R232

R233

R234

R235

R236

R237

R238

R239

R240

R241

R242

R243

R244

R245

R246

R247

R248

R249

R250

R251

R252

R253

R254

R255

R256

R257

R258

R259

R260

R261

R262

R263

R264

R265

R266

R267

R268

R269

R270

R271

R272

R273

R274

R275

R276

R277

R278

R279

R280

R281

R282

R283

R284

R285

R286

R287

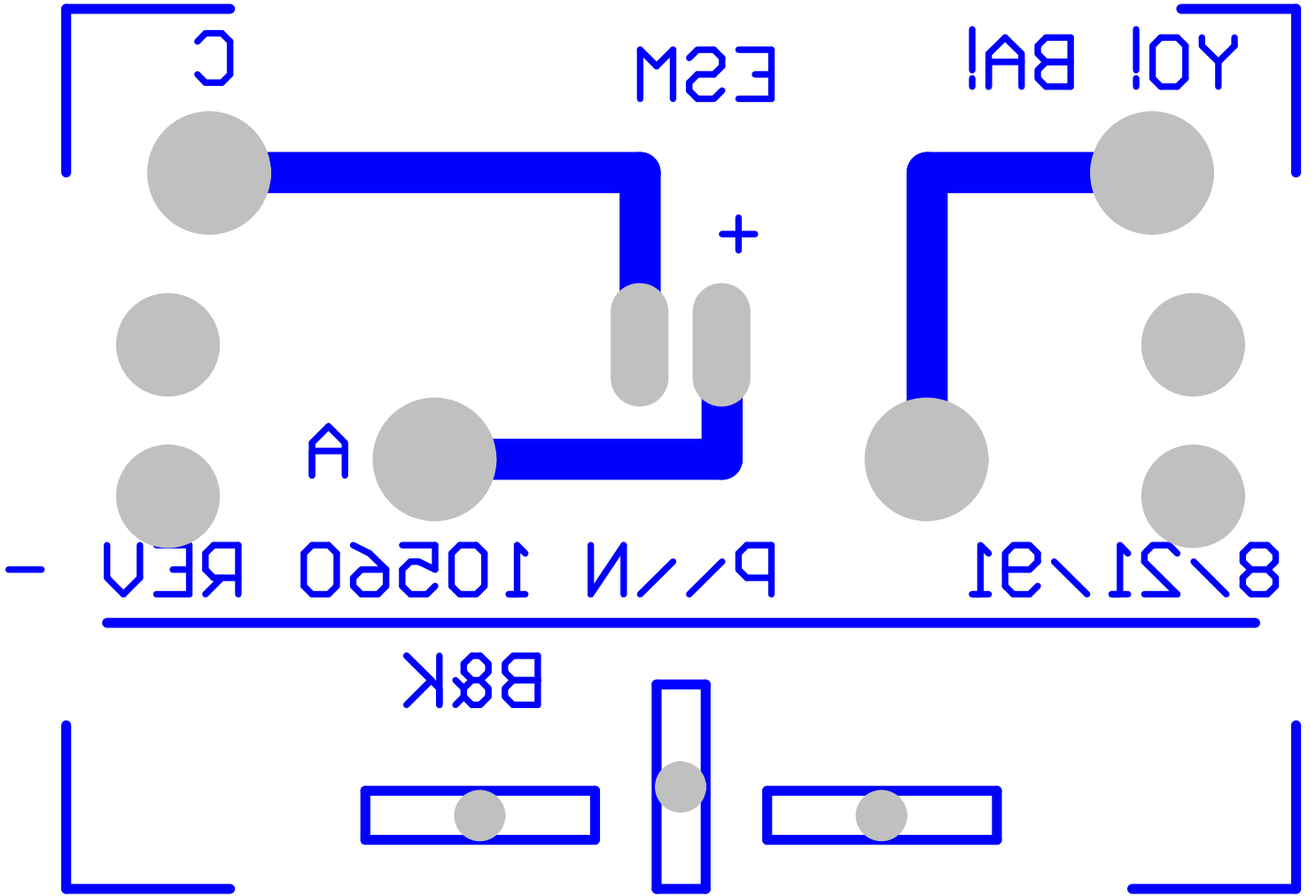
R288

R289

R290

R291

R292





# Bill of Materials

## BOM's

B&K COMPONENTS, LTD.  
2100 Old Union Road  
Buffalo, New York 14227-2725  
U.S.A.

Bill of Material for P/N 10842  
ST1400/ST1400M/ST2020/ST3030/EX4420/EX4420M/TX4430 AMP BOARD WITH  
CONTROL I/OF

Comment	Pattern	Quantity	Components
.12uF	RAD200	2	C15, C16
.47 5W	R5W.S	10	RP1, RP2, RP3, RP4, RP5, RP6, RP7, RP8, RP9, RP10
1.5K	RES500	1	R1
100uF 100V	CAP200RP	2	C12, C13
100uF 25V	CAP200RP	3	C2, C10, CT
10K	RES500	2	R19, R36
10uF 25V	CAP200RP	2	C1, C14
120pF	RAD200	1	C3
133	RES500	1	R6
1K	RES400	1	R24
1.5K	RES500	10	R16, R17, R22, R23, R27, R28, R29, R30, R35, R43
1N4148	DIODE.4	1	D4
1N4751	D0-35	1	D1
1N4751	DIODE.4	1	D3
1N965B	DIODE.4	1	D2
2.26K	RES500	3	R5, R11, R39
221	RES500	5	R3, R4, R7, R8, R12
221K	RES500	1	R40
2N3440	TO5	1	Q12
2N5087 M	TO92	2	Q7, Q8
2N5210 M	TO92	4	Q1, Q2, Q5, Q6
2N5210 U	TO92	4	Q3, Q4, Q10, Q11
2N5401	TO92	1	Q13
2N5416	TO5	1	Q9
33.2K	RES500	4	R2, R9, R13, R44
47.5	RES500	2	R15, R26
47.5K	RES400	2	R20, R31
47.5K	RES500	1	R42
475	RES500	1	R25
5 MOLEX M	MOLEX5	1	CON1
500	POT	2	P1, P2
FUSE 6A SB	FUSE.3AG	2	F1, F2
JUMPER	JUMP.5	1	J1
JUMPER	RES400	4	R14, R21, R37, R38
JUMPER	RES500	1	R10
OPEN	CAP200RP	2	C6, C7
OPEN	RAD200	3	C8, C9, C11
SJ162	TO3P	5	QP1, QP2, QP3, QP4, QP5
SK1058	TO3P	5	QN1, QN2, QN3, QN4, QN5

Bill of Material for P/N 10611  
 POWER SUPPLY BOARD FOR LARGE CHASSIS AMPS

Comment	Pattern	Quantity	Components
100 2W	AXIAL0.7	2	R1, R2
10K	RES500	2	R3, R8
133	RES500	1	R10
15000uF 75V	PCAP.BIG	4	C1, C2, C3, C4
1K	RES500	1	R5
1N4002	D0-35	3	D1, D3, D7
1N4148	D0-35	6	D2, D5, D6, D8, D10, D11
1N965B	D0-35	2	D4, D9
2.2K 5W	RES5WAXIAL	1	R7
2N5551	TO92	2	Q1, Q4
33.2K	RES500	1	R9
33nF	RAD200	1	C5
400V 40A	BRIDGE.HP	2	BR1, BR2
5 PIN	MOLEX5	1	CON3
5.62	RES500	1	R6
JUMPER	JUMP.5	1	J6
JUMPER	JUMP.8	13	J2, J3, J4, J5, J7, J8, J9, J10, J11, J12, J13, J14, J15
JUMPER	RES500	1	R4
PCB FASTON	FASTON.25	6	CON4, CON5, CON6, CON7, CON8, CON9
TIP31C	TO220	1	Q3
TIP32C	TO220	1	Q2
OPEN	AXIAL500	1	J1