

WE SIMPLY SOUND BETTER.

Reference 200.7-200.5

SERVICE MANUAL

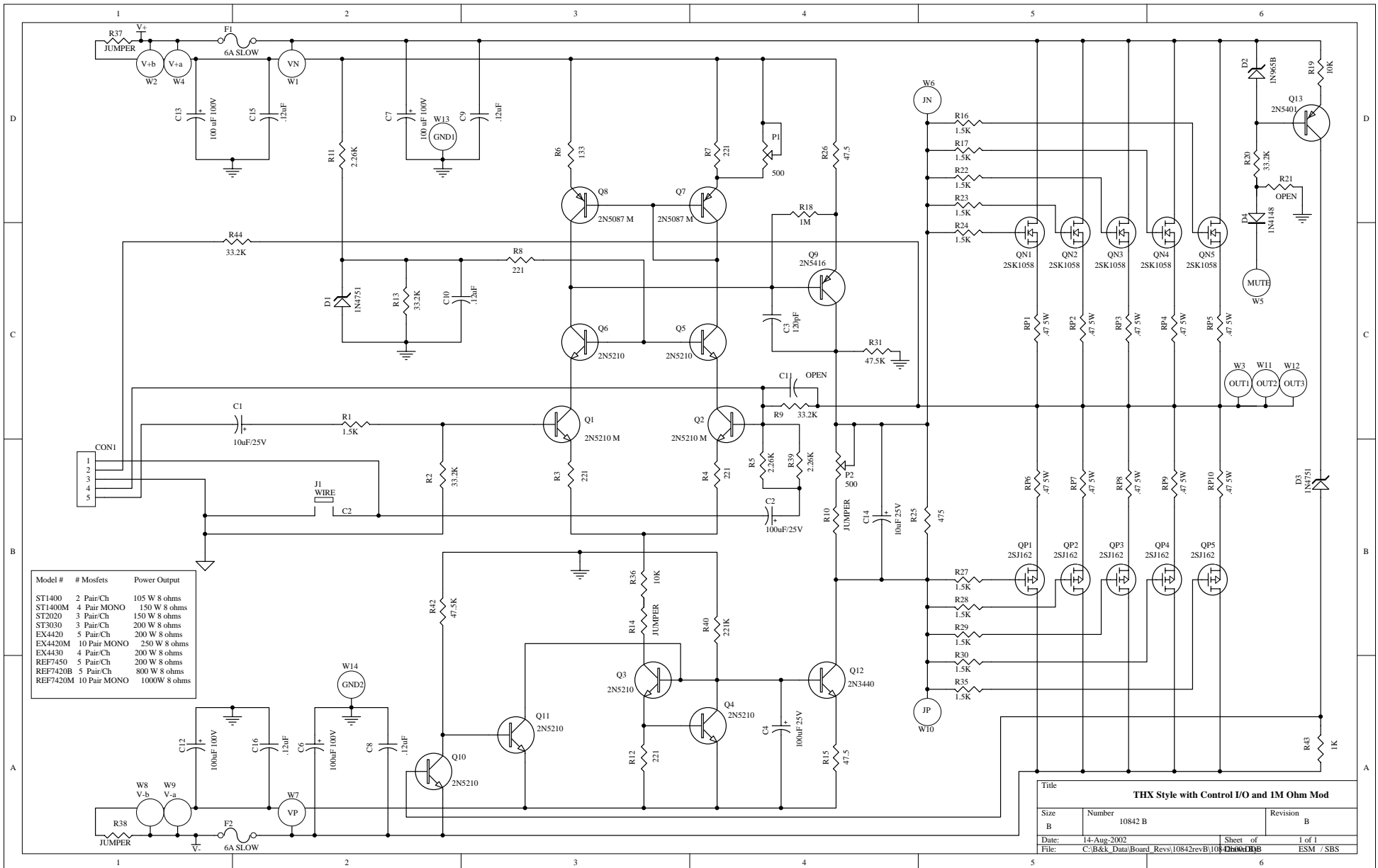
B&K COMPONENTS, LTD.
2100 Old Union Road
Buffalo, New York 14227-2725
U.S.A.

B & K

WE SIMPLY SOUND BETTER.

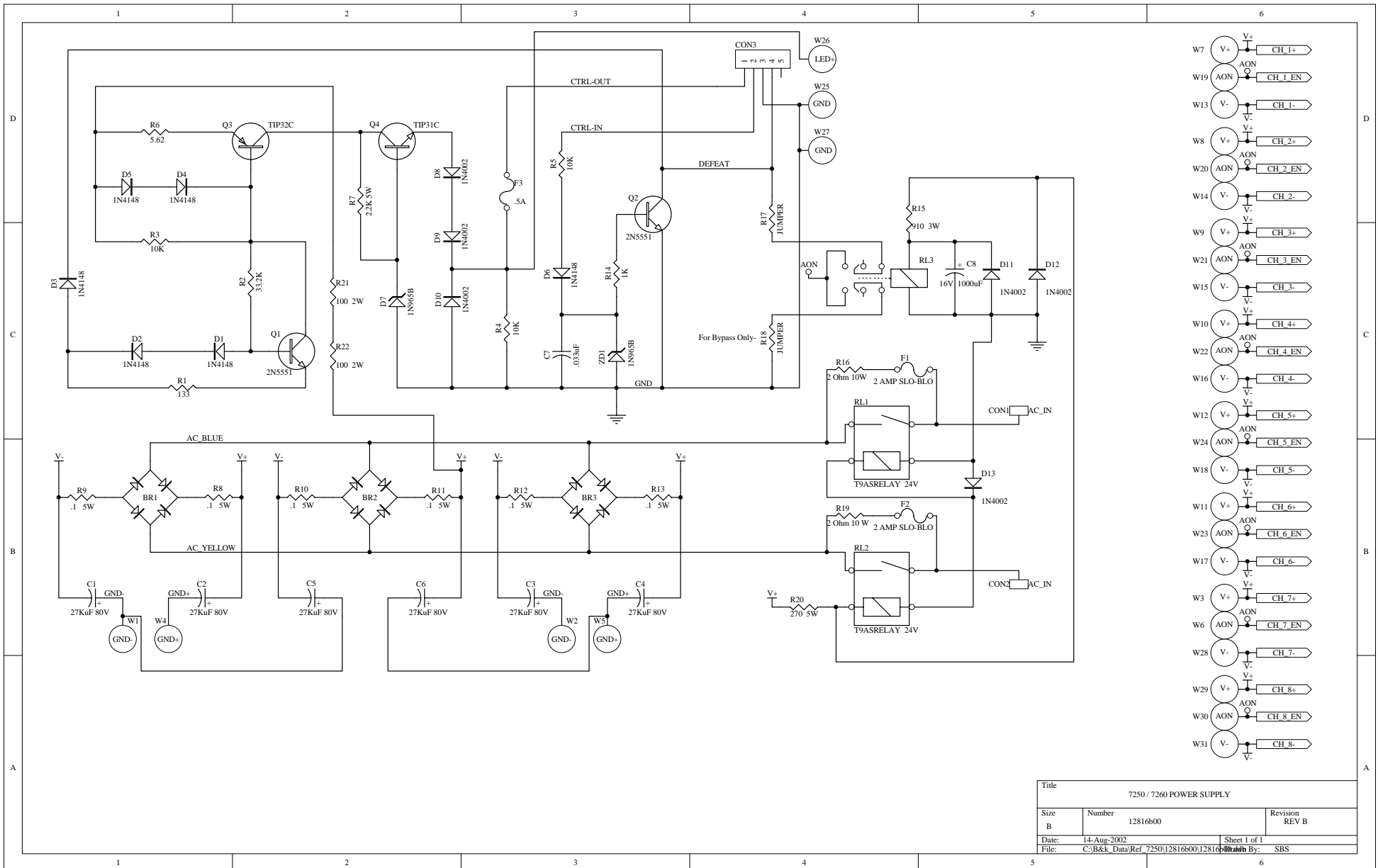
Schematics

B&K COMPONENTS, LTD.
2100 Old Union Road
Buffalo, New York 14227-2725
U.S.A.

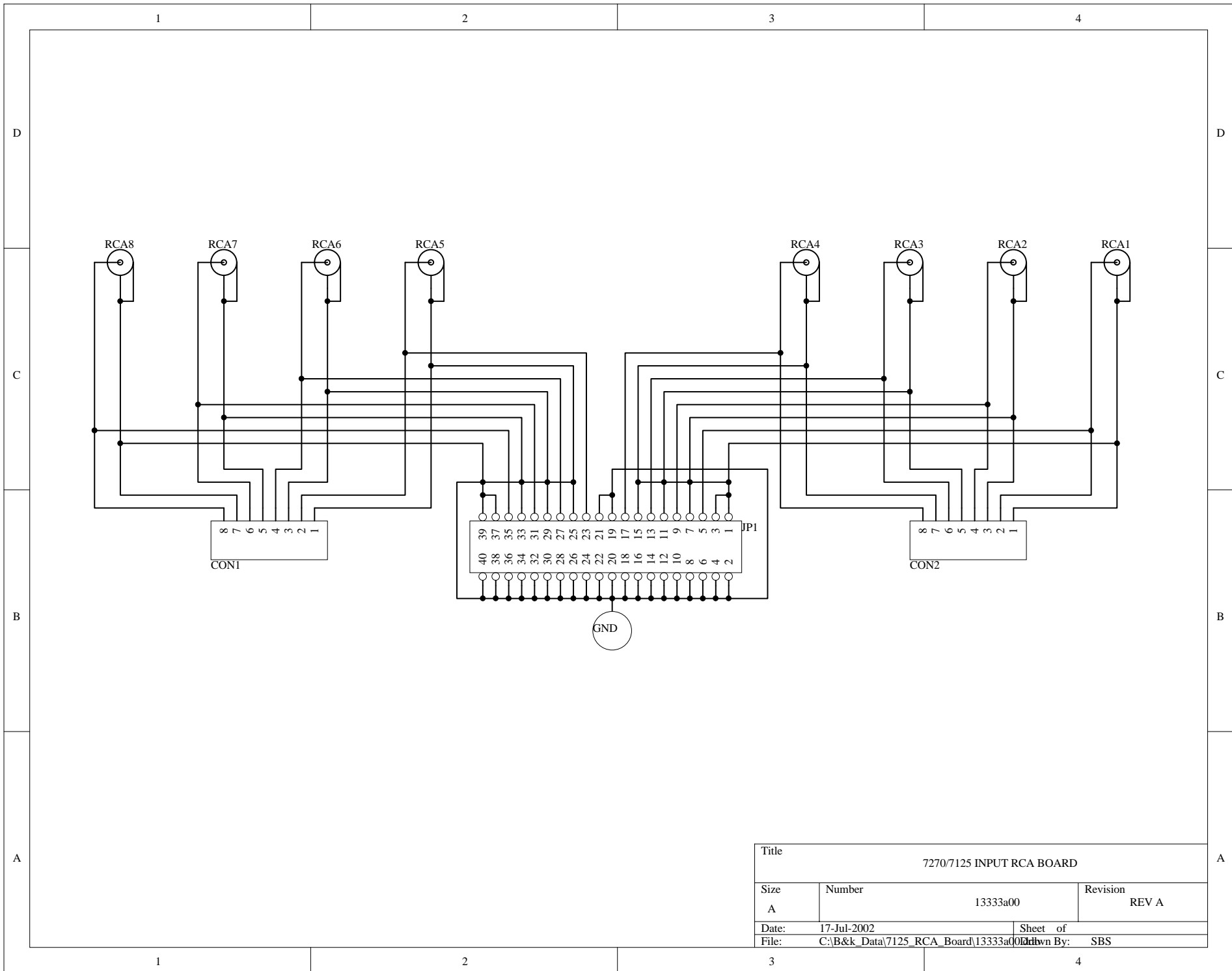


Model #	# Mosfets	Power Output
ST1400	2 Pair/Ch	105 W 8 ohms
ST1400M	4 Pair MONO	150 W 8 ohms
ST2020	3 Pair/Ch	150 W 8 ohms
ST3030	3 Pair/Ch	200 W 8 ohms
EX4420	5 Pair/Ch	200 W 8 ohms
EX4420M	10 Pair MONO	250 W 8 ohms
EX4430	4 Pair/Ch	200 W 8 ohms
REF7450	5 Pair/Ch	200 W 8 ohms
REF7420B	5 Pair/Ch	800 W 8 ohms
REF7420M	10 Pair MONO	1000W 8 ohms

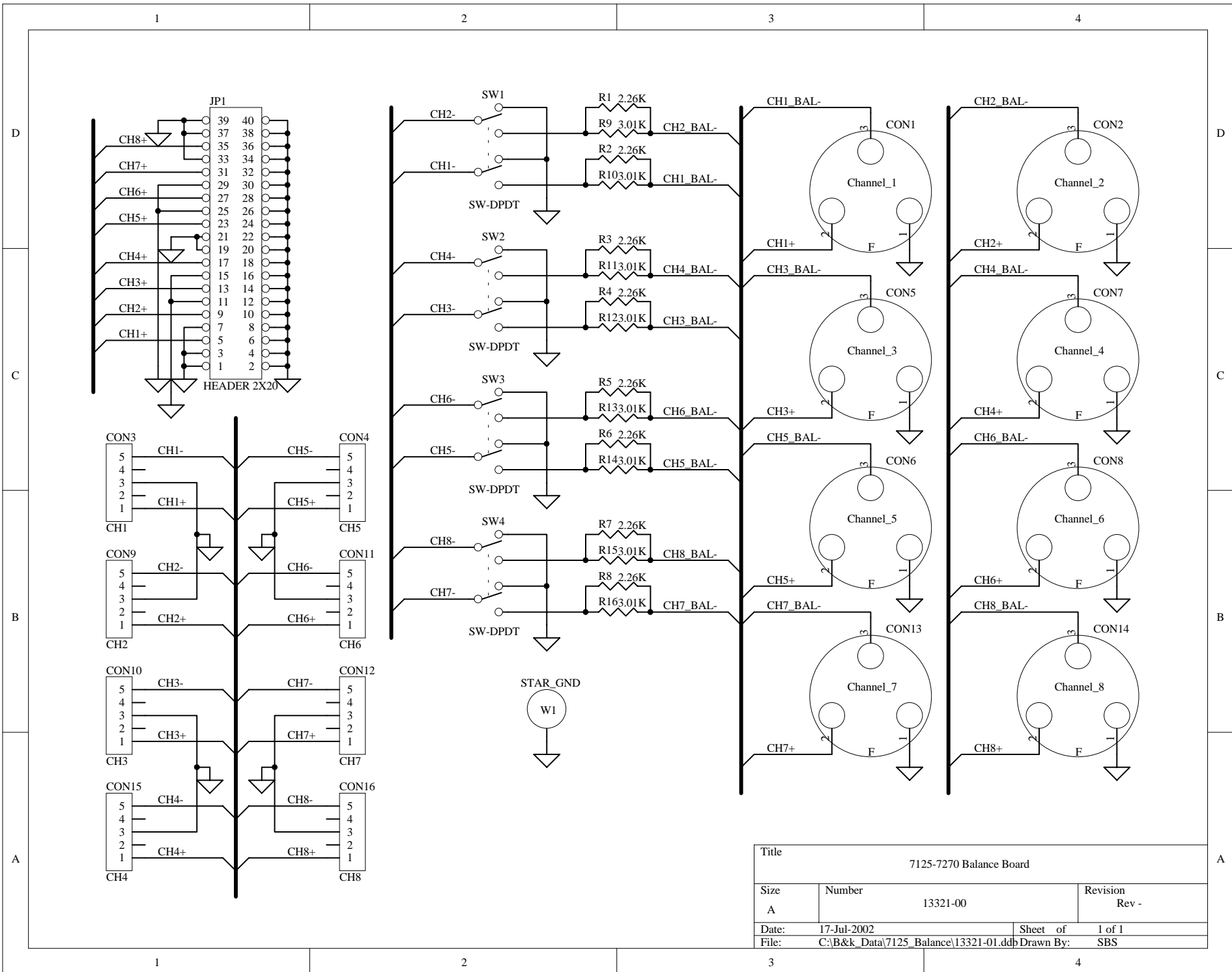
Title			
Size	Number	Revision	
B	10842 B	B	
Date:	14-Aug-2002	Sheet of	1 of 1
File:	C:\B&k Data\Board Revs\10842revB\10842B001.B	ESM / SBS	



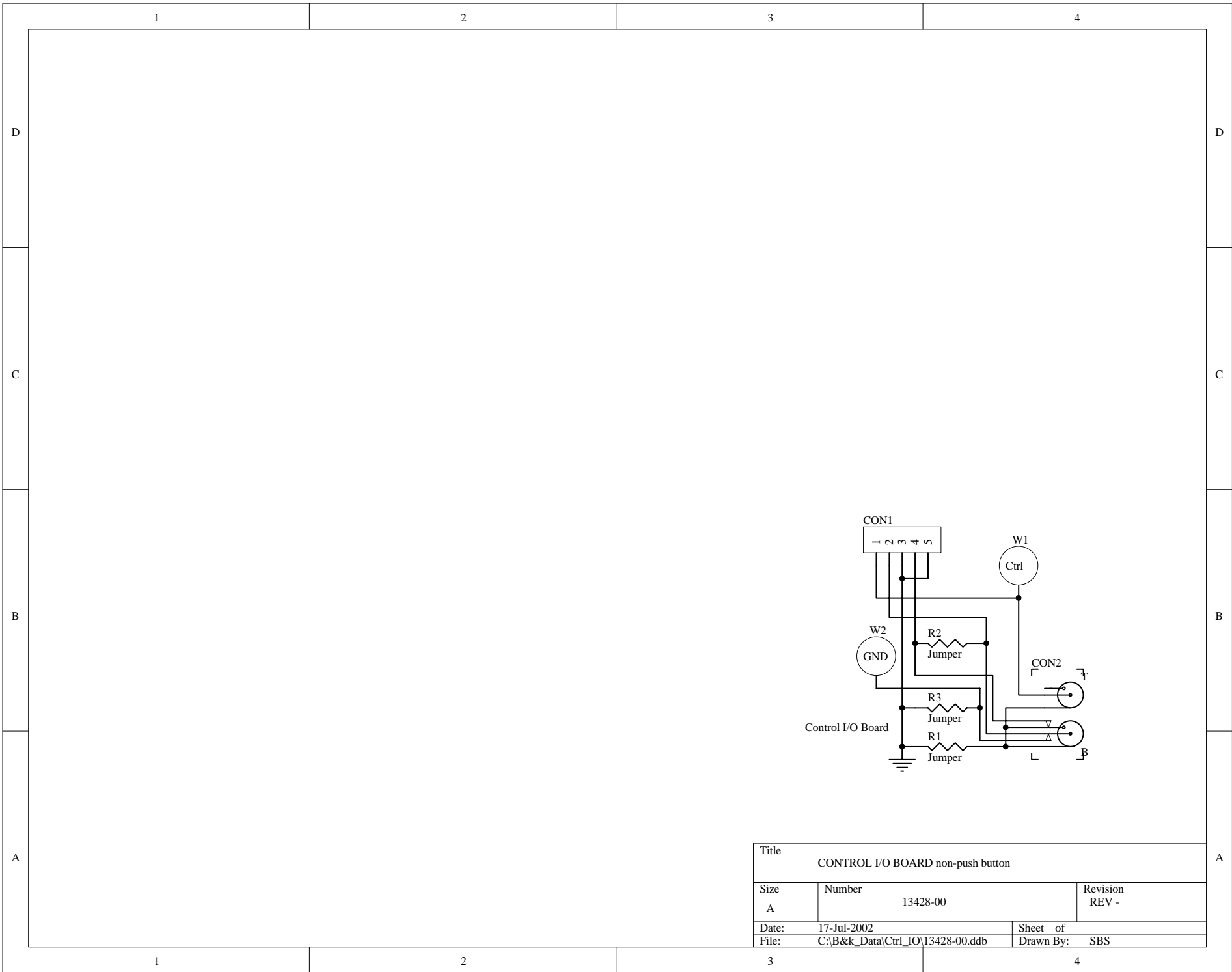
Title		7250 / 7260 POWER SUPPLY	
Size	Number	Revision	
B	1281600	REV B	
Date:	14-Aug-2002	Sheet 1 of 1	
File:	C:\B&k_Data\Ref_7250\1281600\1281600.dwg	SBS	



Title			7270/7125 INPUT RCA BOARD		
Size	Number			Revision	
A		13333a00		REV A	
Date:	17-Jul-2002		Sheet of		
File:	C:\B&k_Data\7125_RCA_Board\13333a00		Drawn By: SBS		



Title			7125-7270 Balance Board		
Size	Number	Revision		Rev -	
A	13321-00				
Date:	17-Jul-2002	Sheet of	1 of 1		
File:	C:\B&k_Data\7125_Balance\13321-01.ddb	Drawn By:	SBS		



Title			CONTROL I/O BOARD non-push button		
Size	Number			Revision	
A	13428-00			REV -	
Date:	17-Jul-2002	Sheet	of		
File:	C:\B&k_Data\Ctrl_IO\13428-00.ddb	Drawn By:	SBS		