

WE SIMPLY SOUND BETTER.

HD6

SERVICE MANUAL

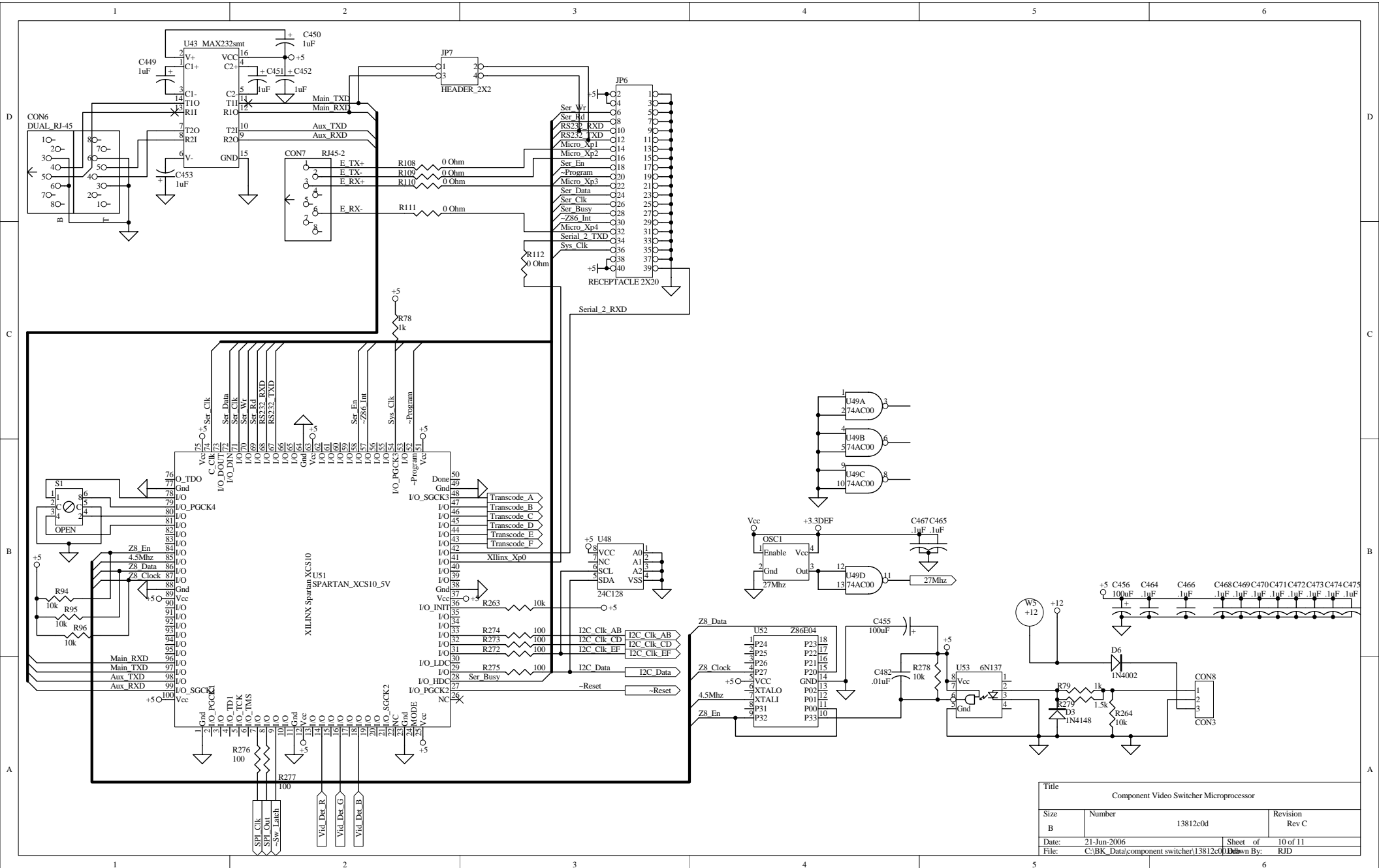
B&K COMPONENTS, LTD.
2100 Old Union Road
Buffalo, New York 14227-2725
U.S.A.

B & K

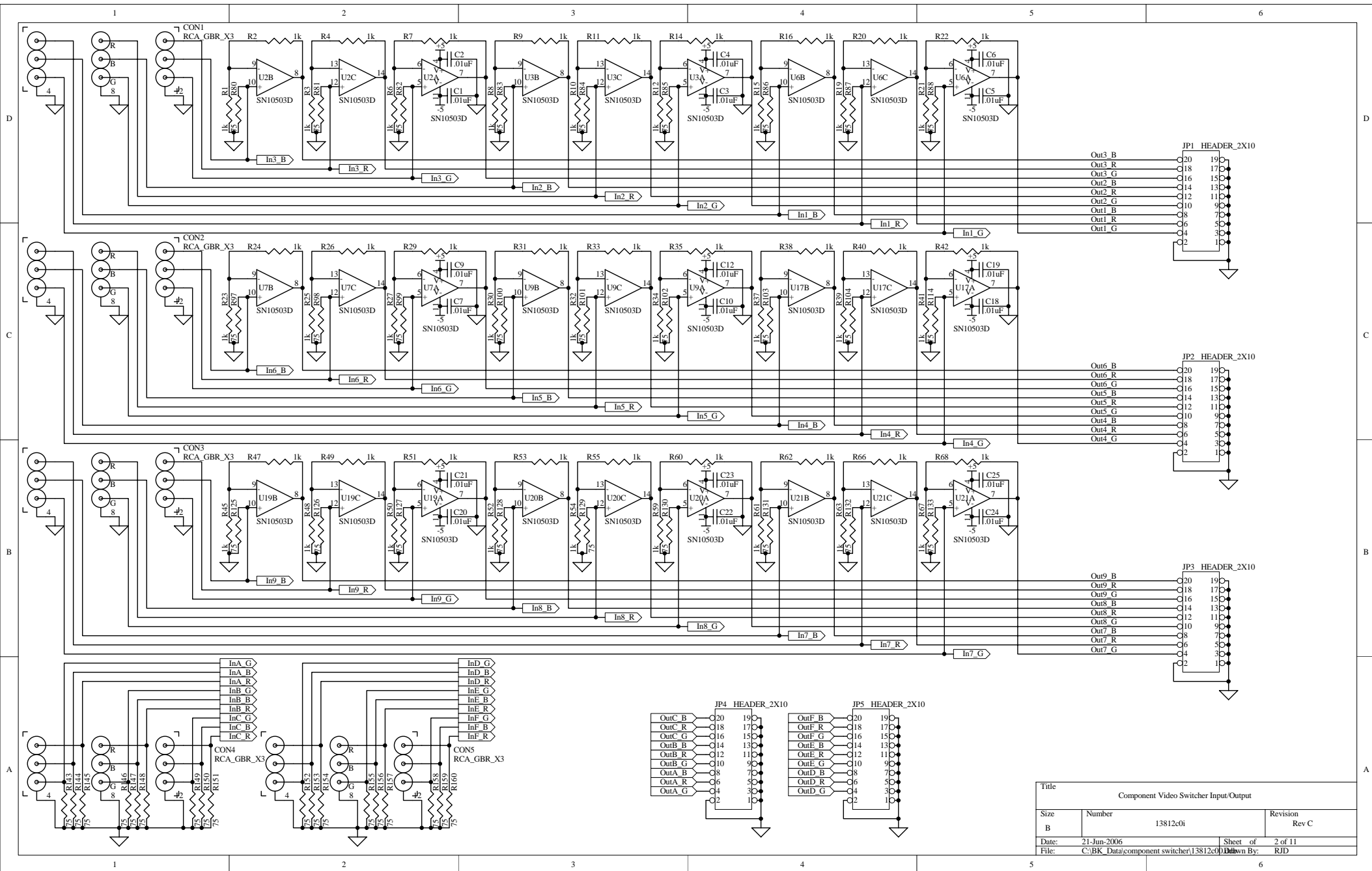
WE SIMPLY SOUND BETTER.

Schematics

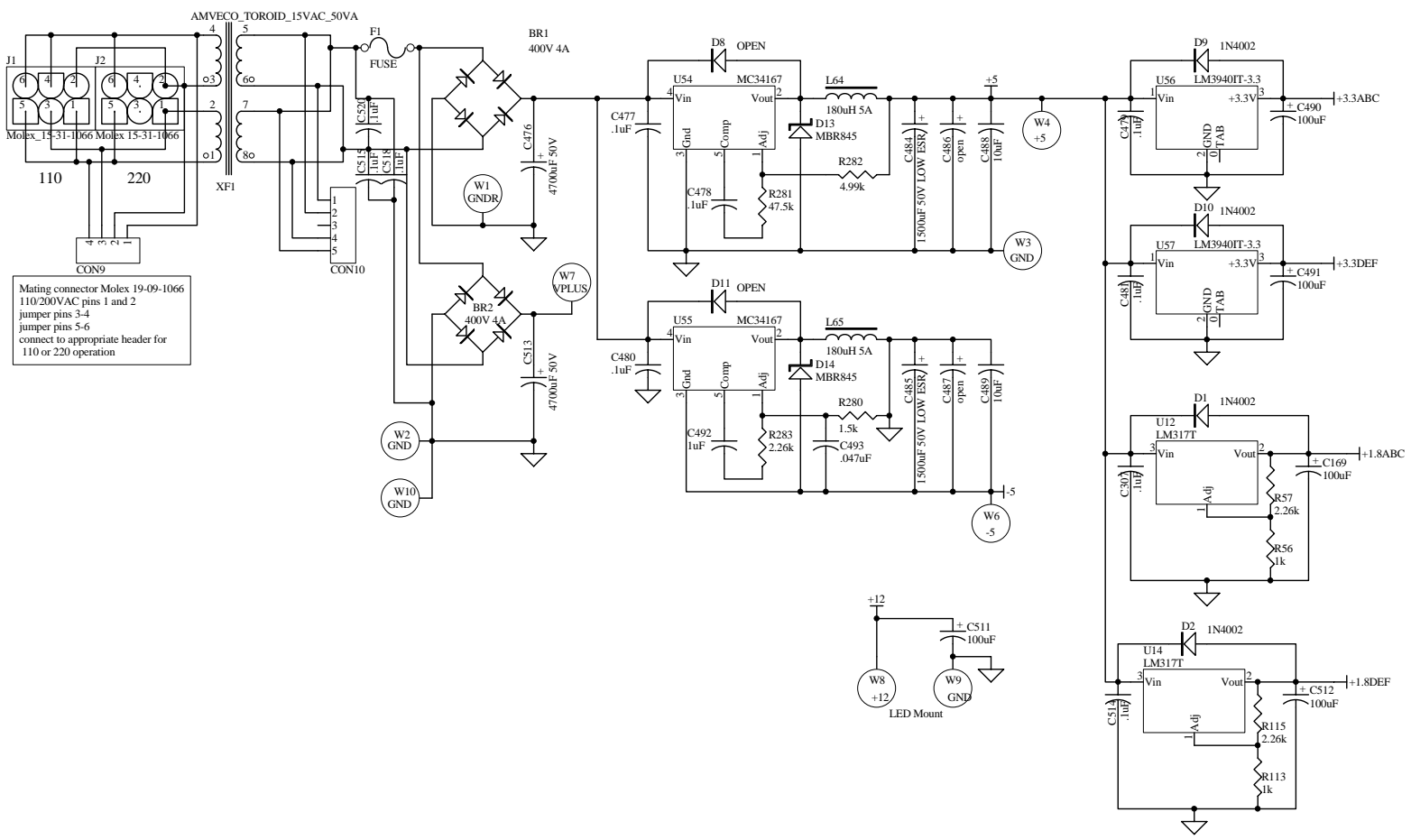
B&K COMPONENTS, LTD.
2100 Old Union Road
Buffalo, New York 14227-2725
U.S.A.



Title			
Component Video Switcher Microprocessor			
Size	Number	Revision	Rev C
B	13812c0d		
Date:	21-Jun-2006	Sheet of	10 of 11
File:	C:\BK_Data\component switcher\13812c0d	Drawn By:	RJD

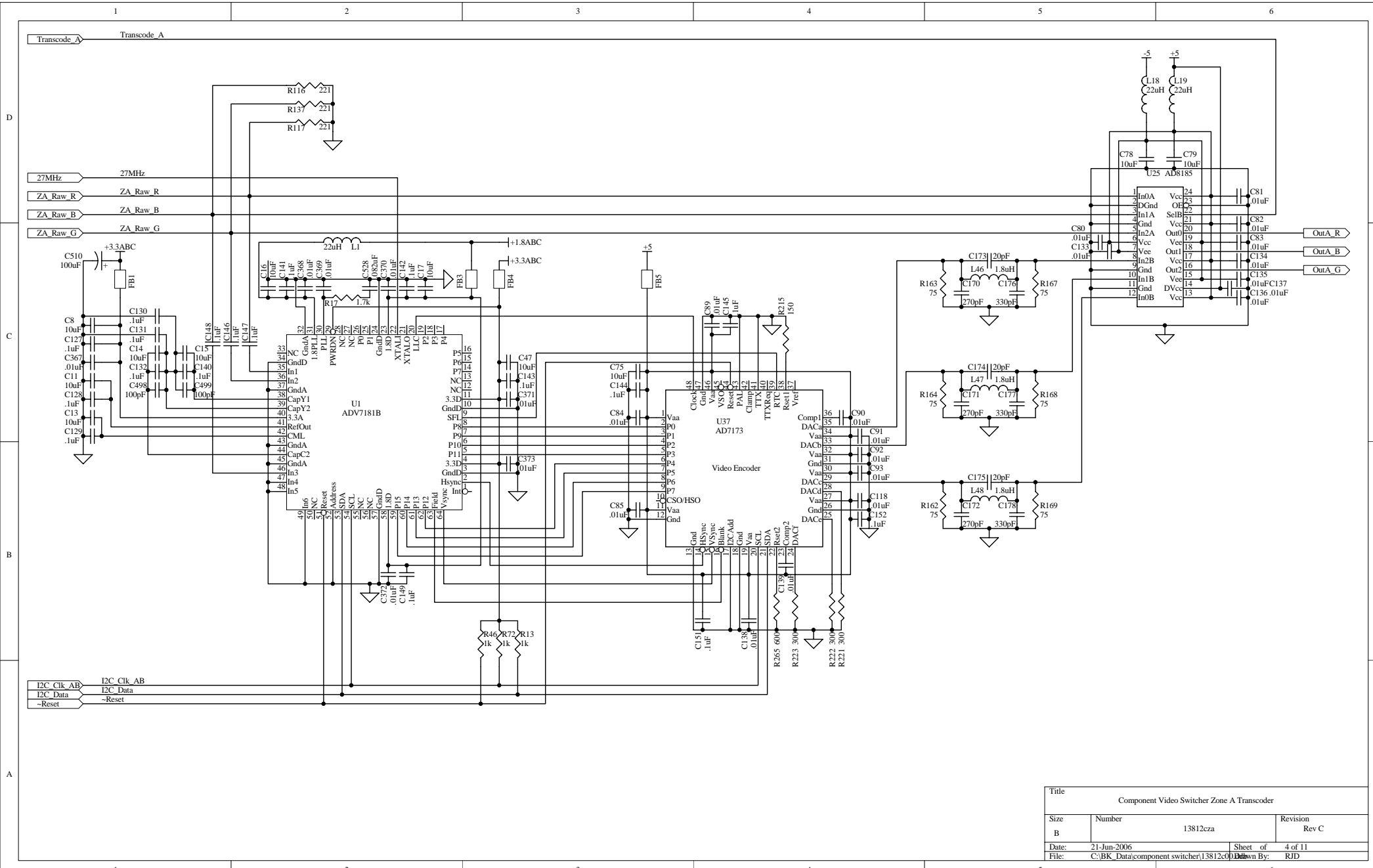


Title			
Component Video Switcher Input/Output			
Size	Number	13812e0i	Revision
B			Rev C
Date:	21-Jun-2006	Sheet of	2 of 11
File:	C:\BK_Data\component switcher\13812e0i	Drawn By:	RJD

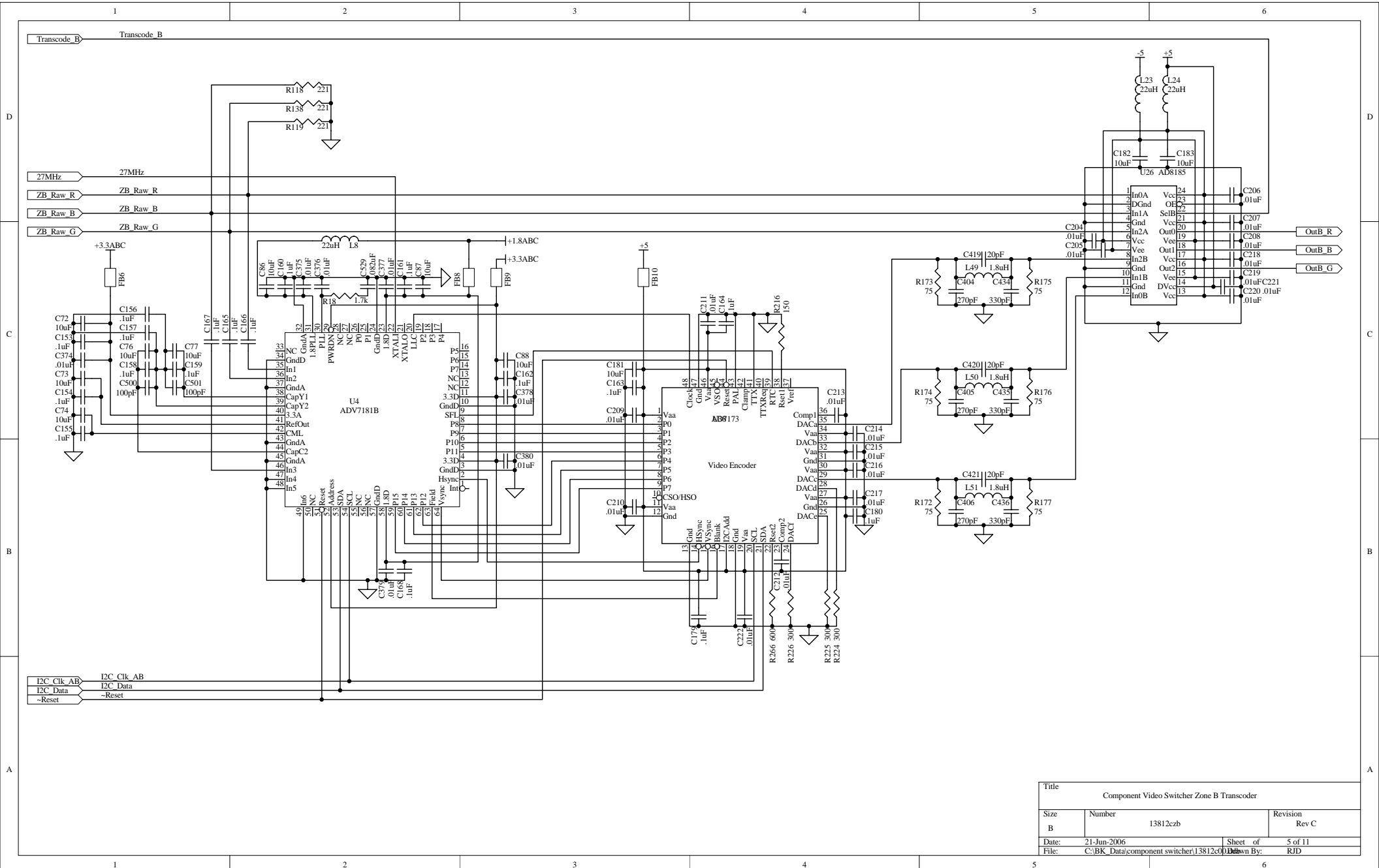


Mating connector Molex 19-09-1066
 110/200VAC pins 1 and 2
 jumper pins 3-4
 jumper pins 5-6
 connect to appropriate header for
 110 or 220 operation

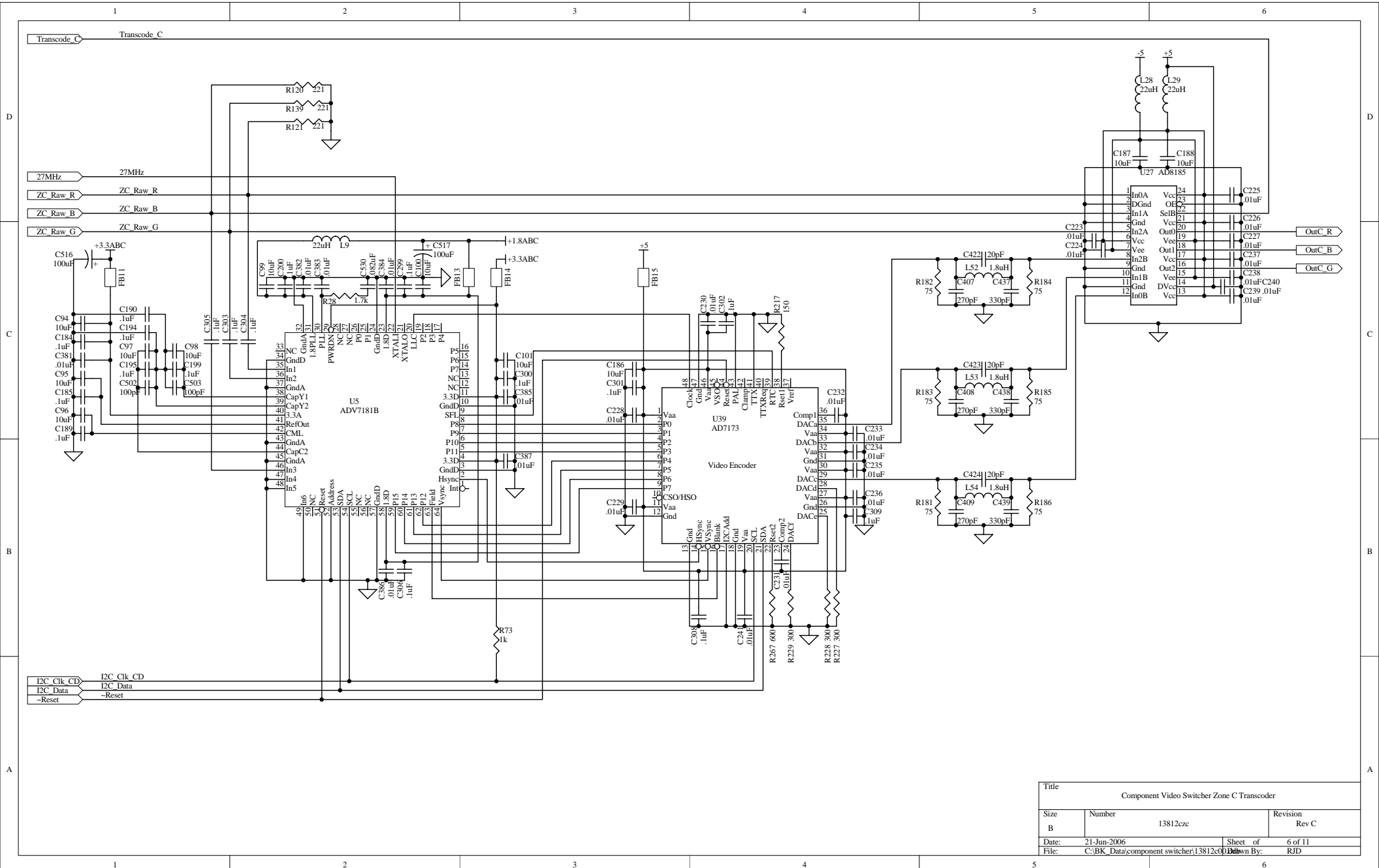
Title			
Component Video Switcher Power Supply			
Size	Number	Revision	Rev C
B	13812c0p		
Date:	21-Jun-2006	Sheet of	11 of 11
File:	C:\BK_Data\component switcher\13812c0p	Drawn By:	RJD



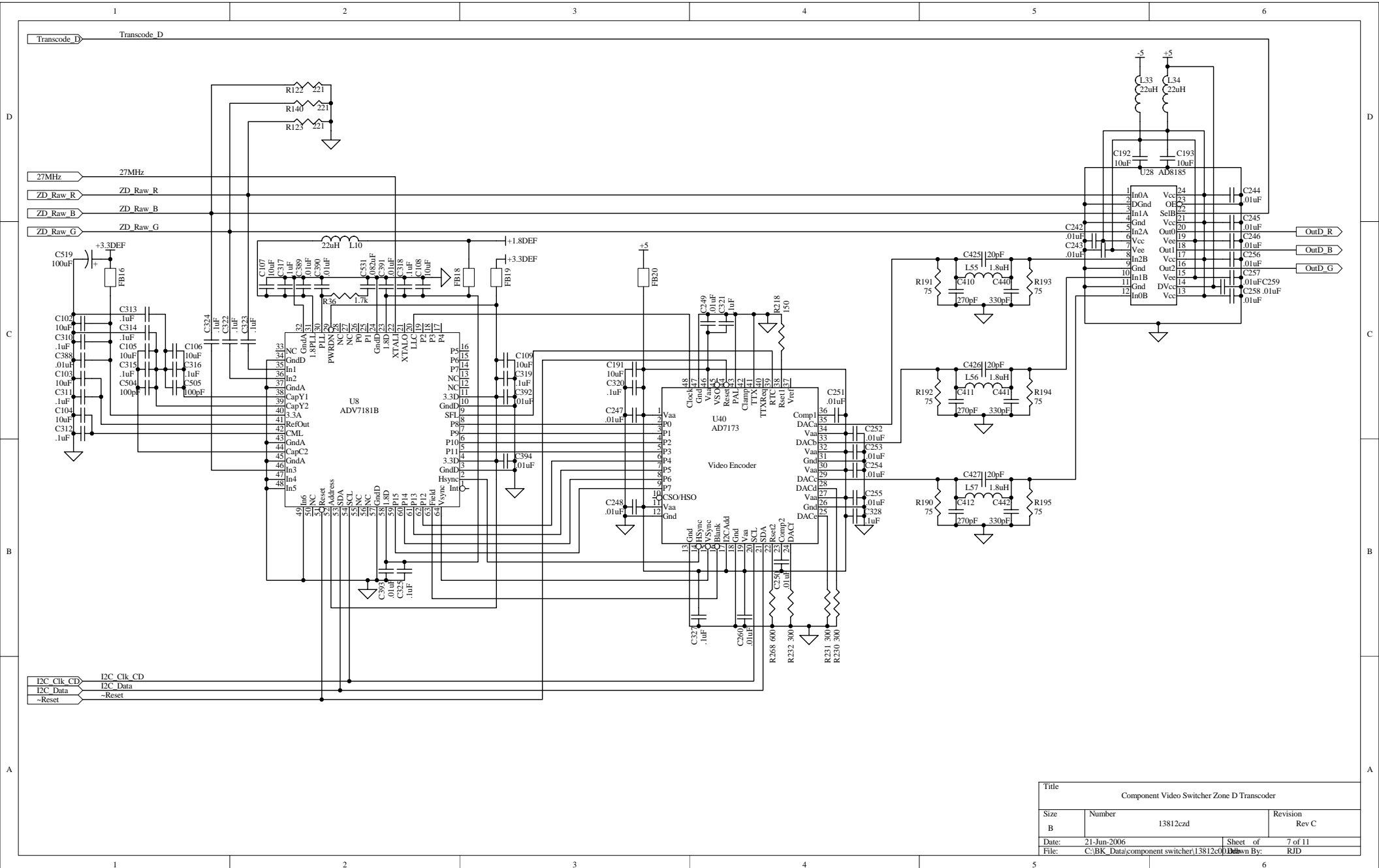
Title			
Component Video Switcher Zone A Transcoder			
Size	Number	Revision	
B	13812cza	Rev C	
Date:	21-Jun-2006	Sheet of	4 of 11
File:	C:\BK_Data\component switcher\13812c91	Drawn By:	RJD



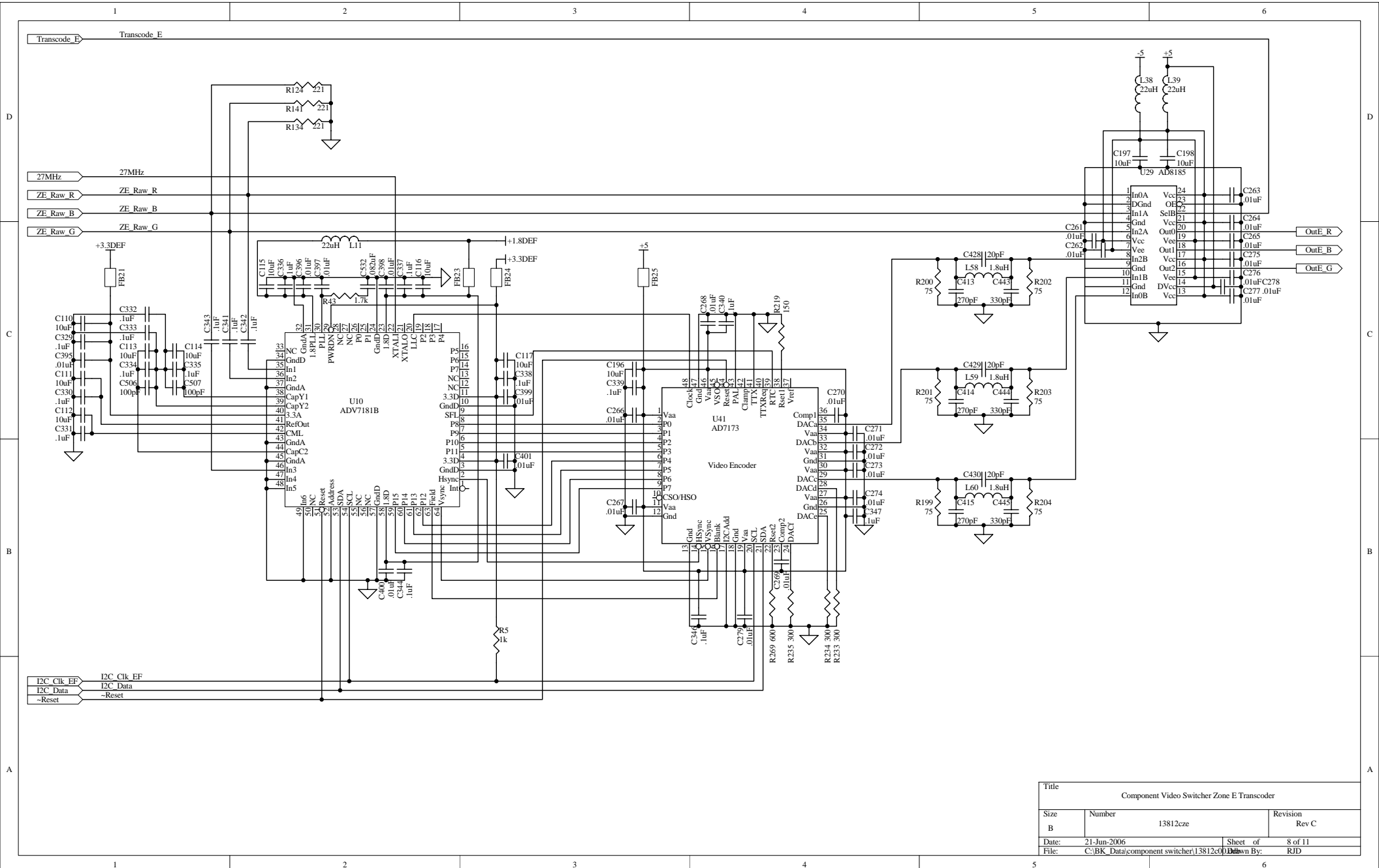
Title		
Component Video Switcher Zone B Transcoder		
Size	Number	Revision
B	13812zxb	Rev C
Date:	21-Jun-2006	Sheet of 5 of 11
File:	C:\BK_Data\component switcher\13812zxb	Drawn By: RJD



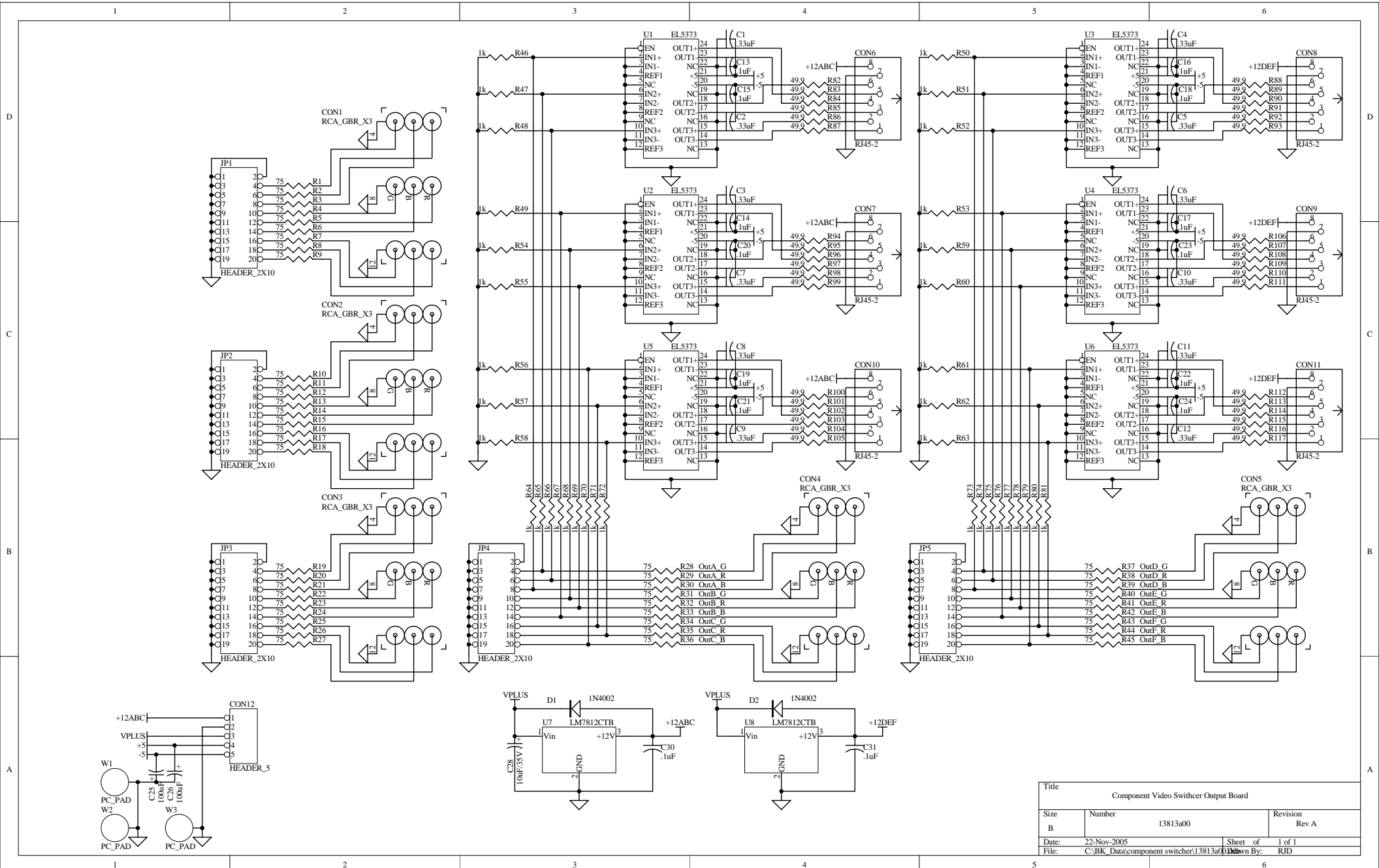
Title			
Component Video Switcher Zone C Transcoder			
Size	Number	Revision	
B	13812ezc	Rev C	
Date:	21-Jun-2006	Sheet of	6 of 11
File:	C:\BK_Data\component switcher\13812c91	Drawn By:	RJD



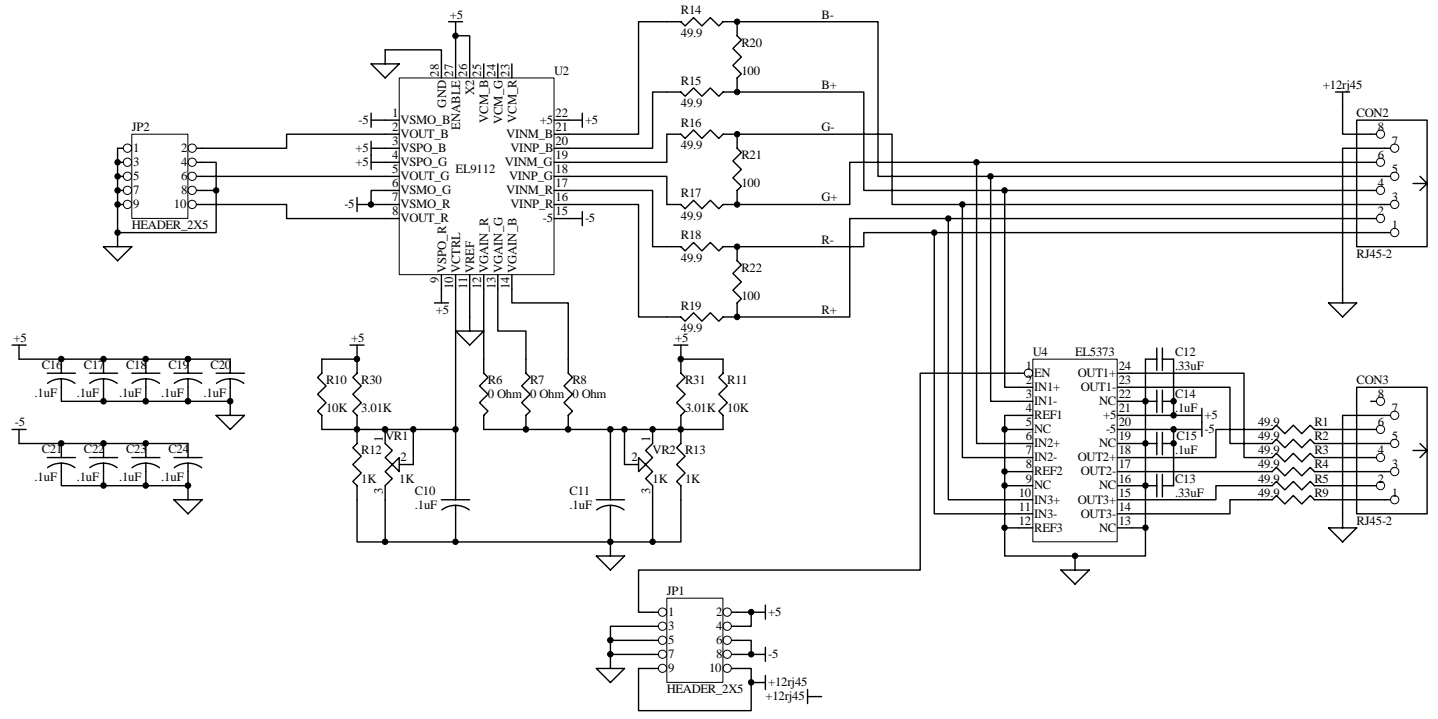
Title		
Component Video Switcher Zone D Transcoder		
Size	Number	Revision
B	13812ezd	Rev C
Date:	21-Jun-2006	Sheet of 7 of 11
File:	C:\BK_Data\component switcher\13812c91	Drawn By: RJD



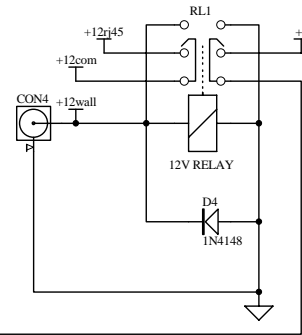
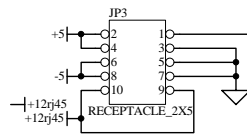
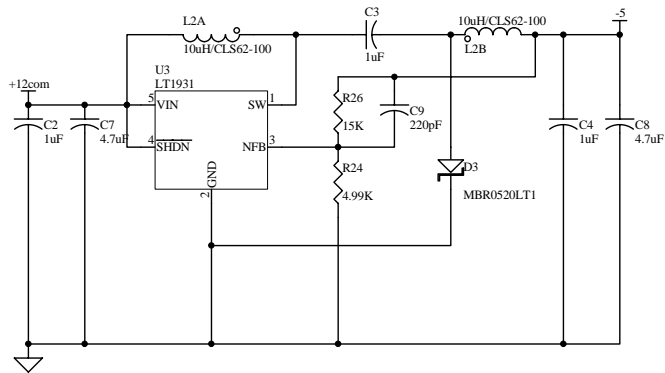
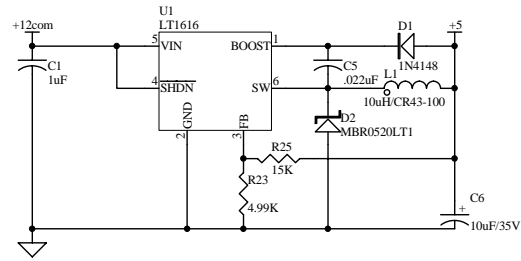
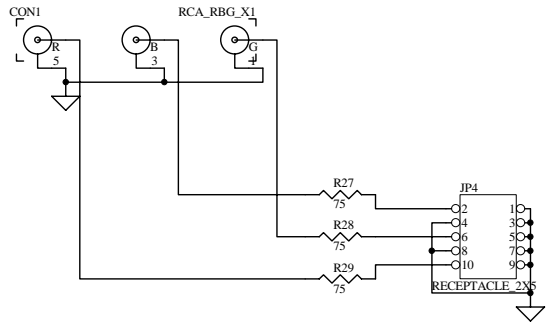
Title			
Component Video Switcher Zone E Transcoder			
Size	Number	Revision	
B	13812eze	Rev C	
Date:	21-Jun-2006	Sheet of	8 of 11
File:	C:\BK_Data\component switcher\13812e91	Drawn By:	RJD



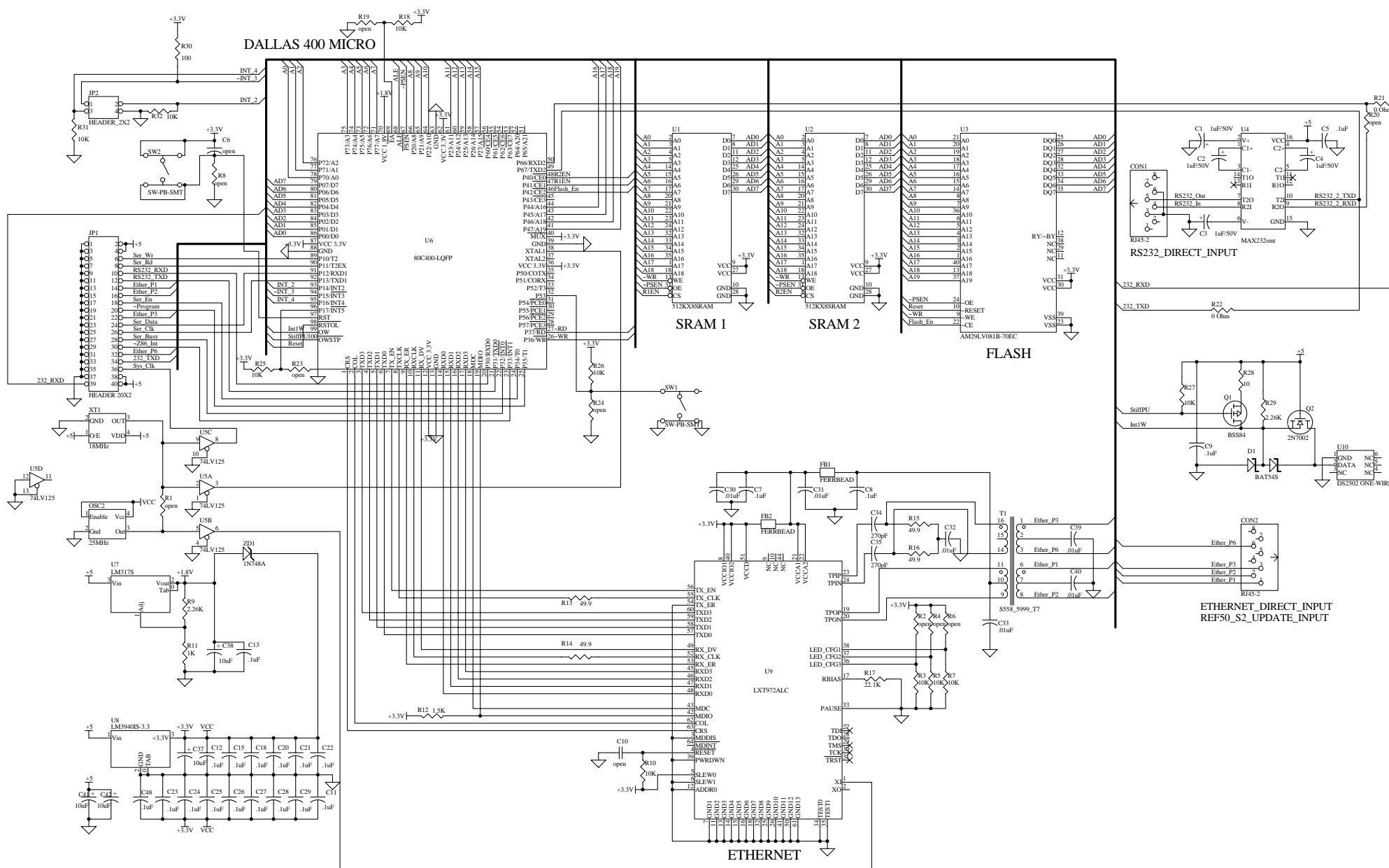
Title			
Component Video Switcher Output Board			
Size	Number	Revision	
B	13813a00	Rev A	
Date:	22-Nov-2005	Sheet of	1 of 1
File:	C:\BK_Data\component switcher\13813a00	Drawn By:	RJD



Title Component Video Switcher Cat5 to Component RCA widget board		
Size B	Number 13920a00	Revision Rev A
Date: 21-Jun-2006	Sheet of 1 of 1	Drawn By: SBS
File: C:\BK_Data\component switcher\13920a00		



Title Component Video Switcher Cat5 to Component RCA widget board		
Size B	Number 13894-00	Revision Rev A
Date: 21-Jun-2006	Sheet of 1 of 1	Drawn By: SBS
File: C:\BK_Data\component switcher\13894\0113894.dwg		



Title		
DALLAS 400 MICRO-CONTROLLER BOARD with RS-232 and Ethernet		
Size	Number	Revision
C	13827600	B
Date:	21-Jun-2006	Sheet of 1 of 1
File:	C:\BK_Data\C\Series_Atm_Stept_Board\044\WB_Files\13827600\RS232_ETH	