

WE SIMPLY SOUND BETTER.

CT MINI-STEP

SERVICE MANUAL

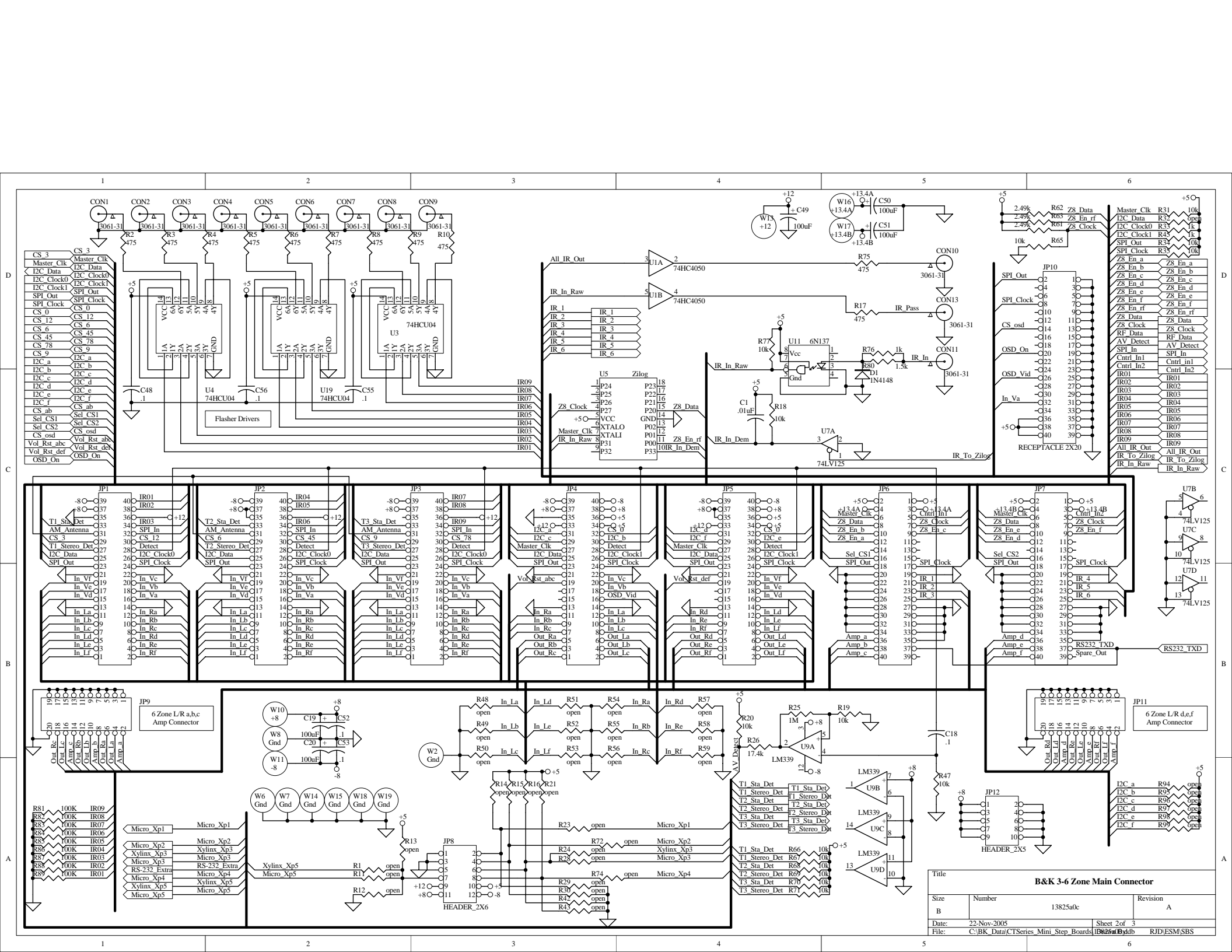
B&K COMPONENTS, LTD.
2100 Old Union Road
Buffalo, New York 14227-2725
U.S.A.

B & K

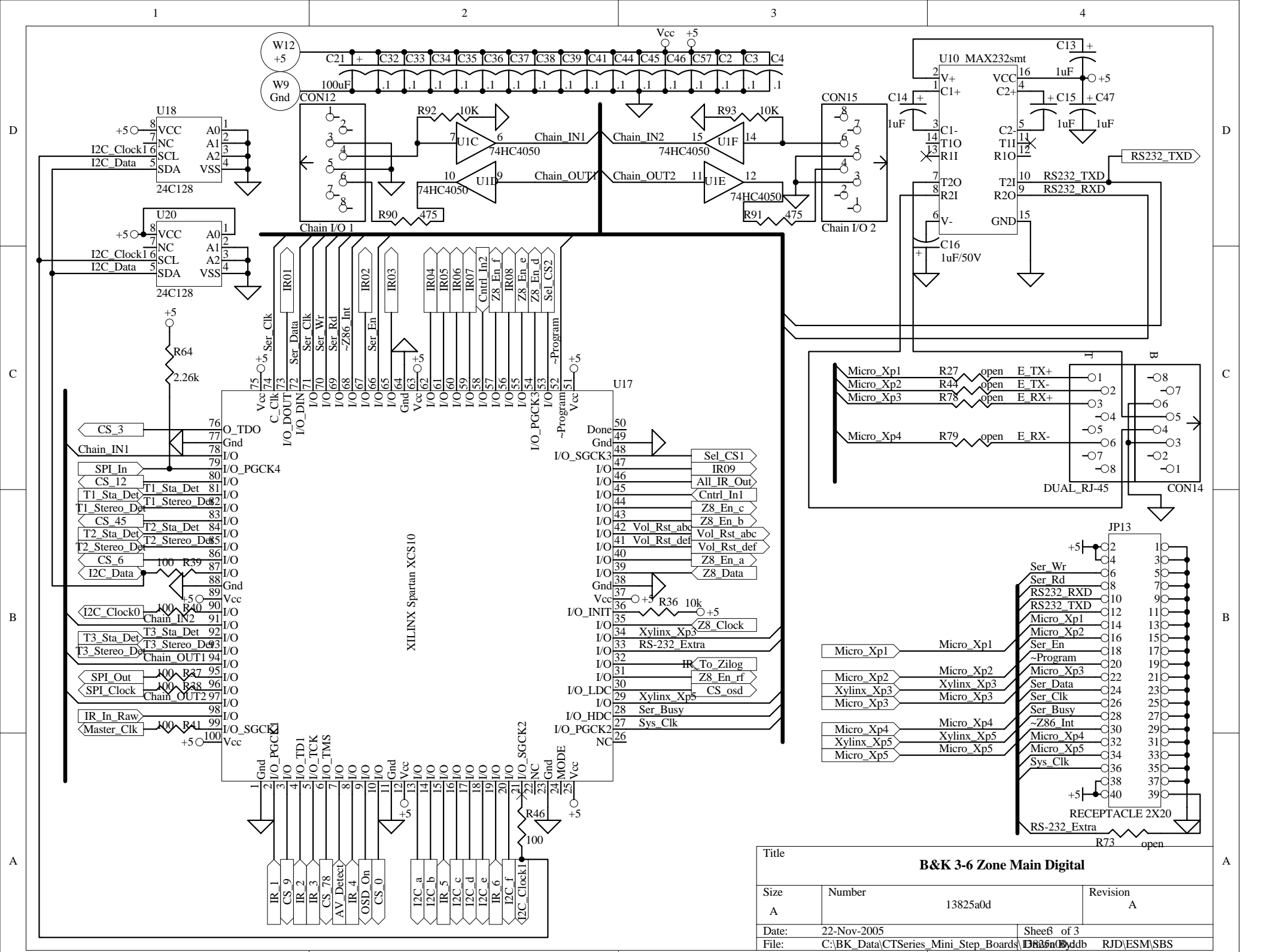
WE SIMPLY SOUND BETTER.

Schematics

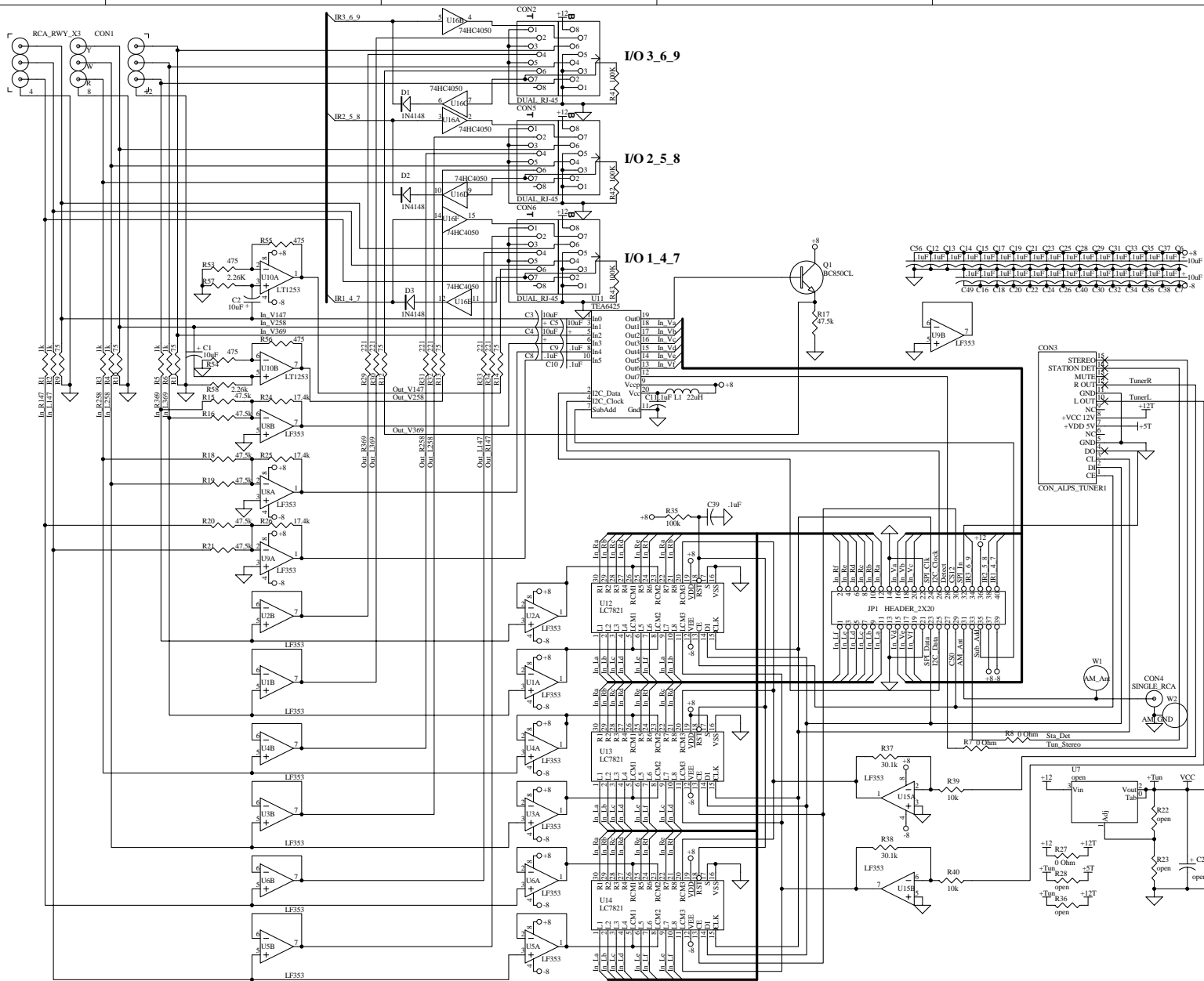
B&K COMPONENTS, LTD.
2100 Old Union Road
Buffalo, New York 14227-2725
U.S.A.



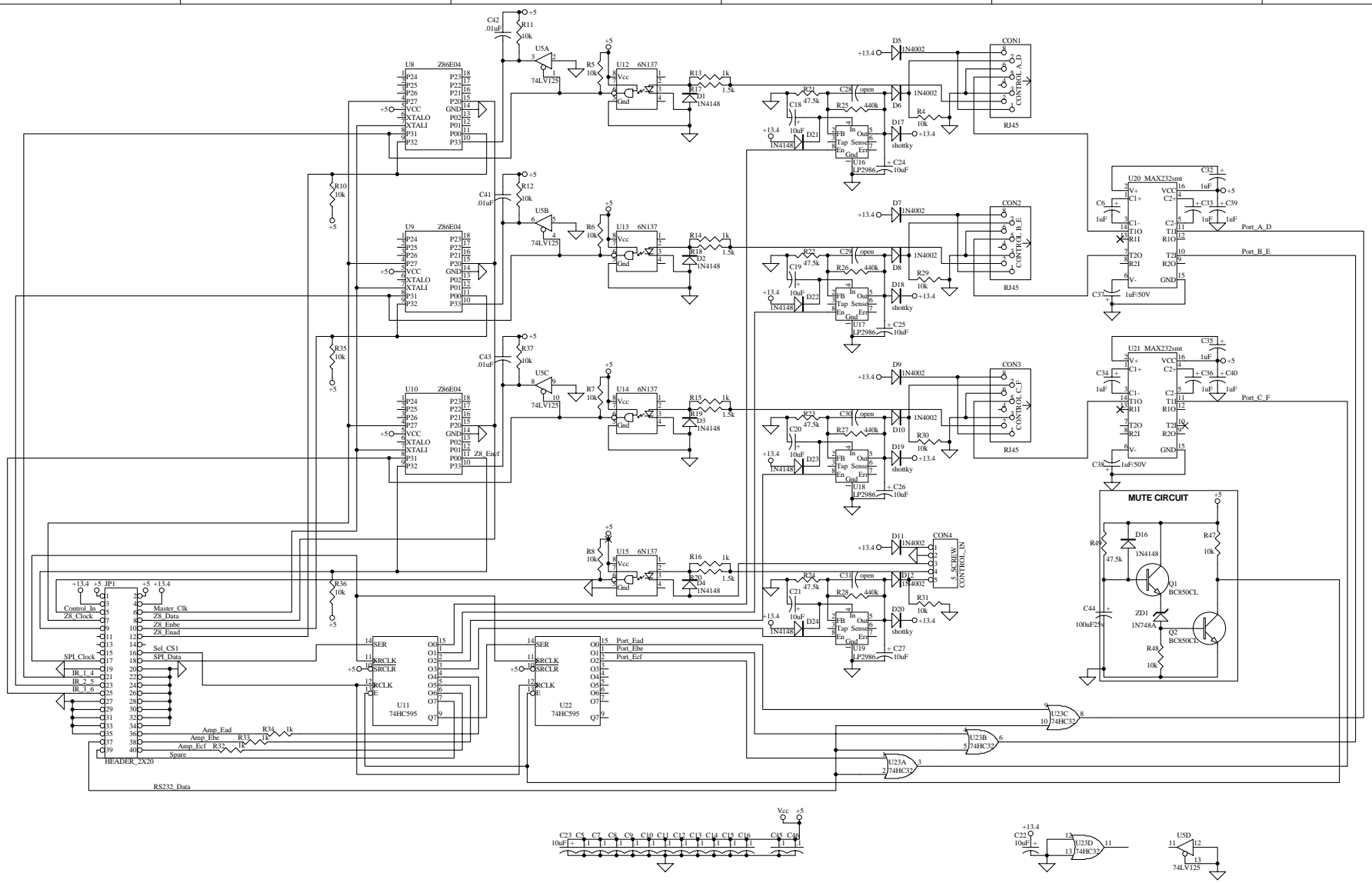
Title		
Size	Number	Revision
B	13825a0c	A
Date:	22-Nov-2005	Sheet 2of 3
File:	C:\BK_Data\CTSeries Mini Step Boards\13825a0c.dwg	RJD/ESM/SBS



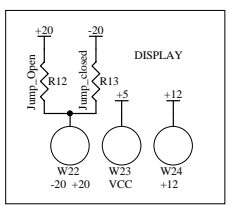
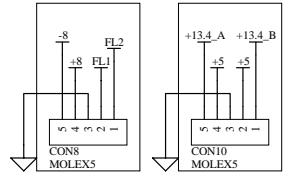
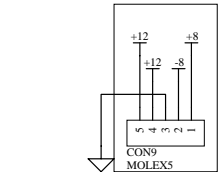
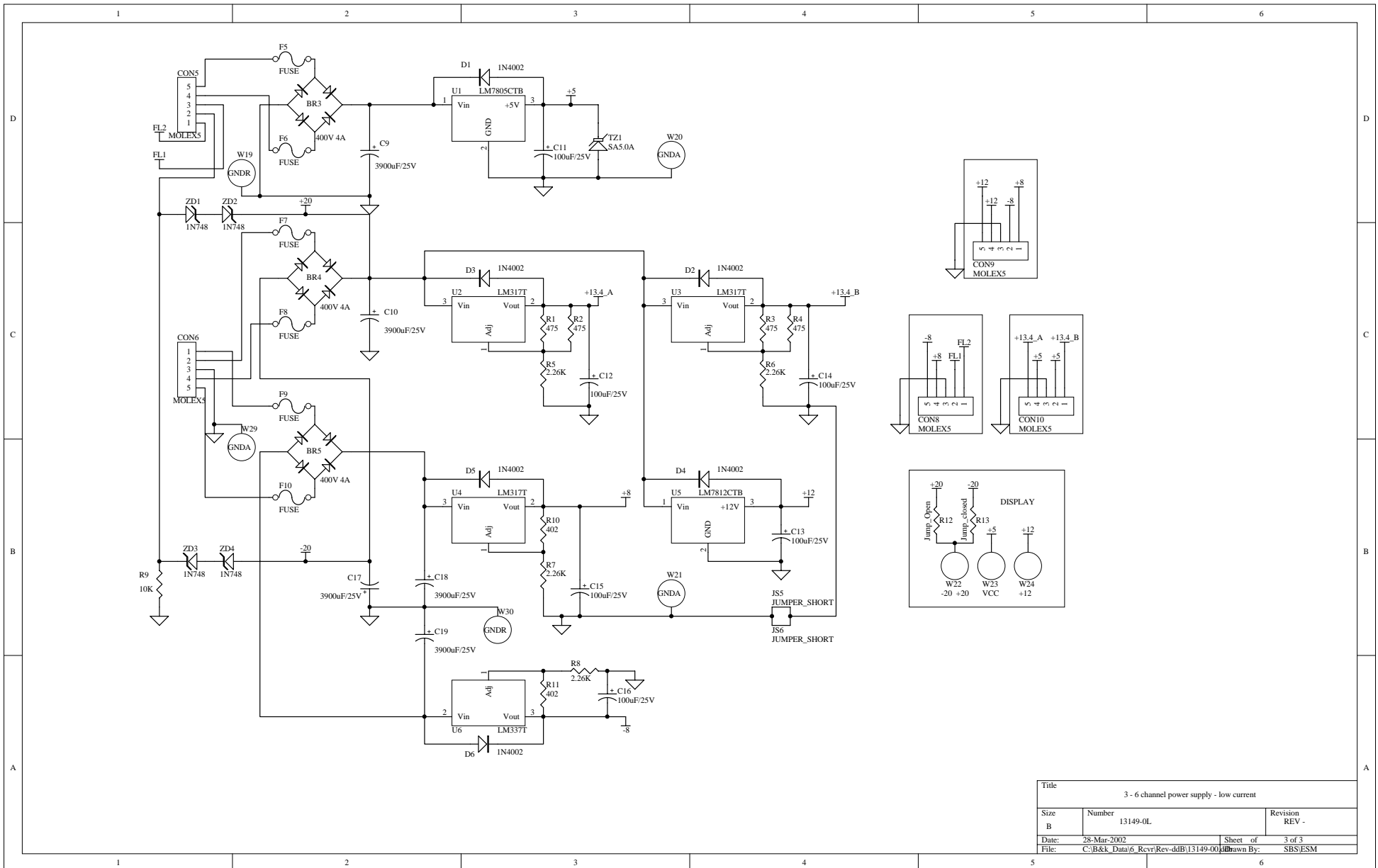
Title			B&K 3-6 Zone Main Digital		
Size	Number	Revision		A	
A	13825a0d				
Date:	22-Nov-2005	Sheet#		of 3	
File:	C:\BK_Data\CTSeries_Mini_Step_Boards\13825a0ddb	RJD/ESM/SBS			



Title	B&K 3-6 Channel IO Selector, Tuner	
Size	Number	Revision
C	13823a00	A
Date:	22-Nov-2005	Sheet of 1
File:	C:\Bk_Data\C\Series_Mini_Step_Board\B&K3-6\B&K3-6.dwg	RJD/ESM/SBS

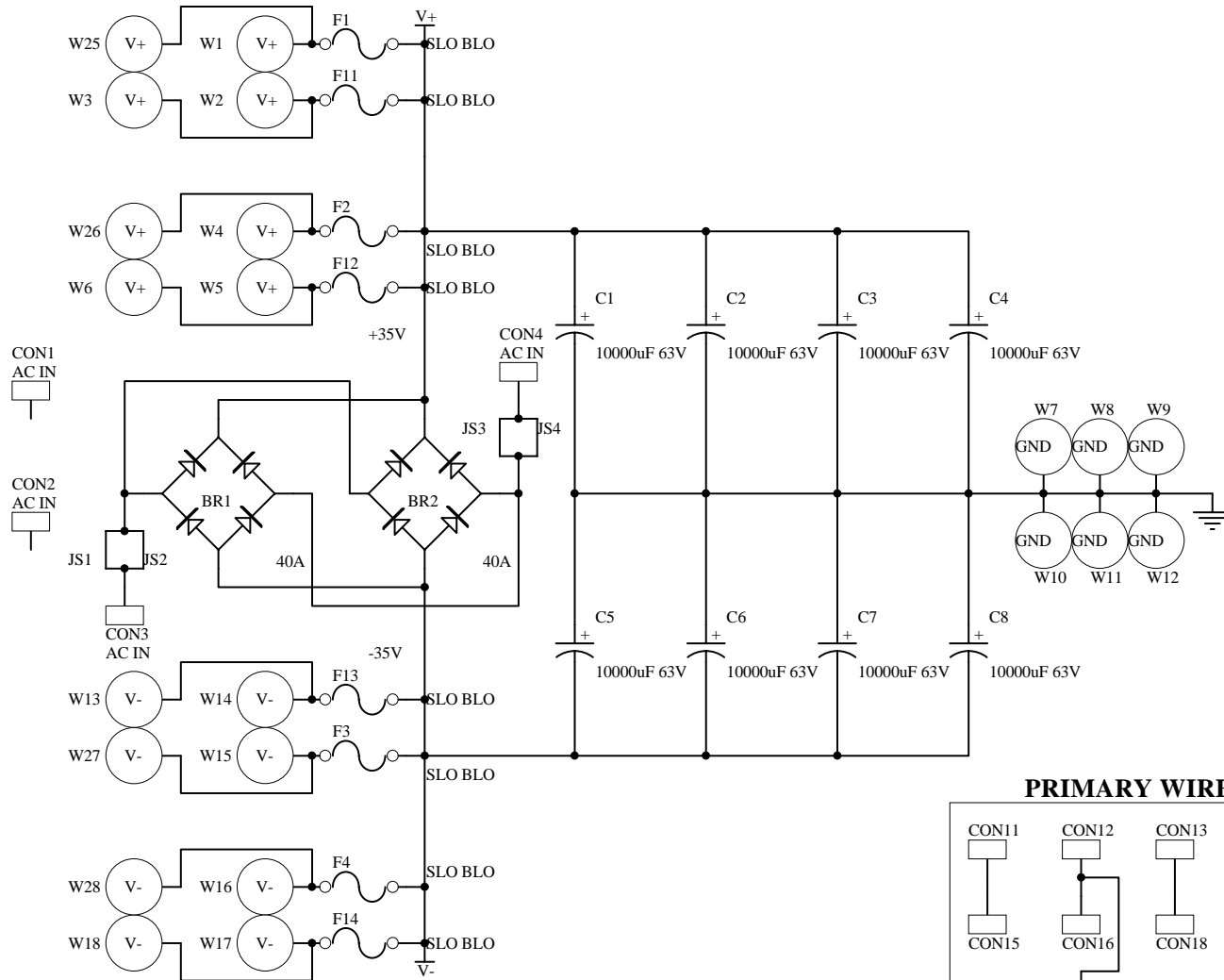


Title			
		B&K 3-6 Zone Control Board	
Size	Number	Revision	
C	1382600	A	
Date:	22-Nov-2005	Sheet 1 of	RJD/ESM/SBS
File:	C:\BK_Data\C\Series_Mini_Smp_Board	Drawn By:	db

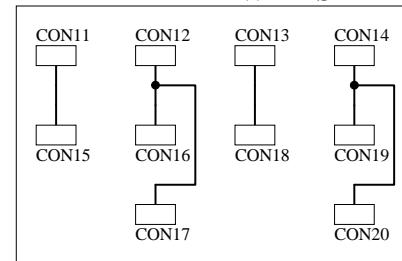


Title		3 - 6 channel power supply - low current	
Size	Number	Revision	
B	13149-0L	REV .	
Date:	28-Mar-2002	Sheet of	3 of 3
File:	C:\B&k_Data\6_Rev\Rev-ddB\13149-00.d	Drawn By:	SBS/ESM

POWER SUPPLY

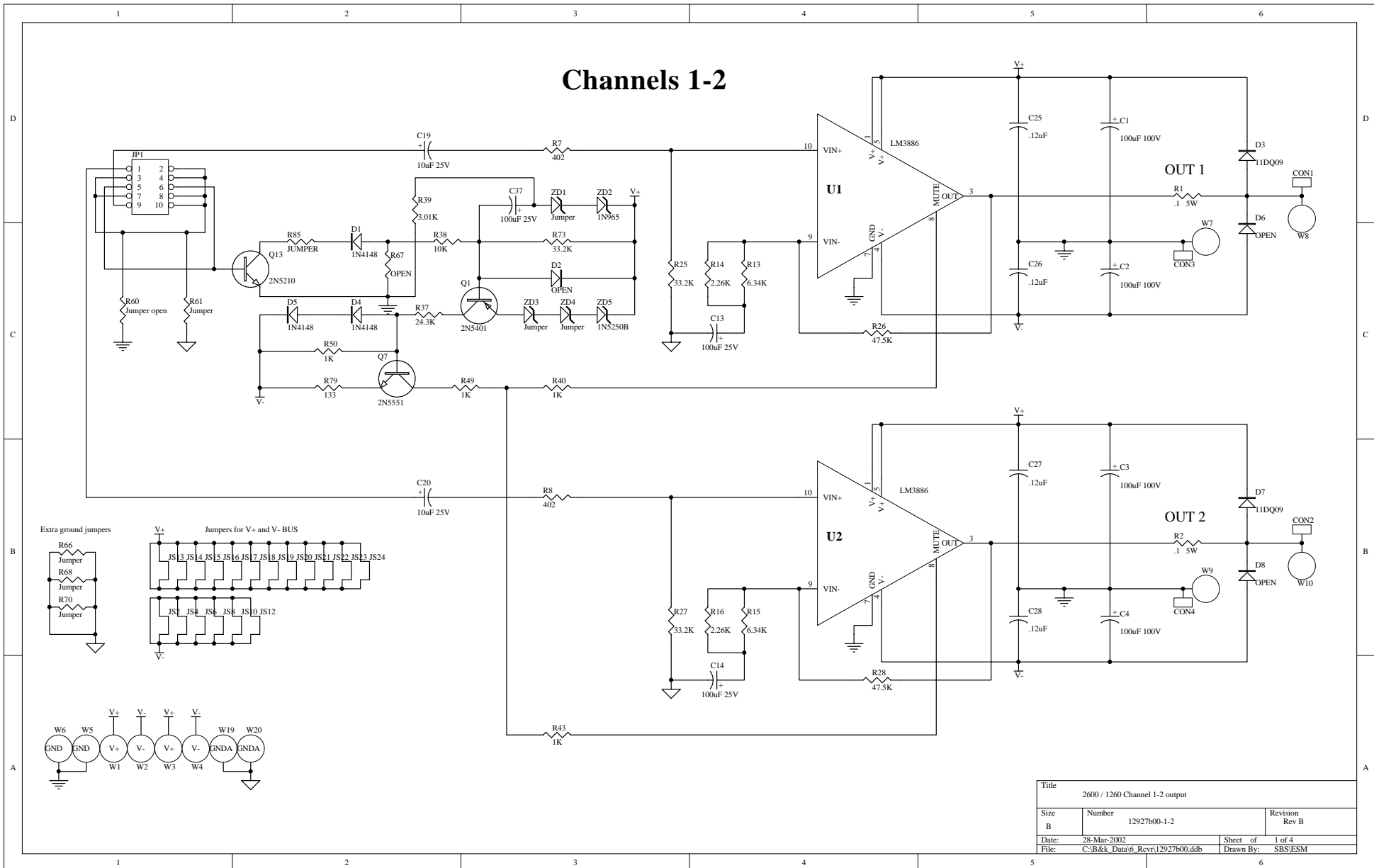


PRIMARY WIRES



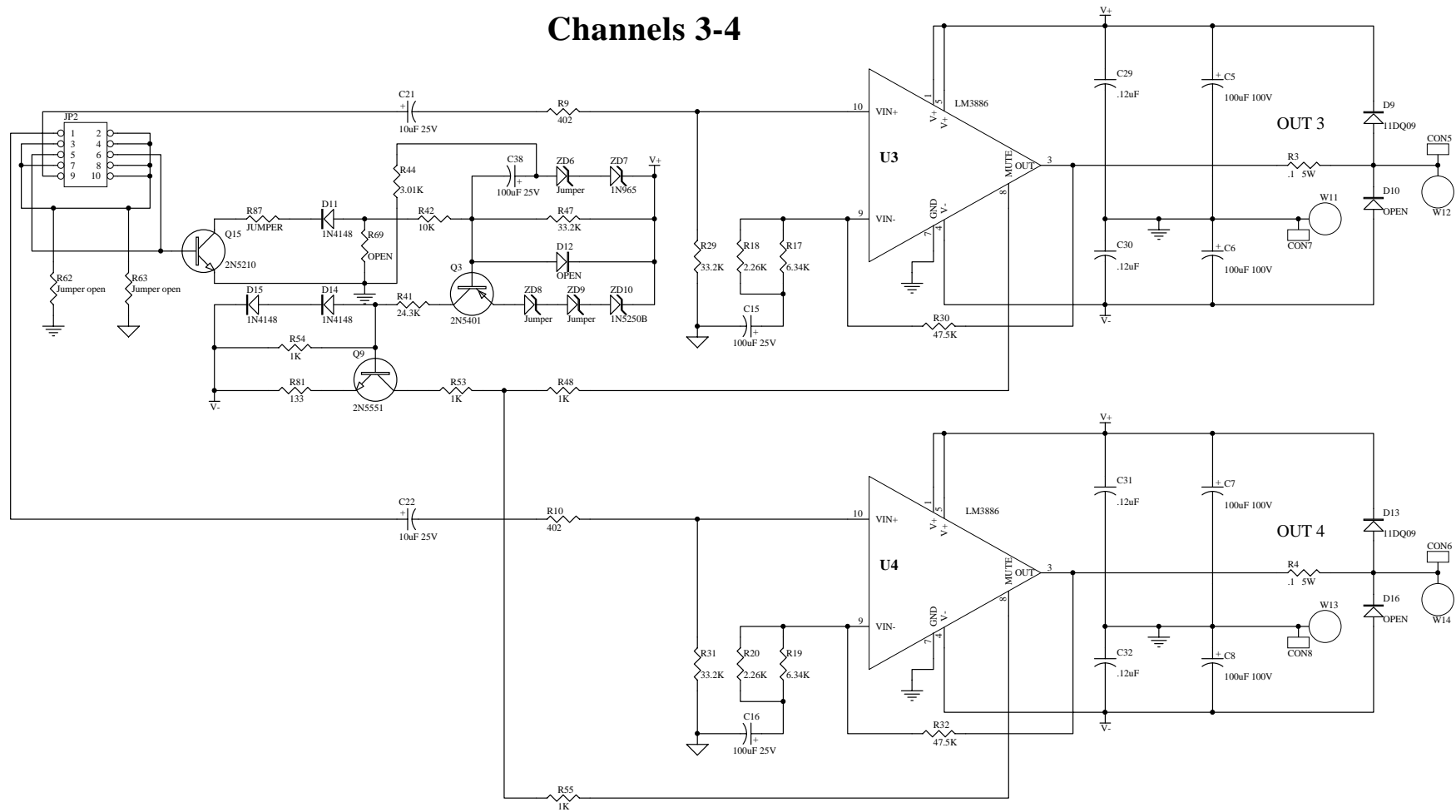
Title			3-6 Channel Power Supply - High Current		
Size	Number	Revision		Rev -	
A	13149-0H				
Date:	28-Mar-2002	Sheet of	2 of 3		
File:	C:\B&k_Data\6_Rev\Rev-ddB\13149-00.d	Drawn By:	SBS/ESM		

Channels 1-2



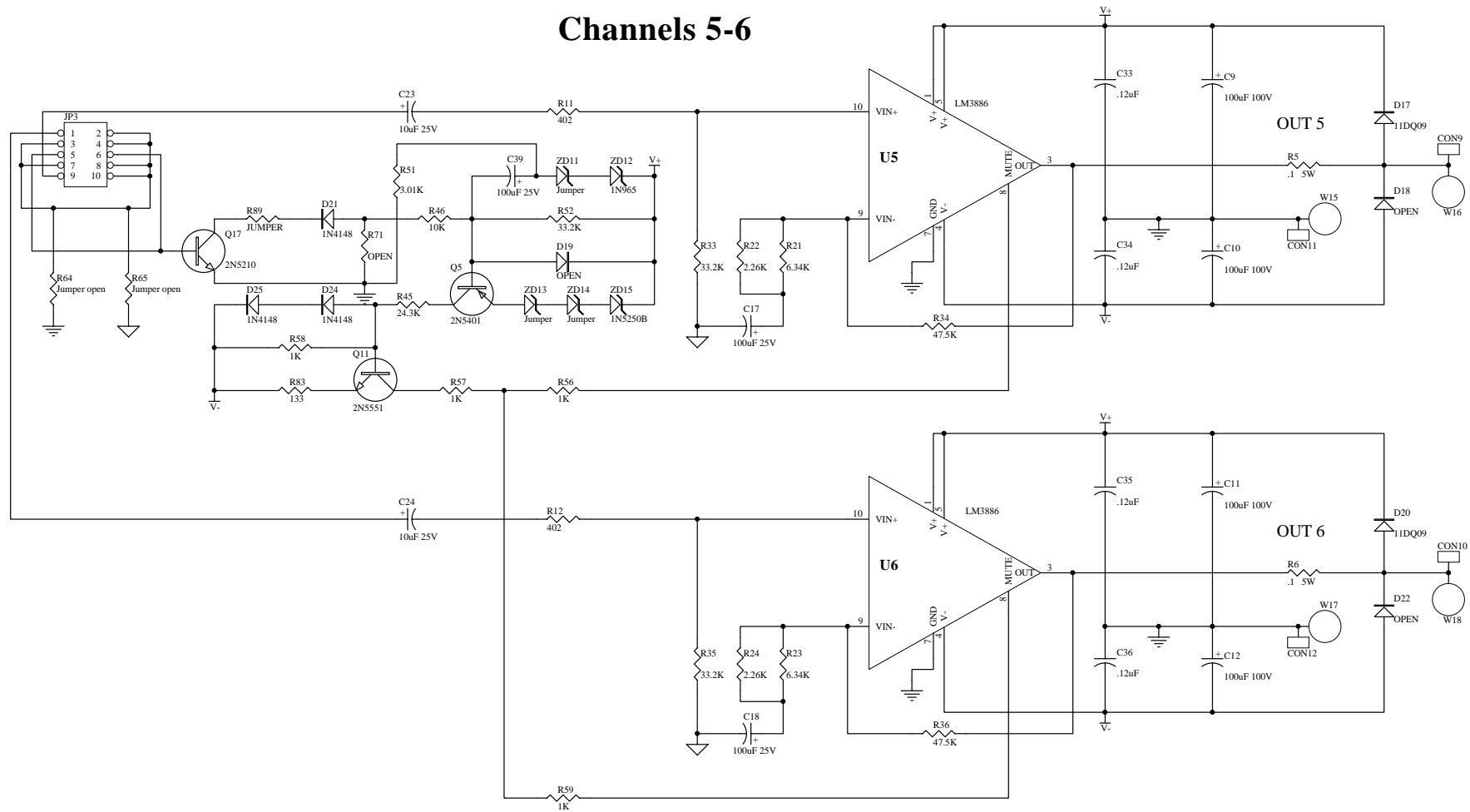
Title			
2600 / 1260 Channel 1-2 output			
Size	Number	Revision	
B	12927b00-1-2	Rev B	
Date:	28-Mar-2002	Sheet of	1 of 4
File:	C:\B&k Data\6_Rcvr\12927b00.ddb	Drawn By:	SBS:ESM

Channels 3-4

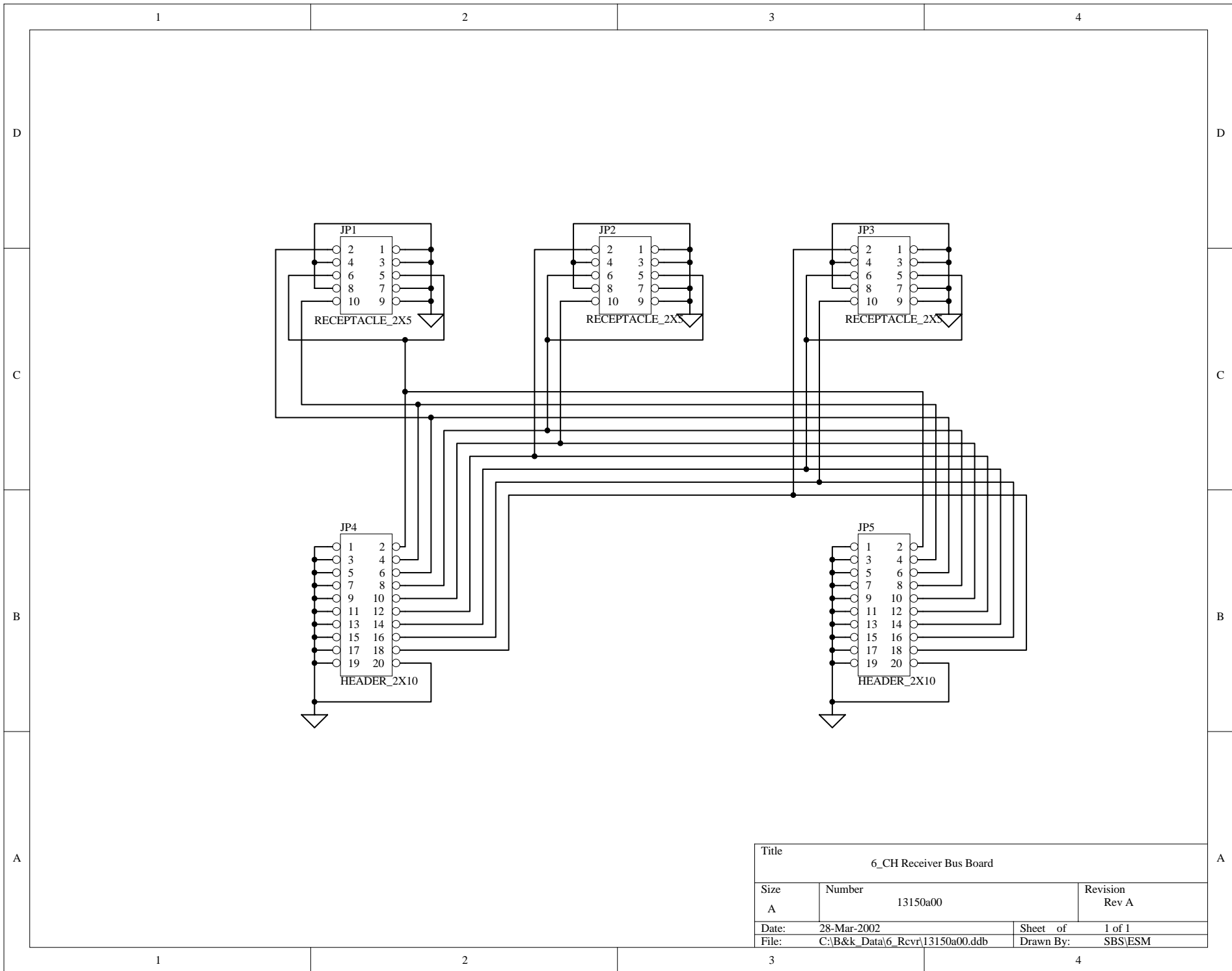


Title			
2600 / 1260 Channel 3-4 output			
Size	Number	Revision	
B	12927600-3-4	Rev B	
Date:	28-Mar-2002	Sheet of	2 of 4
File:	C:\B&k Data\6_Rev\12927600.ddb	Drawn By:	SBS:ESM

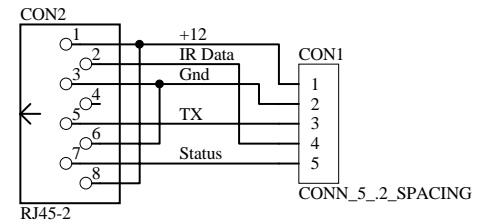
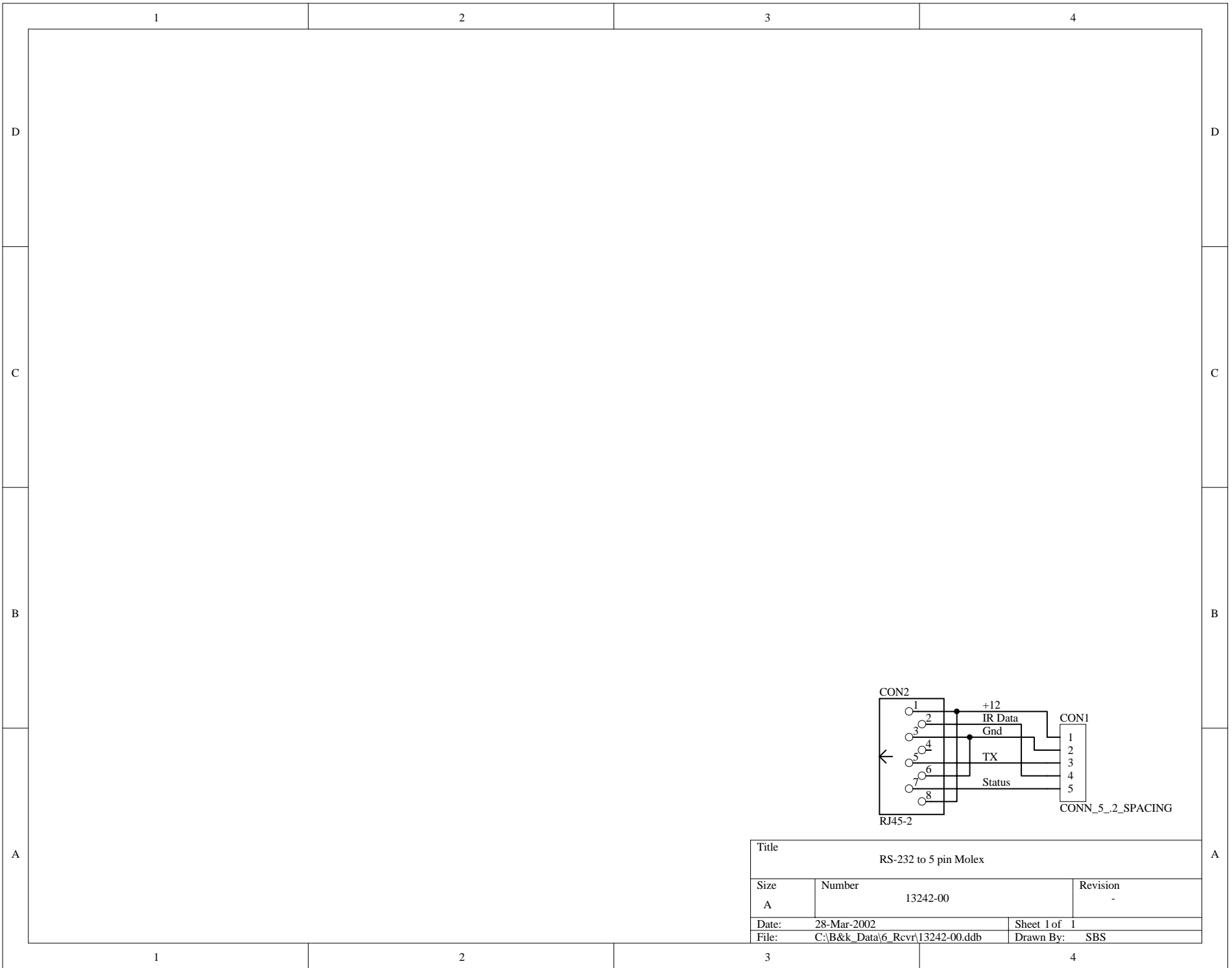
Channels 5-6



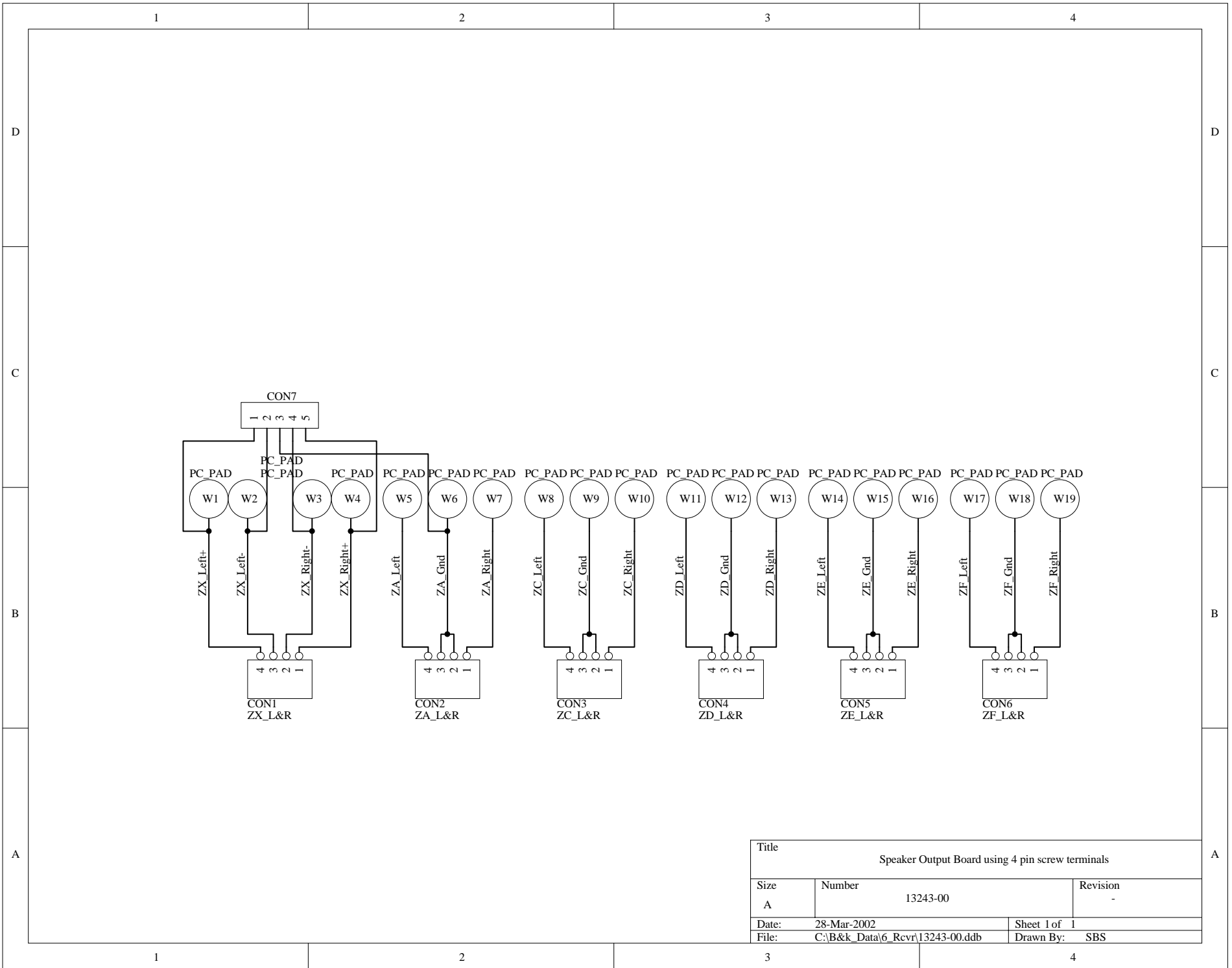
Title			
2600 / 1260 Channel 5-6 output			
Size	Number	Revision	
B	12927b00-5-6	Rev B	
Date:	28-Mar-2002	Sheet of	3 of 4
File:	C:\B&k_Data\6_Rev\12927b00.ddb	Drawn By:	SBS:ESM



Title			
6_CH Receiver Bus Board			
Size	Number	Revision	
A	13150a00	Rev A	
Date:	28-Mar-2002	Sheet of	1 of 1
File:	C:\B&k_Data\6_Revr\13150a00.ddb	Drawn By:	SBS\ESM



Title			RS-232 to 5 pin Molex		
Size	Number			Revision	
A	13242-00			-	
Date:	28-Mar-2002	Sheet 1 of 1			
File:	C:\B&k_Data\6_Revr\13242-00.ddb	Drawn By:		SBS	



Title		
Speaker Output Board using 4 pin screw terminals		
Size	Number	Revision
A	13243-00	-
Date:	28-Mar-2002	Sheet 1 of 1
File:	C:\B&k_Data\6_Rev\13243-00.ddb	Drawn By: SBS