

WE SIMPLY SOUND BETTER.

CT610 - CT310

SERVICE MANUAL

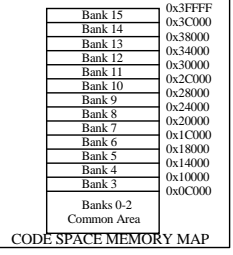
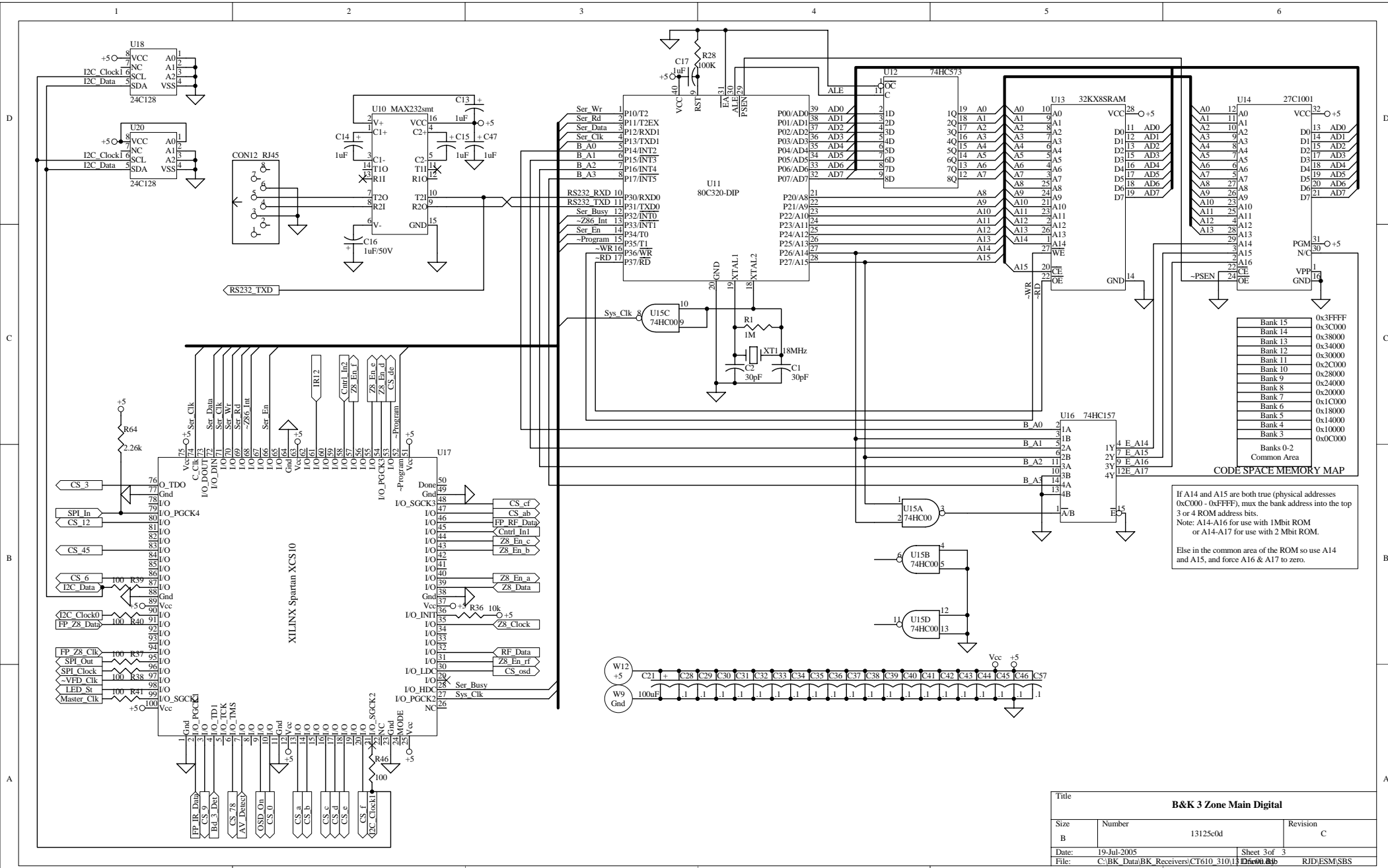
B&K COMPONENTS, LTD.
2100 Old Union Road
Buffalo, New York 14227-2725
U.S.A.

B & K

WE SIMPLY SOUND BETTER.

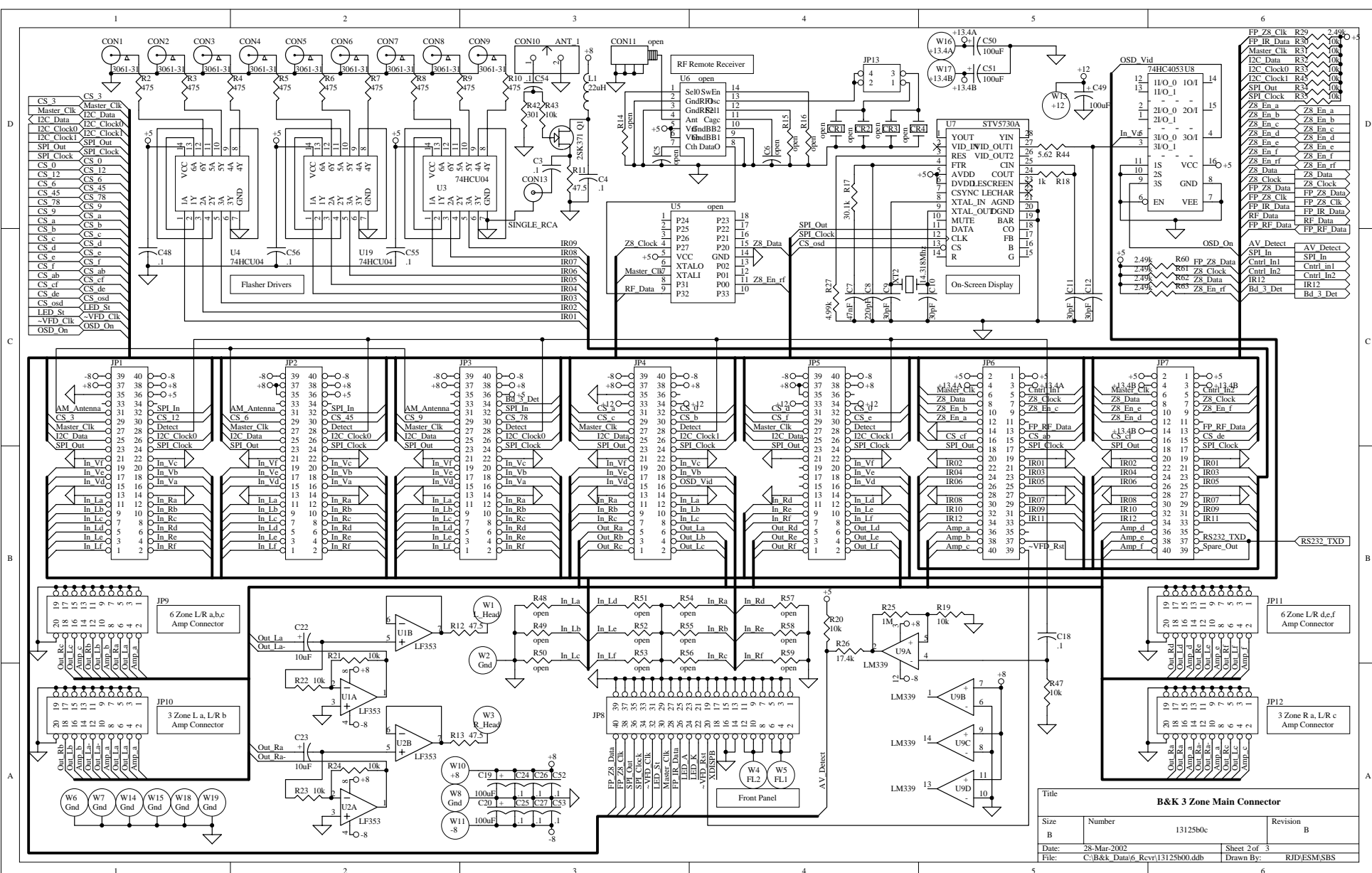
Schematics

B&K COMPONENTS, LTD.
2100 Old Union Road
Buffalo, New York 14227-2725
U.S.A.

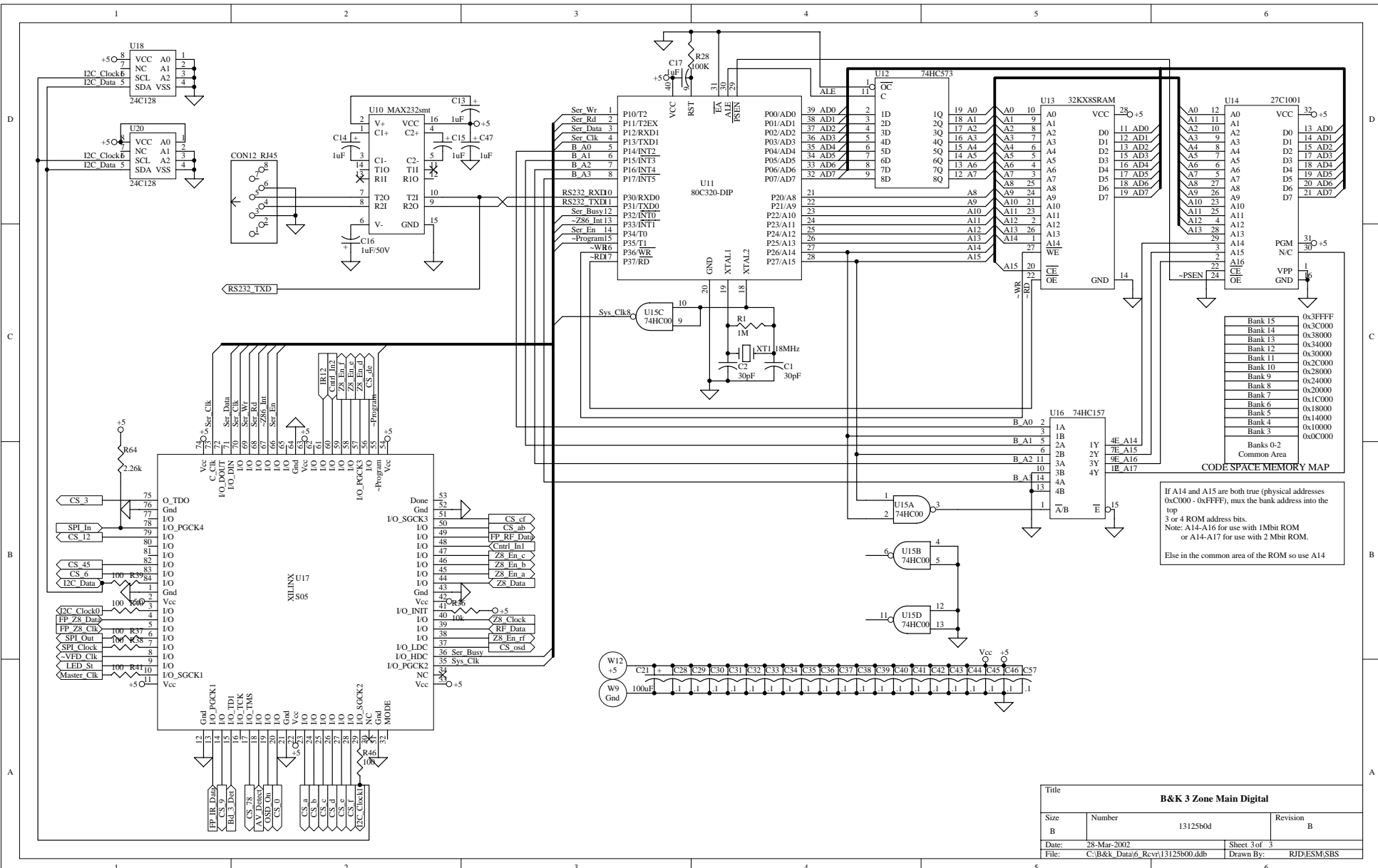


If A14 and A15 are both true (physical addresses 0xC000 - 0xFFFF), mux the bank address into the top 3 or 4 ROM address bits.
 Note: A14-A16 for use with 1Mbit ROM or A14-A17 for use with 2 Mbit ROM.
 Else in the common area of the ROM so use A14 and A15, and force A16 & A17 to zero.

Title			
B&K 3 Zone Main Digital			
Size	Number	13125c0d	Revision
B			C
Date:	19-Jul-2005	Sheet 3of 3	
File:	C:\BK_Data\BK_Receive\CT610_31011	D:\600	RJD/ESM/SBS



B&K 3 Zone Main Connector			
Title	Size	Number	Revision
	B	13125b0c	B
Date:	28-Mar-2002	Sheet 2 of 3	
File:	C:\B&k Data\6_Rcvr13125b00.ddb	Drawn By:	RJD/ESM/SBS

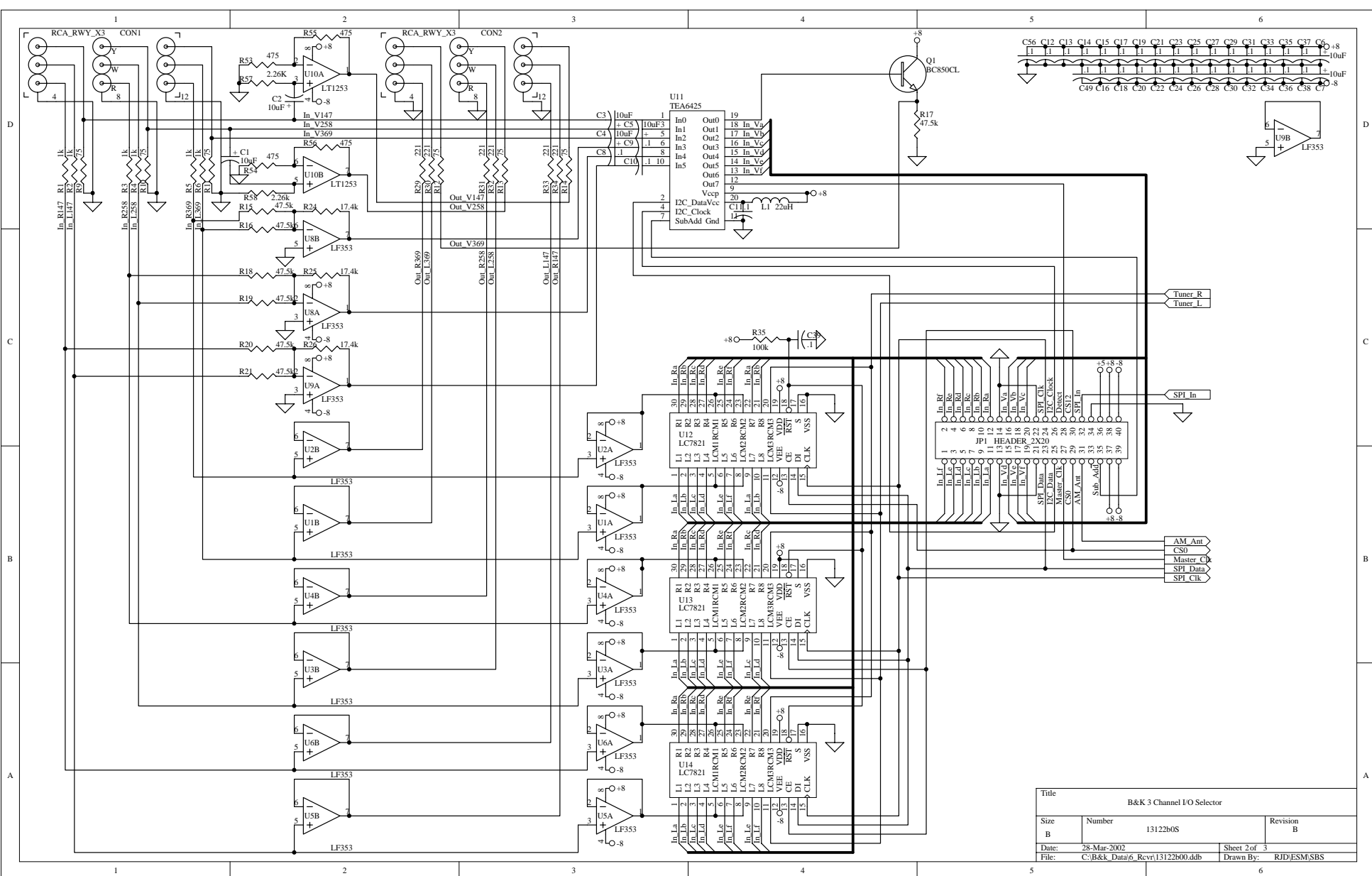


If A14 and A15 are both true (physical addresses 0x0000 - 0xFFFF), max the bank address into the top 3 or 4 ROM address bits.
 Note: A14-A16 for use with 1Mbit ROM or A14-A17 for use with 2 Mbit ROM.
 Else in the common area of the ROM so use A14

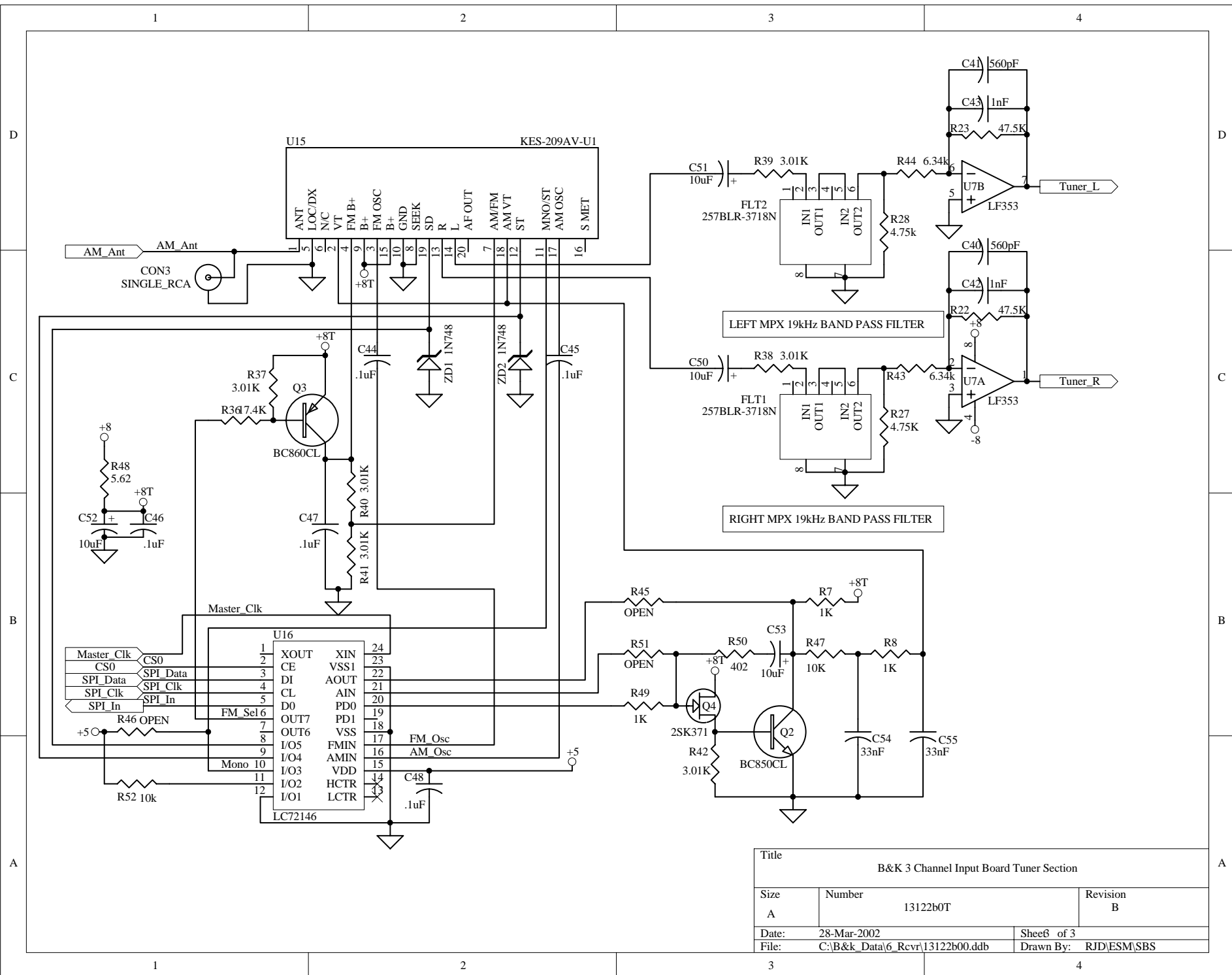
CODE SPACE MEMORY MAP

Bank 15	0x3FFFF
Bank 14	0x3C000
Bank 13	0x34000
Bank 12	0x30000
Bank 11	0x2C000
Bank 10	0x28000
Bank 9	0x24000
Bank 8	0x20000
Bank 7	0x1C000
Bank 6	0x18000
Bank 5	0x14000
Bank 4	0x10000
Bank 3	0x0C000
Common Area	

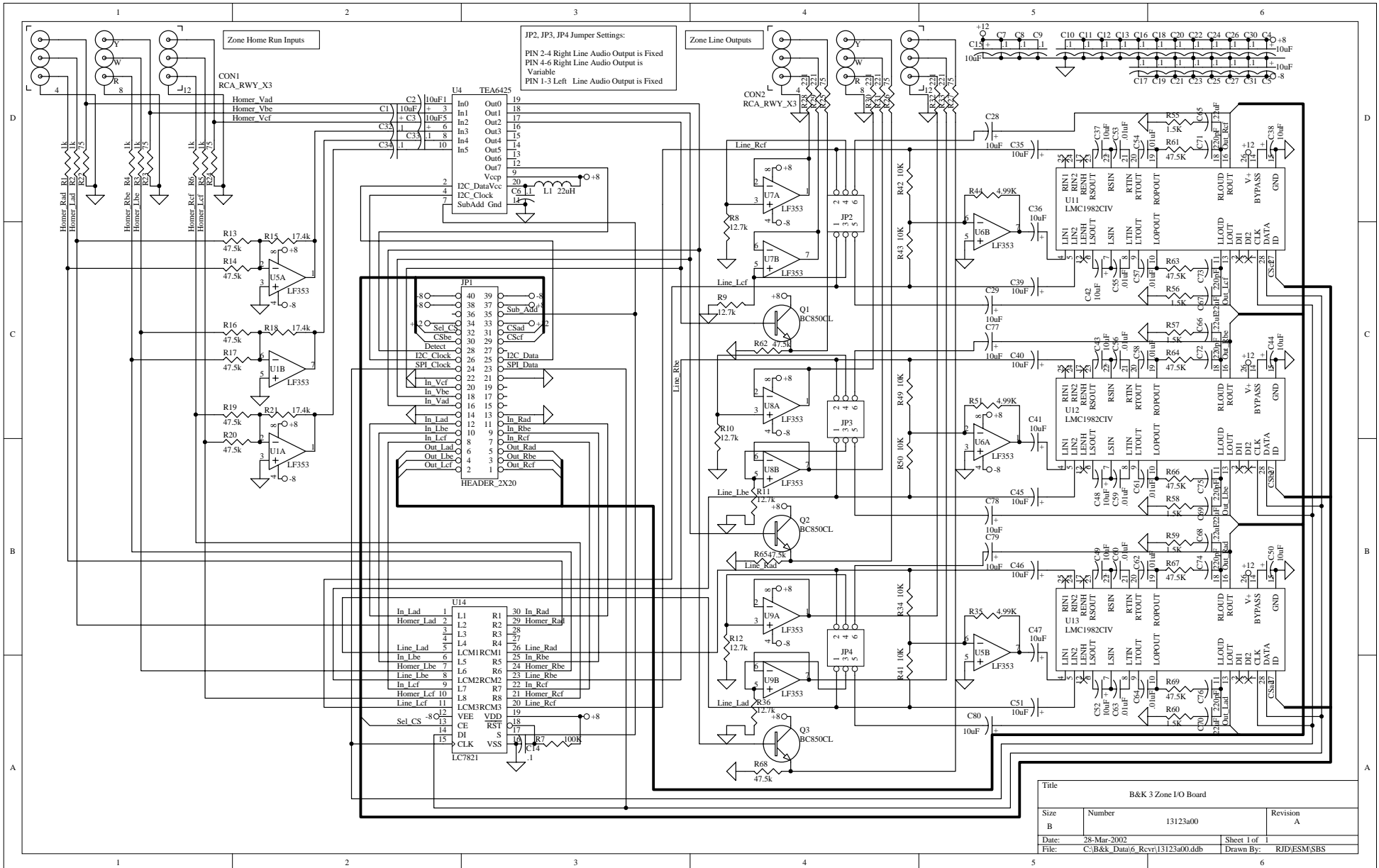
Title		
B&K 3 Zone Main Digital		
Size B	Number 13125b0d	Revision B
Date: 28-Mar-2002	Sheet 3of 3	
File: C:\B&k_Data6\Rev1\13125b0d.dbf	Drawn By: RJD/ESM/SBS	



Title		
B&K 3 Channel I/O Selector		
Size	Number	Revision
B	13122b0S	B
Date:	28-Mar-2002	Sheet 2 of 3
File:	C:\B&k_Data\6 Rcvt\13122b00.ddb	Drawn By: RJD/ESM/SBS

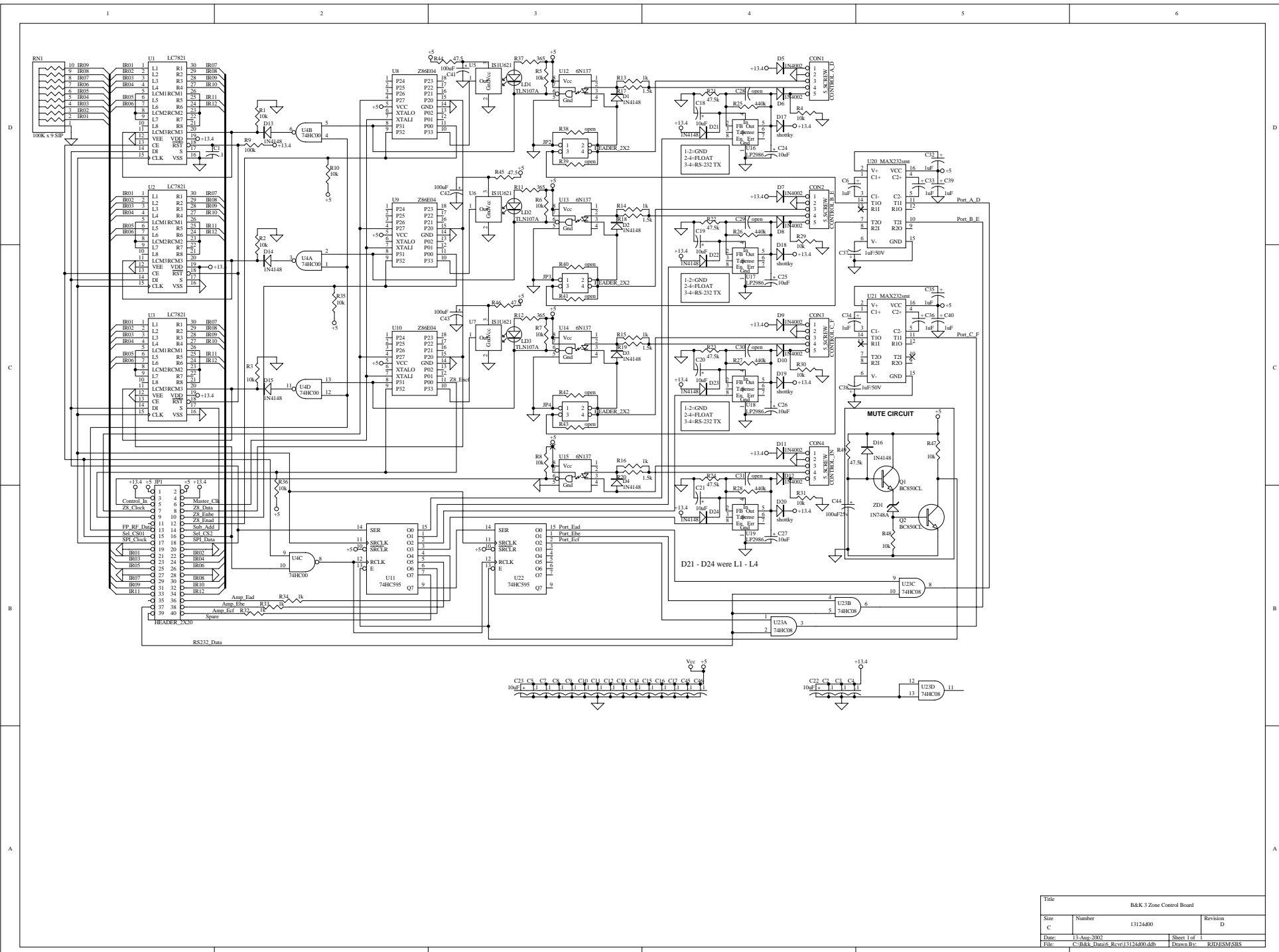


Title		
B&K 3 Channel Input Board Tuner Section		
Size	Number	Revision
A	13122b0T	B
Date:	28-Mar-2002	Shee6 of 3
File:	C:\B&k_Data\6 Rcvr\13122b00.ddb	Drawn By: RJD\ESM\SBS

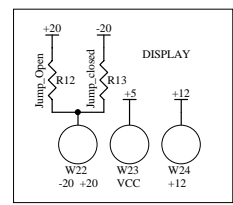
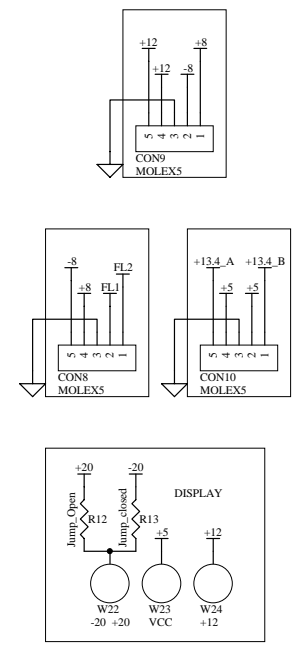
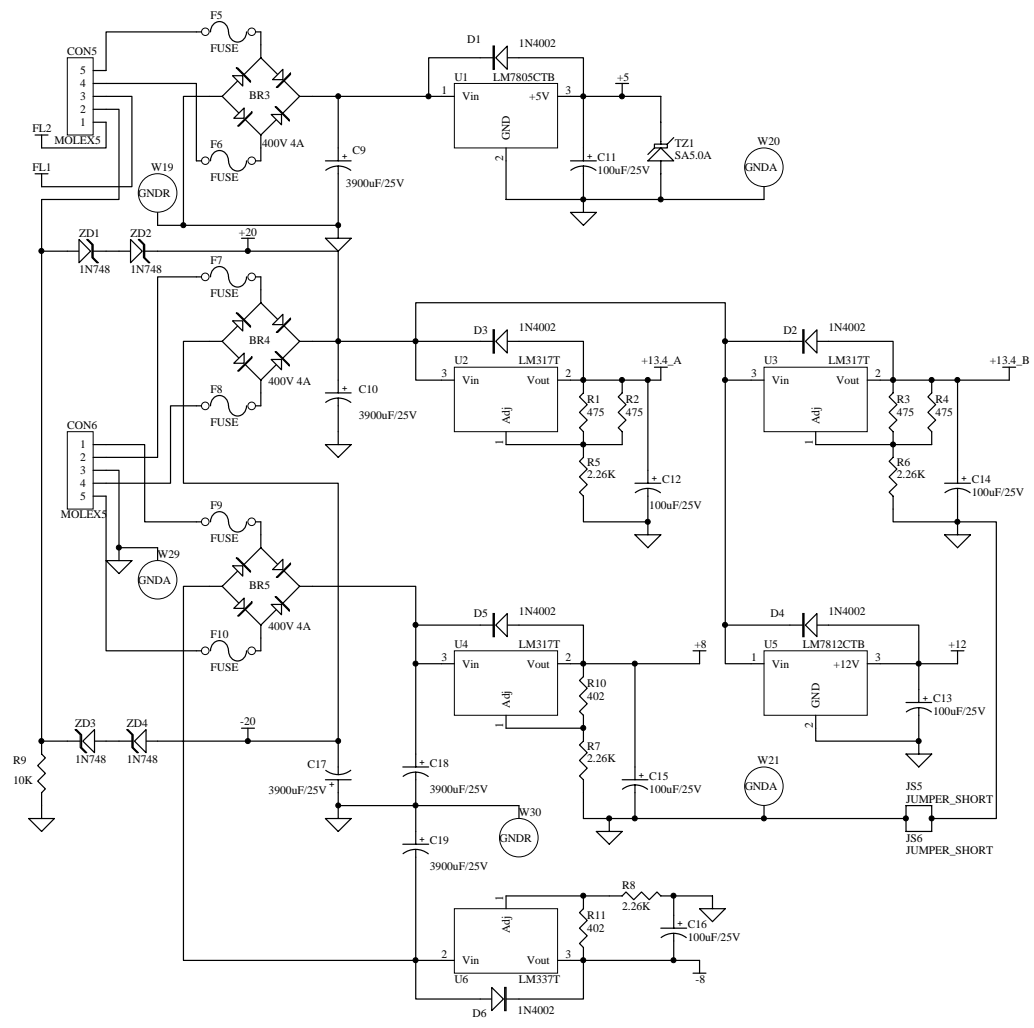


JP2, JP3, JP4 Jumper Settings:
 PIN 2-4 Right Line Audio Output is Fixed
 PIN 4-6 Right Line Audio Output is Variable
 PIN 1-3 Left Line Audio Output is Fixed

Title			
B&K 3 Zone I/O Board			
Size	Number	13123a00	Revision
B			A
Date:	28-Mar-2002	Sheet 1 of 1	
File:	C:\B&k_Data\6_Rev\13123a00.ddb	Drawn By:	RJD/ESM/SBS

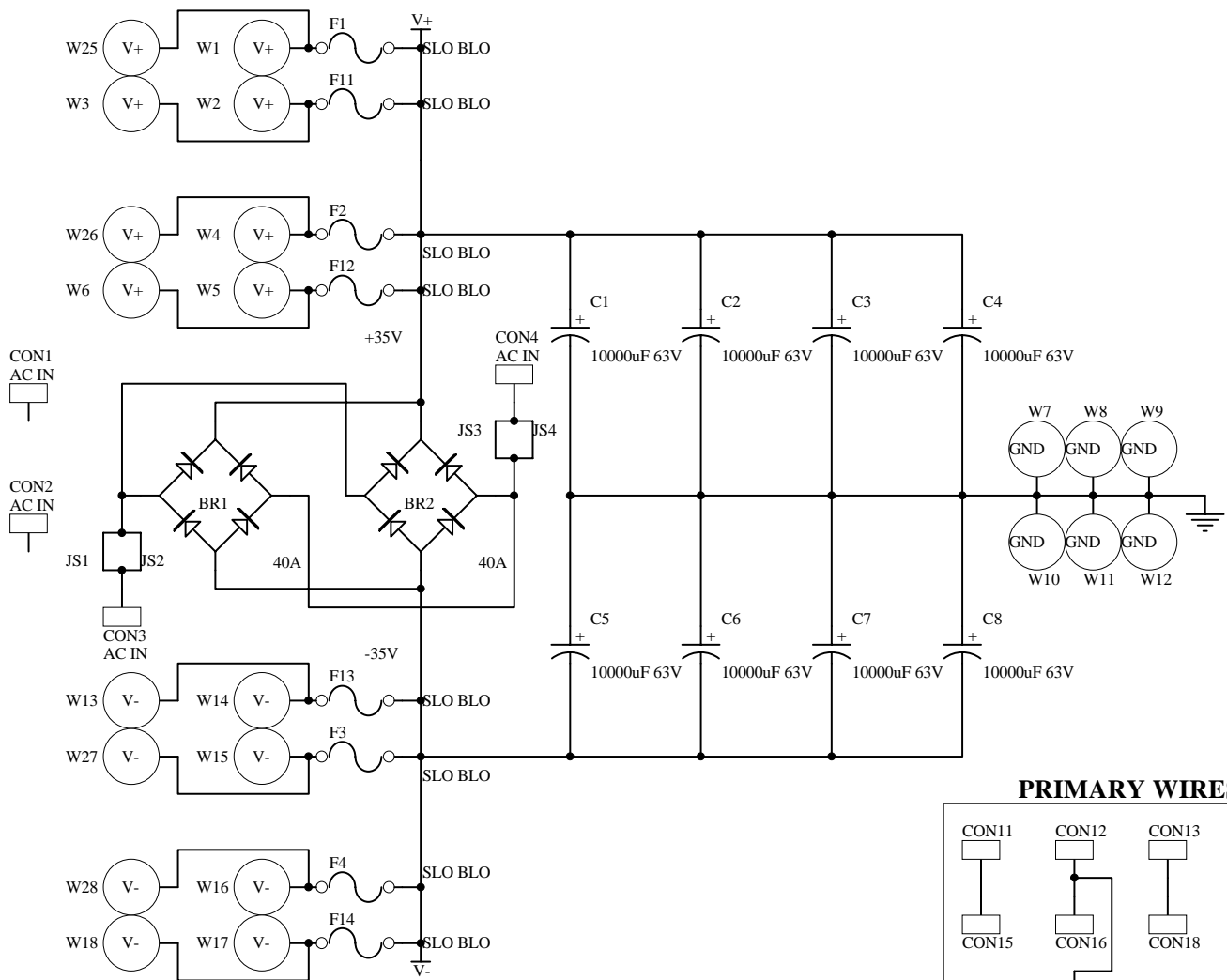


Title			
B&K 3 Zone Control Board			
Site	Number	13124800	Revision
c			D
Date:	13-Jun-2002	Sheet	1 of 1
File:	C:\B&K_Data\6_Rev\13124800.dtb	Drawn By:	RJD/MSM/SJS

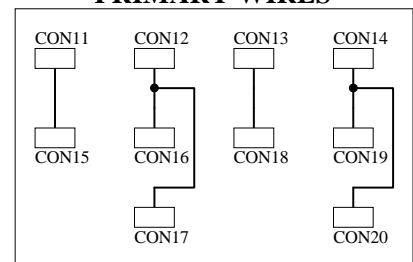


Title		
3 - 6 channel power supply - low current		
Size	Number	Revision
B	13149-0L	REV -
Date:	28-Mar-2002	Sheet of 3 of 3
File:	C:\B&K_Data\6_Rev1\Rev-ddB\13149-0L.d	Drawn By: SBS/ESM

POWER SUPPLY

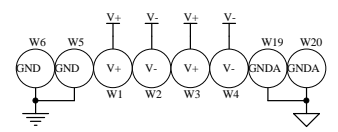
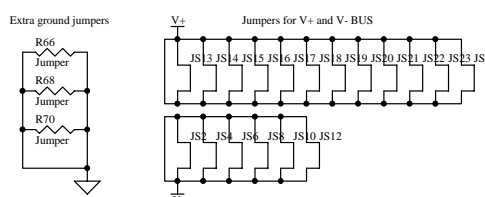
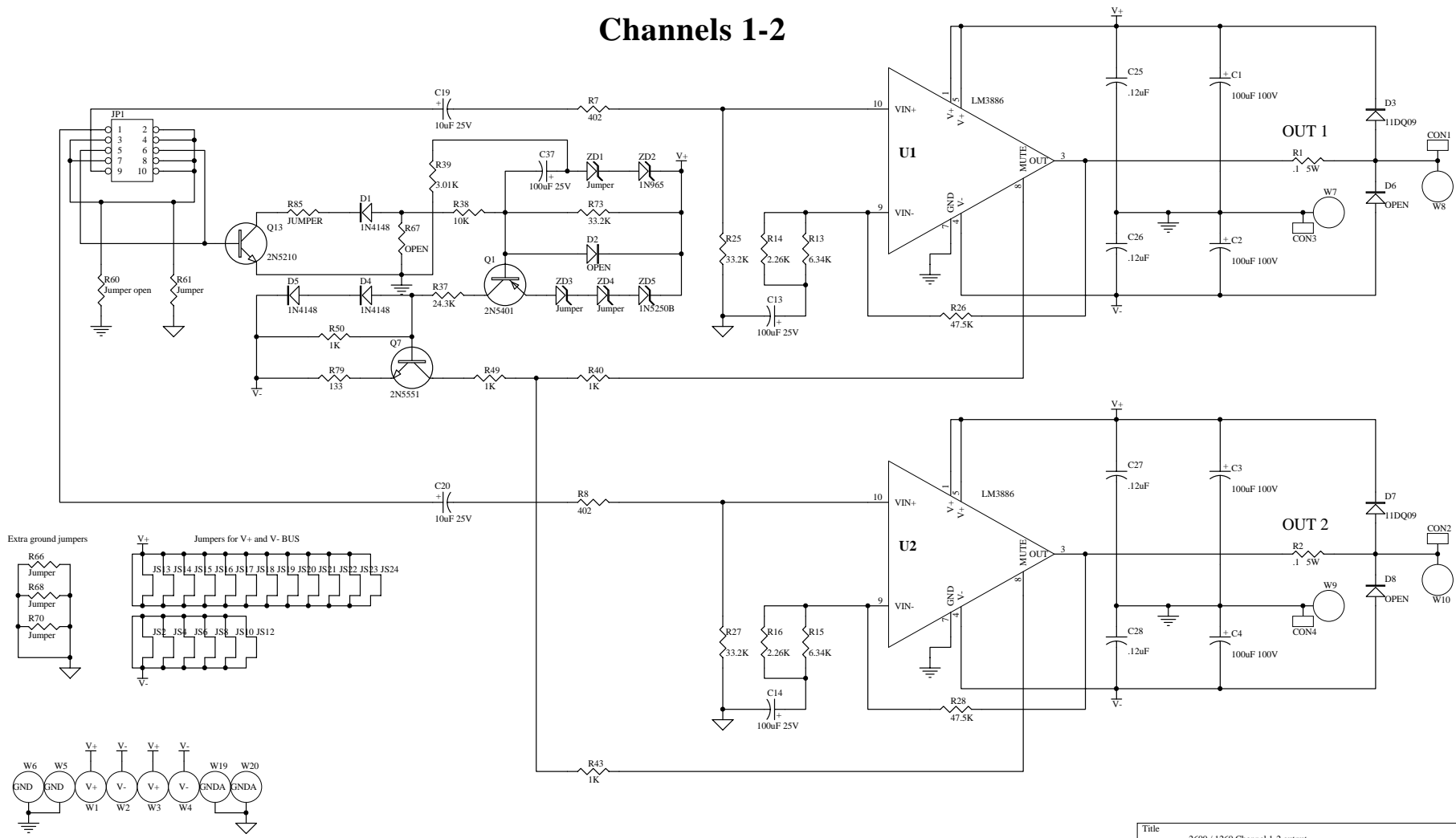


PRIMARY WIRES



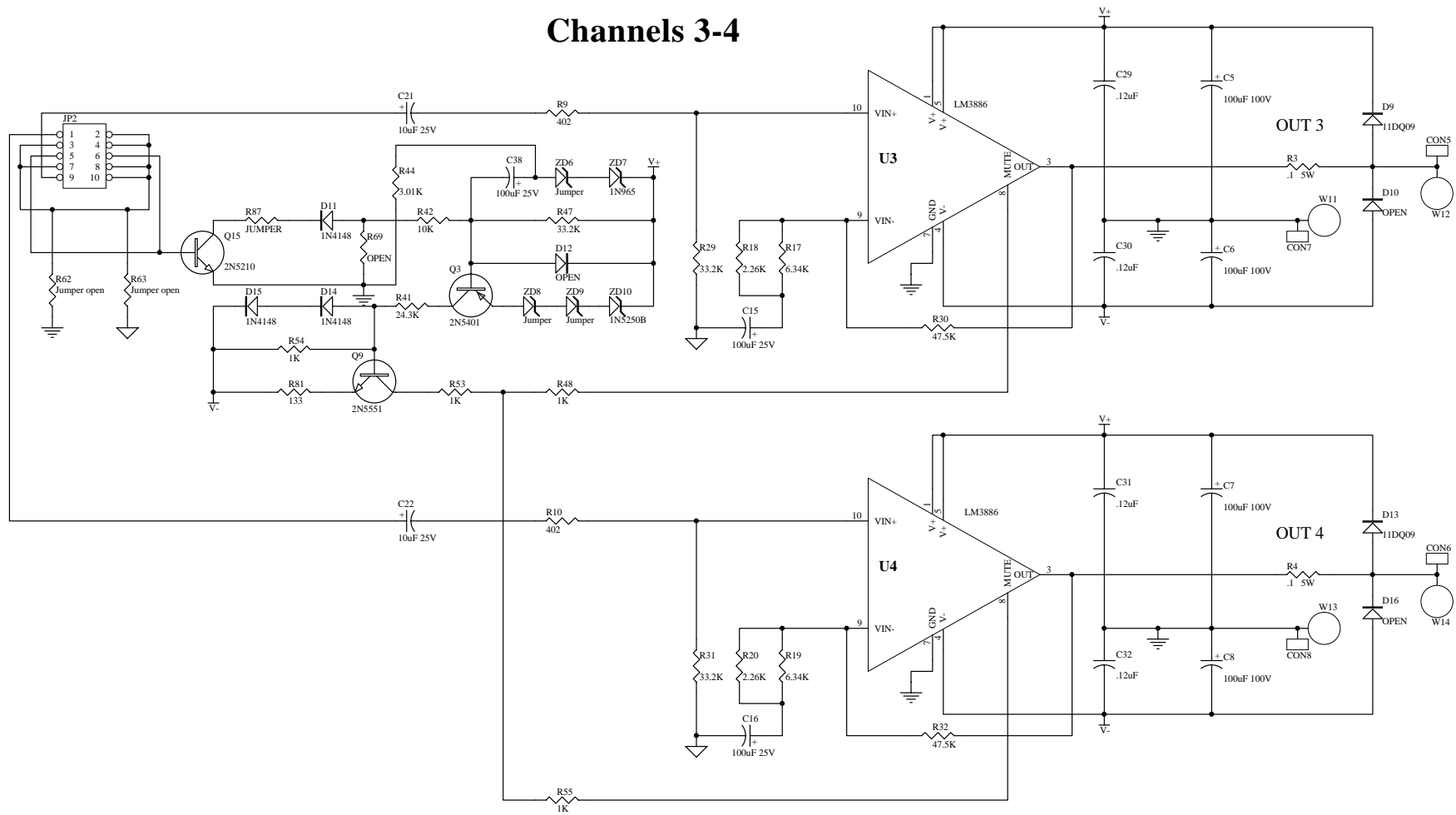
Title		
3-6 Channel Power Supply - High Current		
Size	Number	Revision
A	13149-0H	Rev -
Date:	28-Mar-2002	Sheet of 2 of 3
File:	C:\B&k_Data\6_Rcvr\Rev-ddB\13149-00.d	Drawn By: SBS/ESM

Channels 1-2



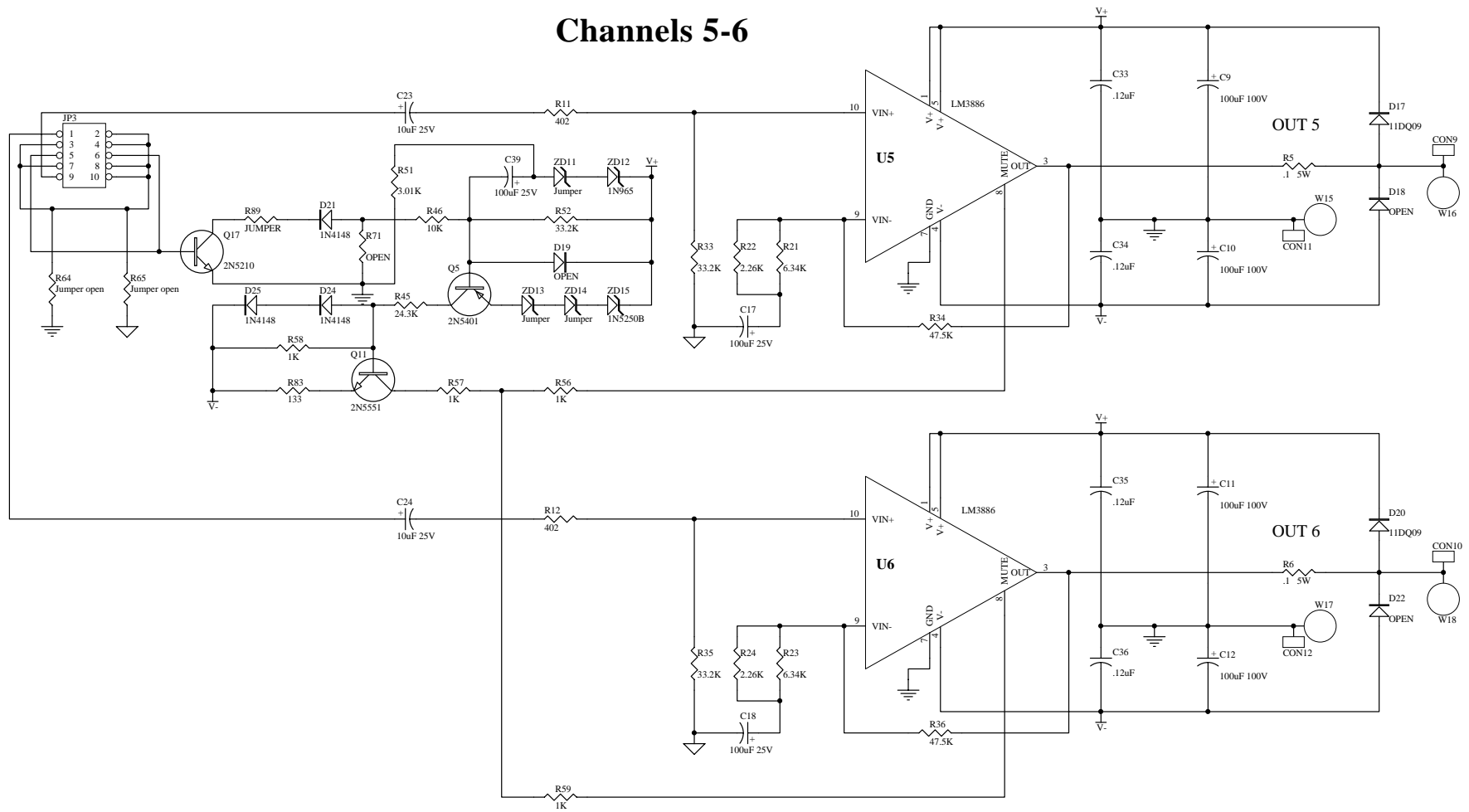
Title		
2600 / 1260 Channel 1-2 output		
Size	Number	Revision
B	12927600-1-2	Rev B
Date:	28-Mar-2002	Sheet of 1 of 4
File:	C:\B&K_Data\6_Rev\12927600.ddb	Drawn By: SBS:ESM

Channels 3-4

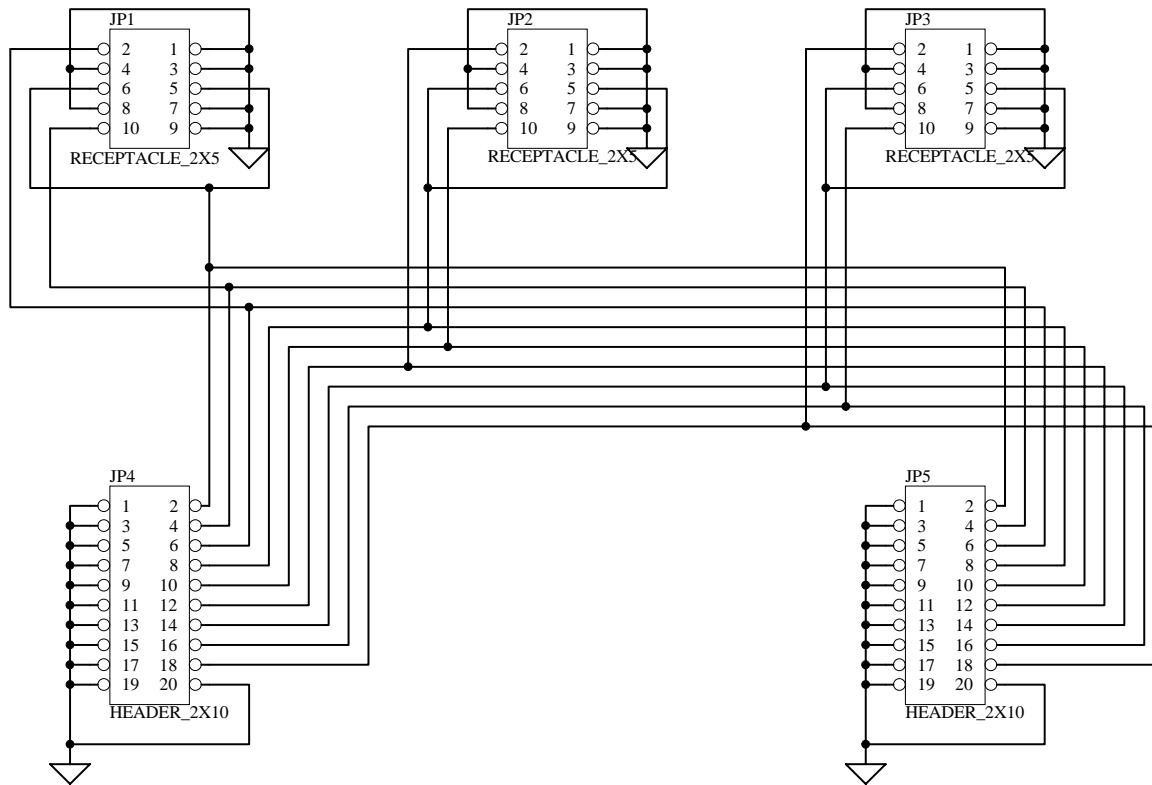


Title		
2600 / 1260 Channel 3-4 output		
Size	Number	Revision
B	12927600-3-4	Rev B
Date:	28-Mar-2002	Sheet of 2 of 4
File:	C:\B&k_Data\6_Rev\12927600.ddb	Drawn By: SBS:ESM

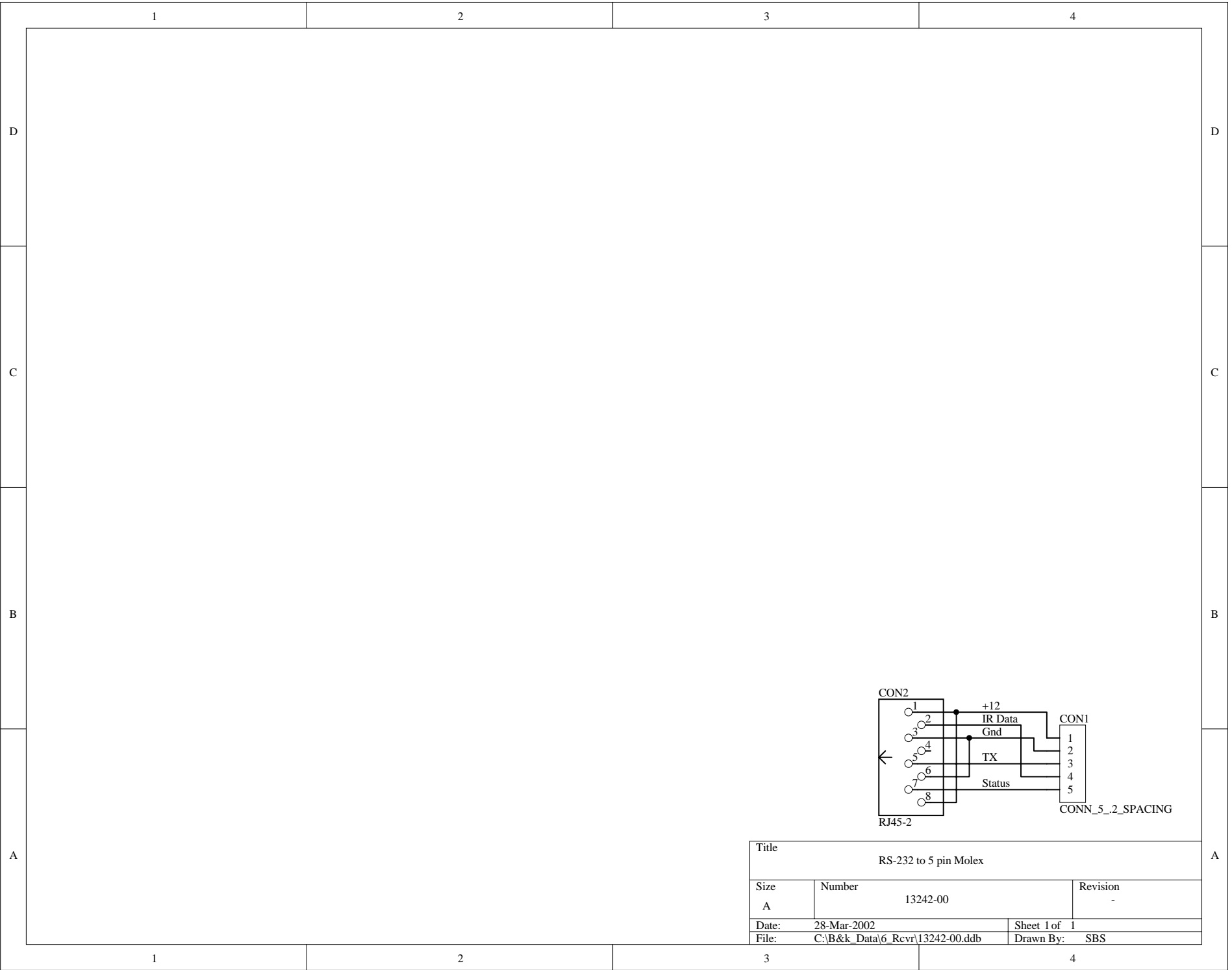
Channels 5-6



Title		
2600 / 1260 Channel 5-6 output		
Size	Number	Revision
B	12927600-5-6	Rev B
Date:	28-Mar-2002	Sheet of 3 of 4
File:	C:\B&K_Data\6_Rev\12927600.ddb	Drawn By: SBS:ESM



Title			
6_CH Receiver Bus Board			
Size	Number	Revision	
A	13150a00	Rev A	
Date:	28-Mar-2002	Sheet of	1 of 1
File:	C:\B&k_Data\6_Rcvr\13150a00.ddb	Drawn By:	SBS\ESM



1

2

3

4

D

D

C

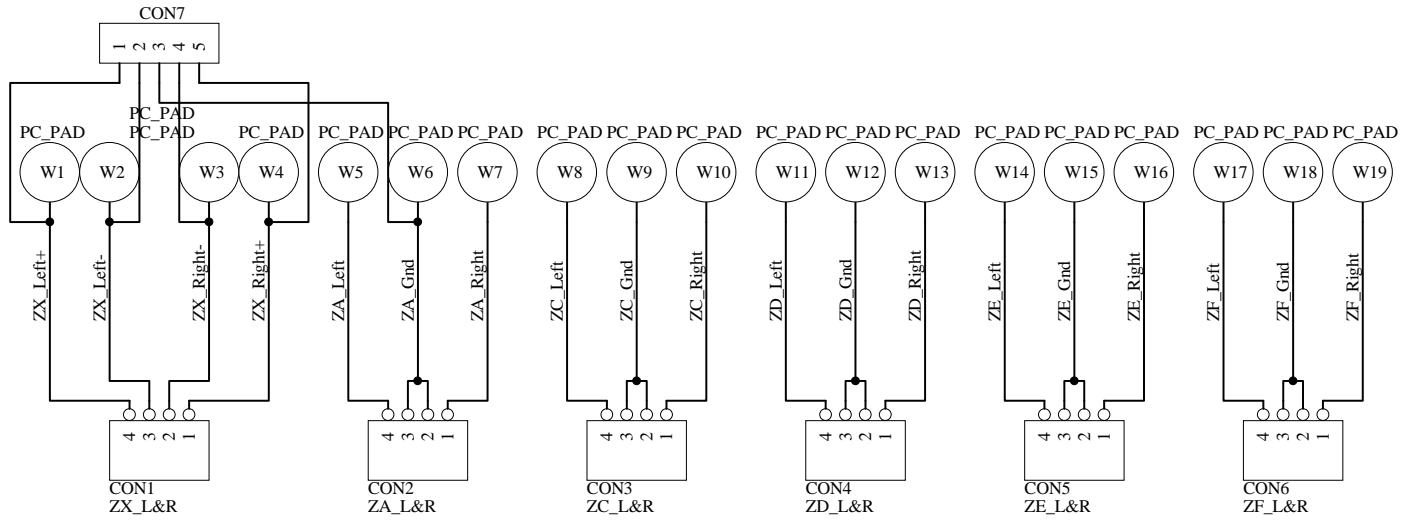
C

B

B

A

A



Title		
Speaker Output Board using 4 pin screw terminals		
Size	Number	Revision
A	13243-00	-
Date:	28-Mar-2002	Sheet 1 of 1
File:	C:\B&k_Data\6_Rcvr\13243-00.ddb	Drawn By: SBS

1

2

3

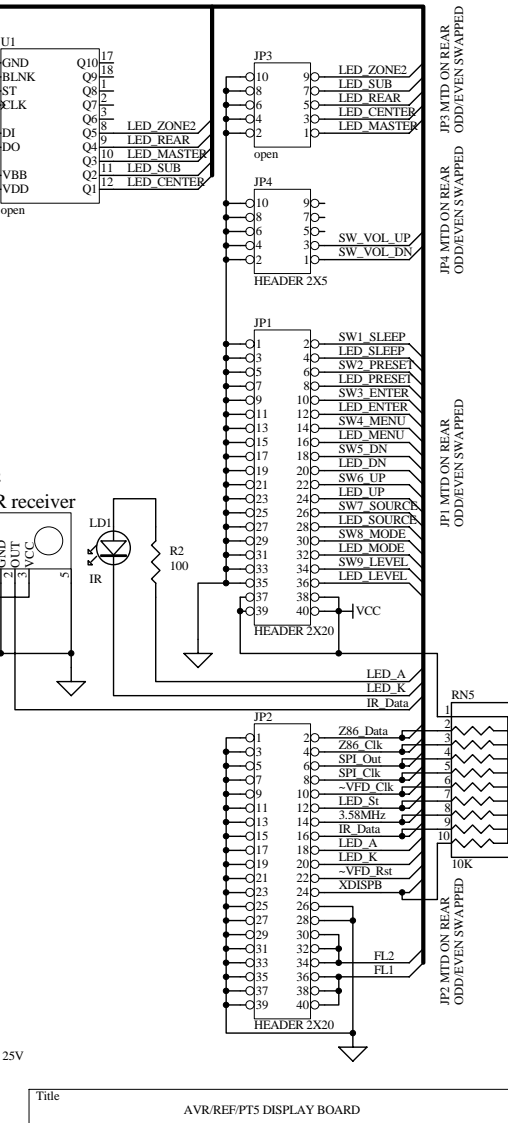
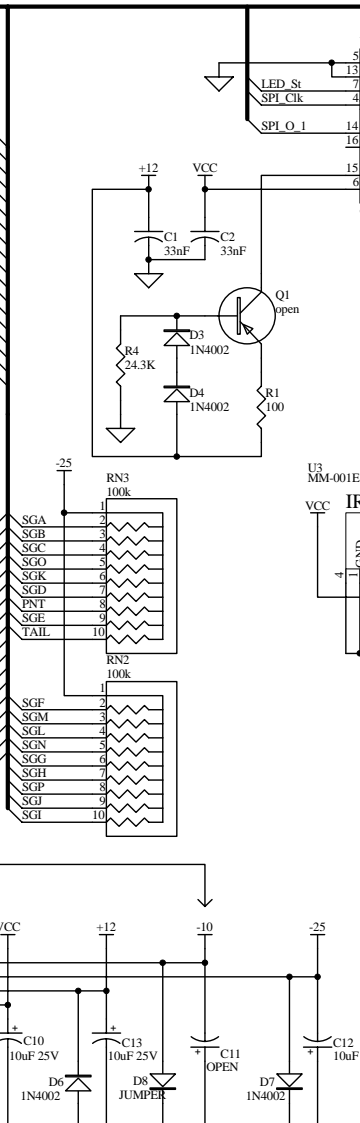
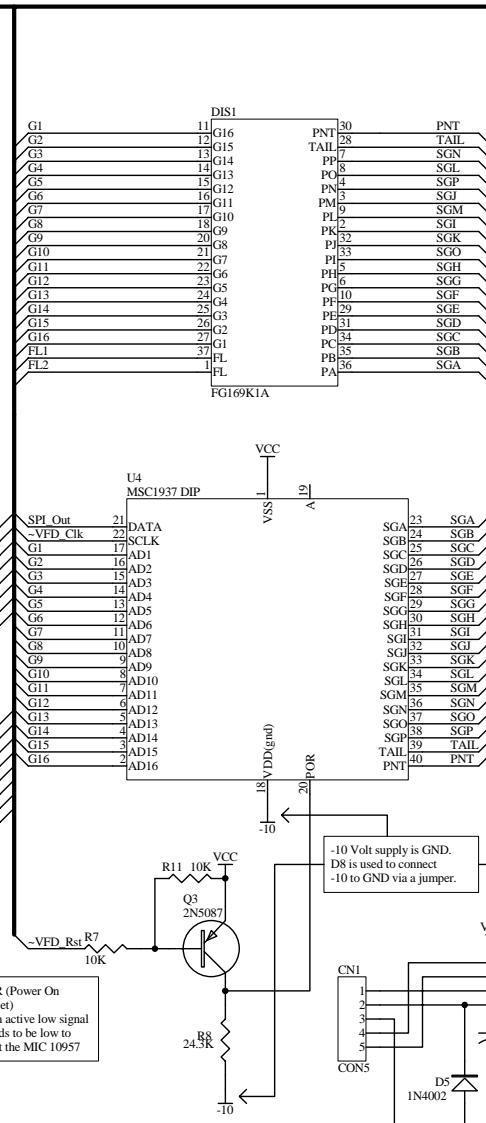
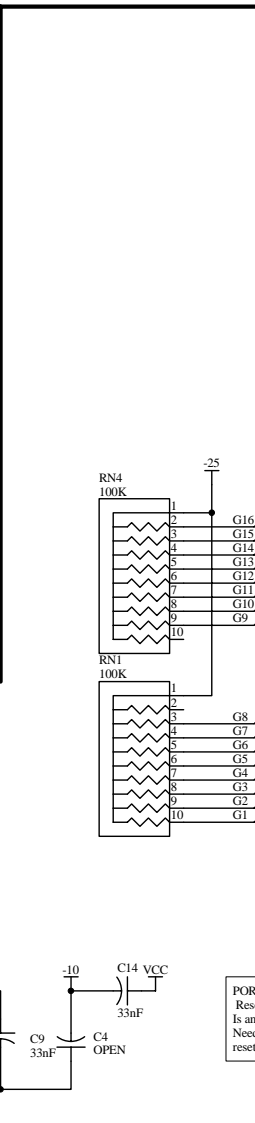
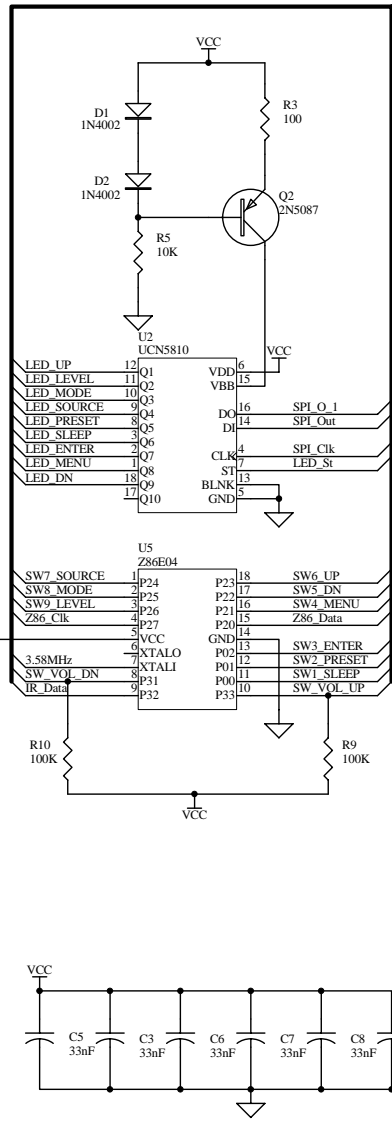
4

D

C

B

A



POR (Power On Reset)
Is an active low signal
Needs to be low to
reset the MIC 10957

-10 Volt supply is GND.
D8 is used to connect
-10 to GND via a jumper.

Title			AVR/REF/PT5 DISPLAY BOARD		
Size	Number			Revision	
B	10954-400			D	
Date:	28-Jun-2004	Sheet 1 of 1			
File:	C:\BK_Data\BK_PreAmps\Ref50\Display	Board10954-400.DDK			

