

WE SIMPLY SOUND BETTER.

CT600.3-300.3

SERVICE MANUAL

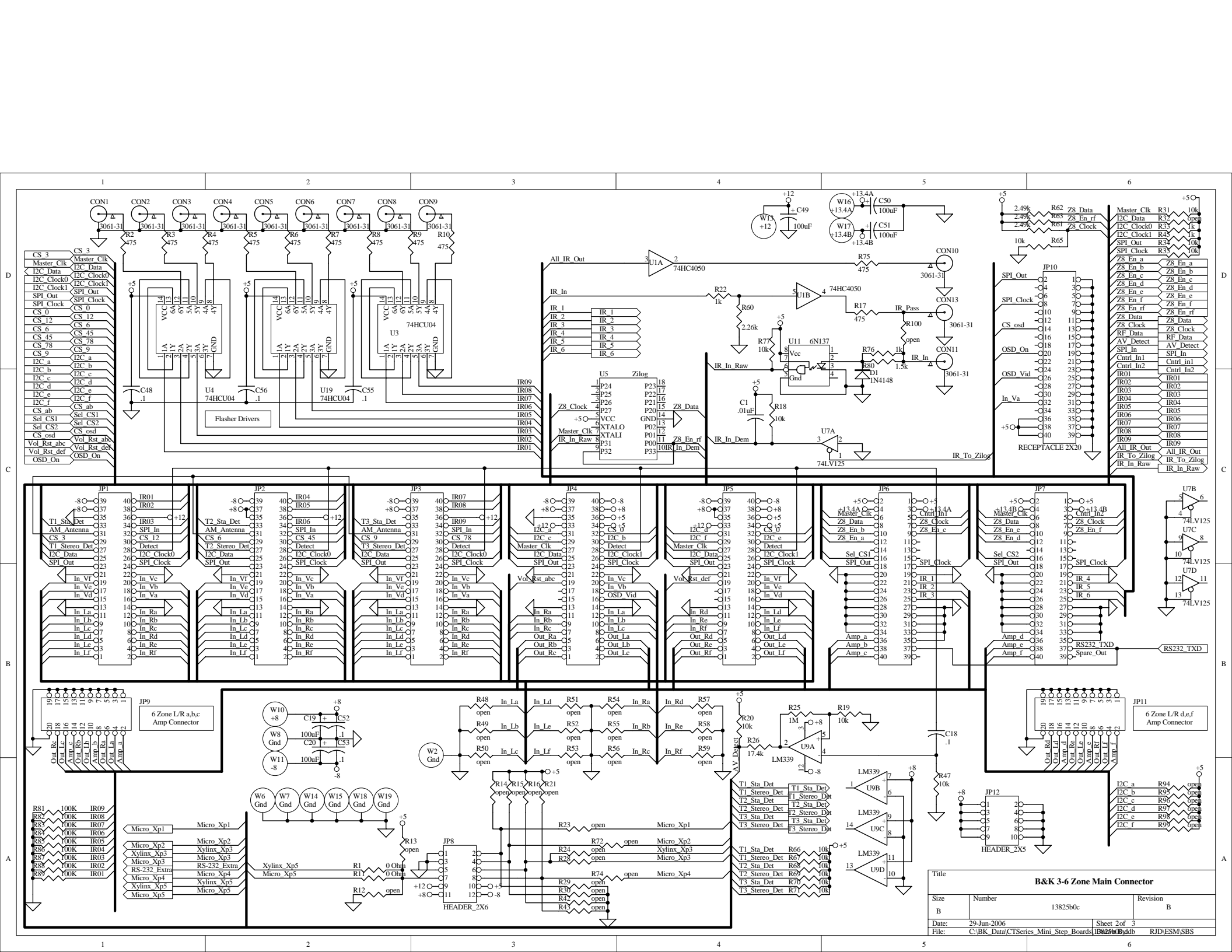
B&K COMPONENTS, LTD.
2100 Old Union Road
Buffalo, New York 14227-2725
U.S.A.

B & K

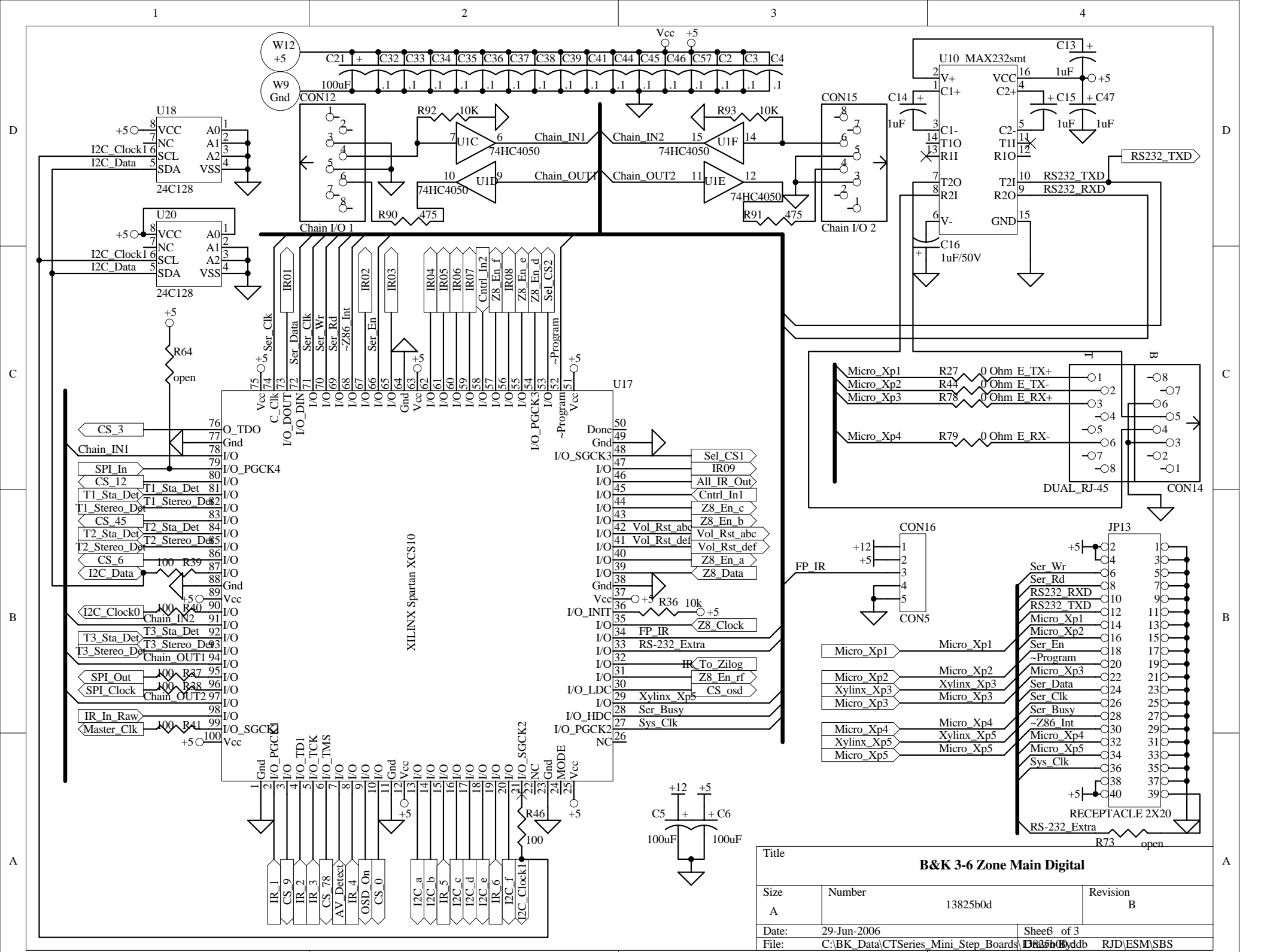
WE SIMPLY SOUND BETTER.

Schematics

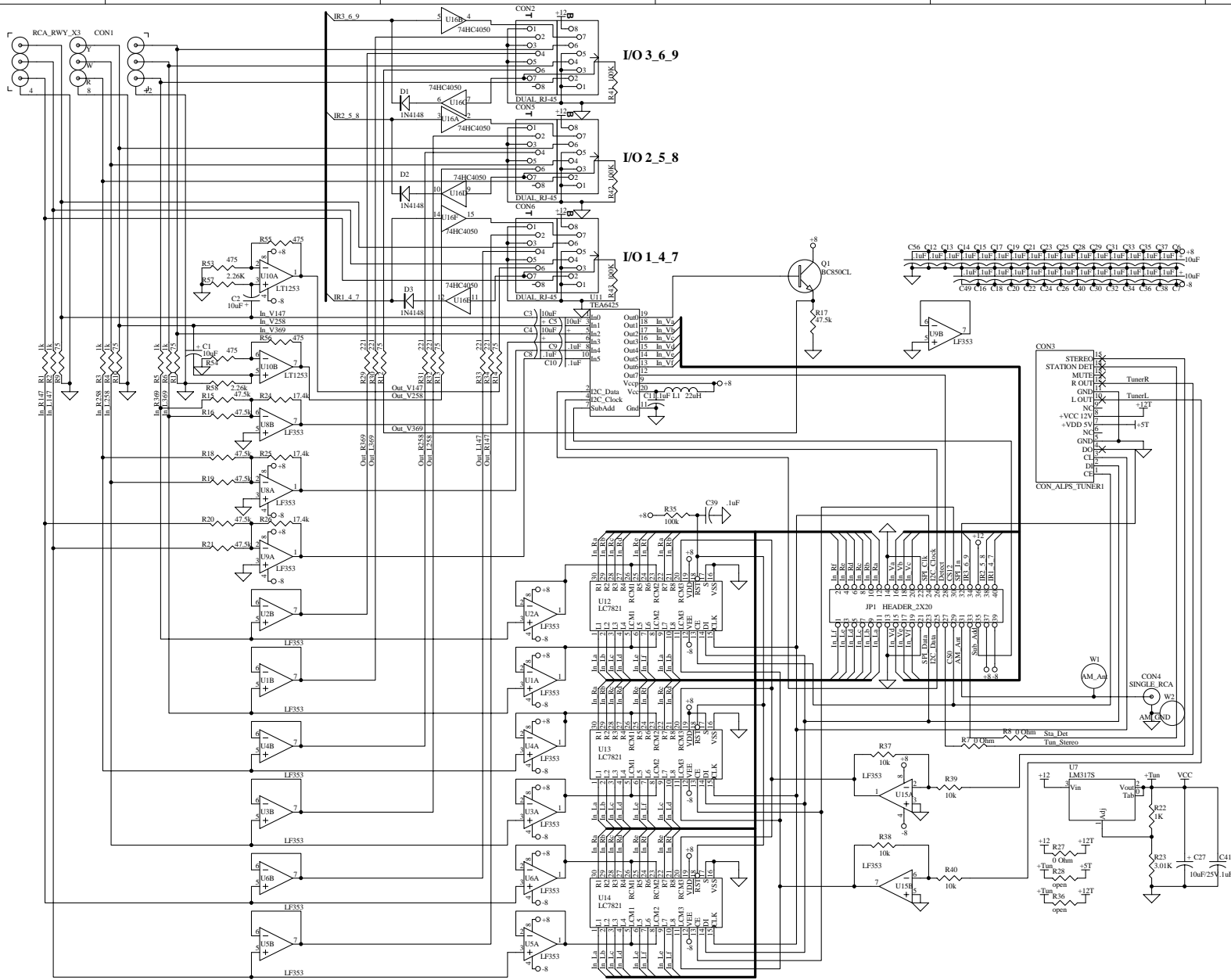
B&K COMPONENTS, LTD.
2100 Old Union Road
Buffalo, New York 14227-2725
U.S.A.



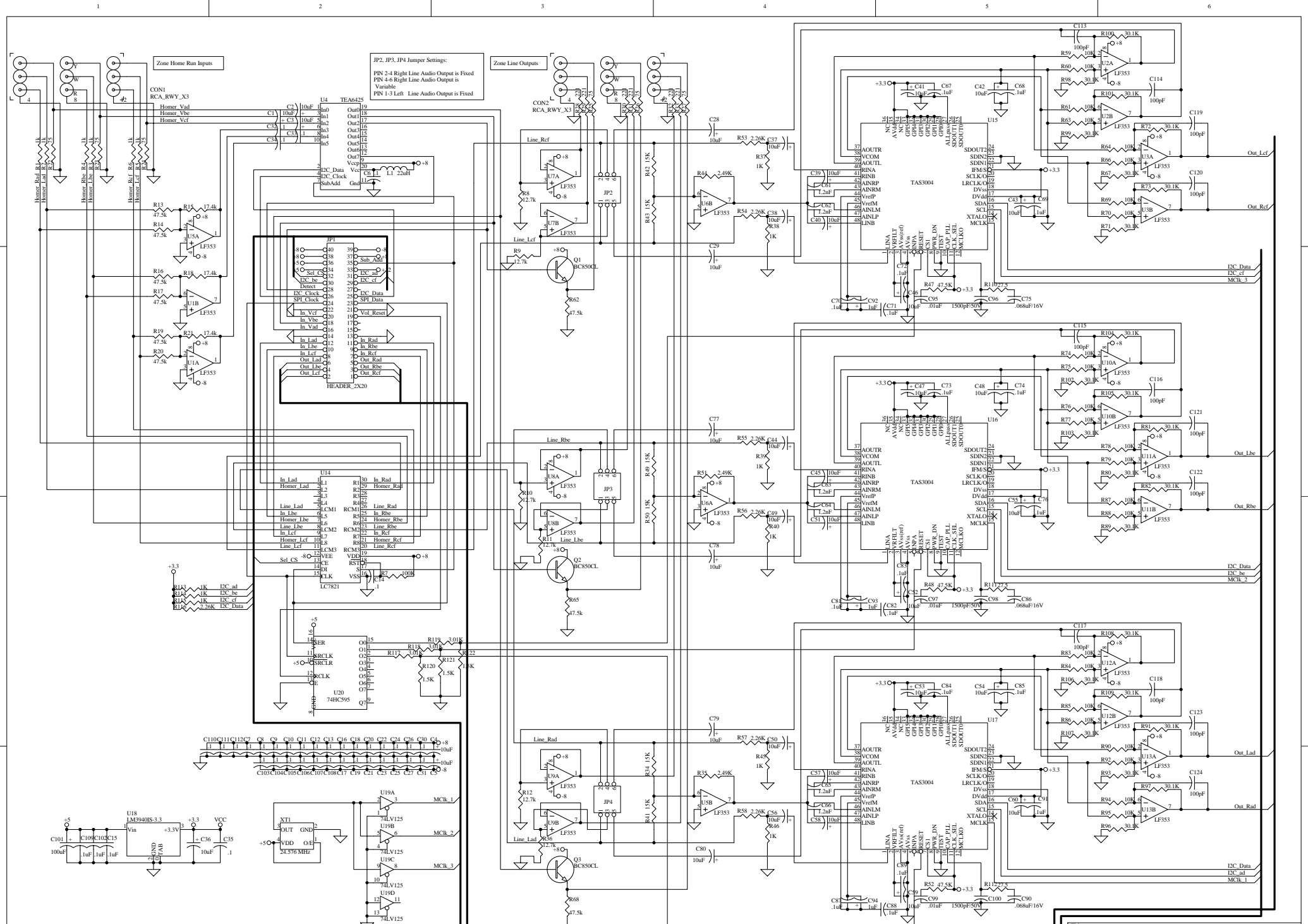
Title		
Size	Number	Revision
B	13825b0c	B
Date:	29-Jun-2006	Sheet 2of 3
File:	C:\BK_Data\CTSeries Mini Step Boards\13825b0c.dbd	RJD/ESM/SBS



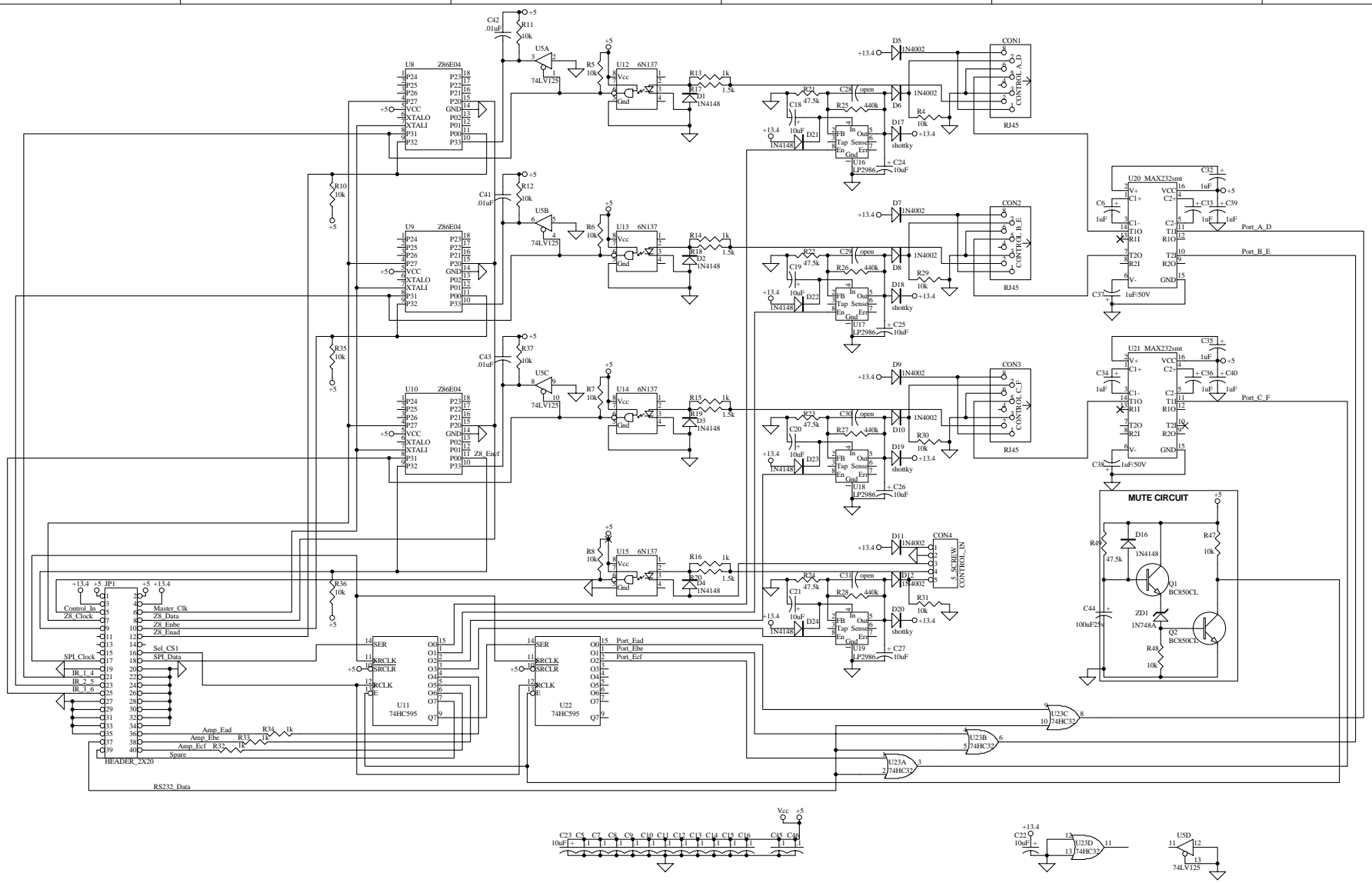
Title			
		B&K 3-6 Zone Main Digital	
Size	Number	13825b0d	Revision B
Date:	29-Jun-2006	Sheet# of 3	
File:	C:\BK_Data\CTSeries_Mini_Step_Boards\13825b0ddb	RJD/ESM/SBS	



Title		
B&K 3-6 Channel IO Selector_Tuner		
Size	Number	Revision
C	13823800	B
Date:	29-Jun-2006	Sheet of 1
File:	C:\BK_Data\C\Series_Mini_Smp_Board\Drawn\Bjdb_RJD\ESM\BKS	

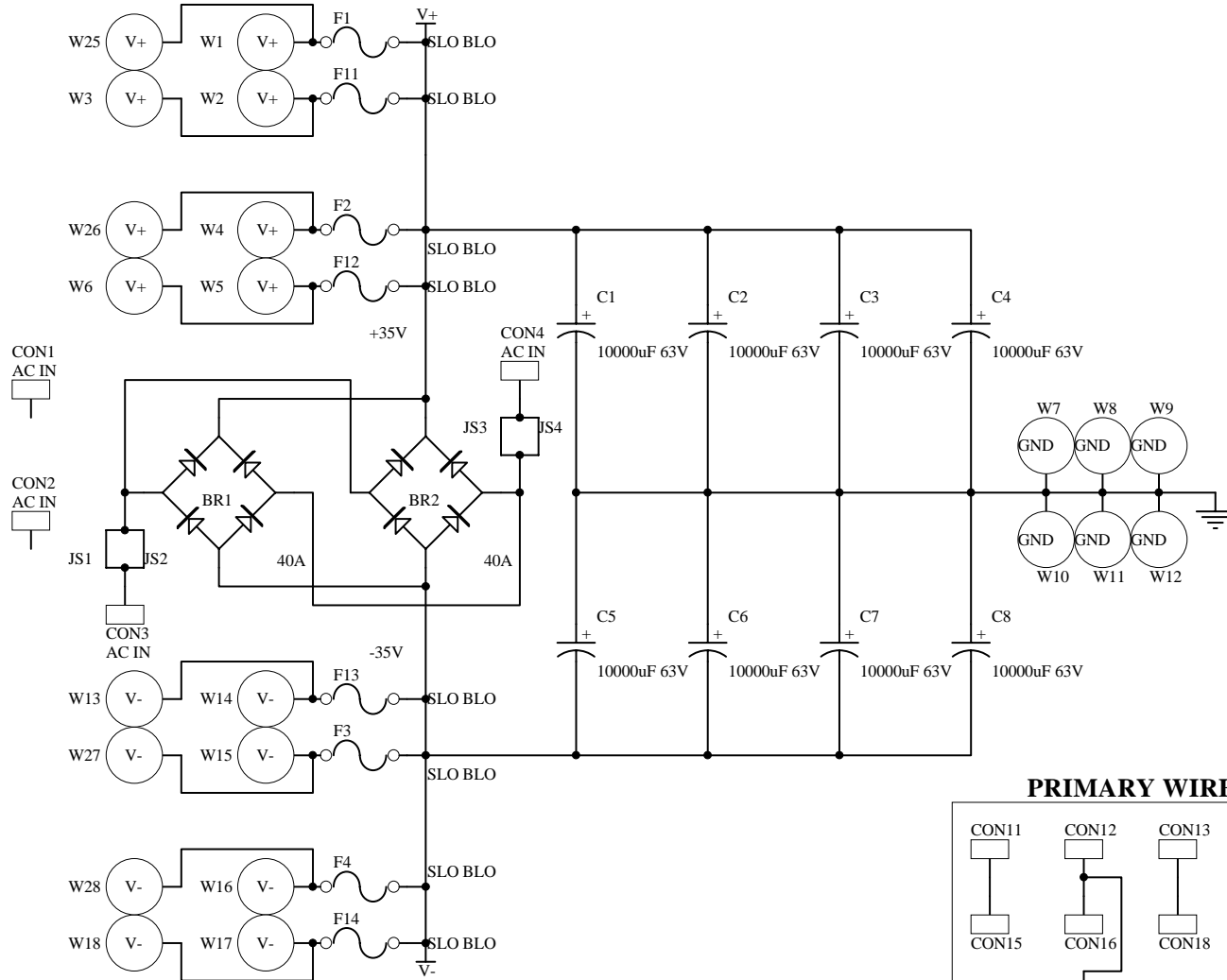


Title				B&K 3-6 Zone I/O Board			
Size	C	Number	1382400	Revision	B		
Date:	29-Jun-2006		Sheet 1 of 1				
File:	C:\Bk_Data\C\Series_Atm_Sep_Board\B&K3-6\Bdb_RJ\DESMSBS						

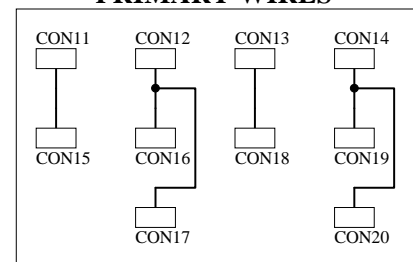


Title			
B&K 3-6 Zone Control Board			
Size	Number	1382600	Revision
C			A
Date:	22-Nov-2005	Sheet 1 of	RJD/ESM/SBS
File:	C:\BK_Data\C\Series_Mini_Smp_Board	DR006	By:db

POWER SUPPLY

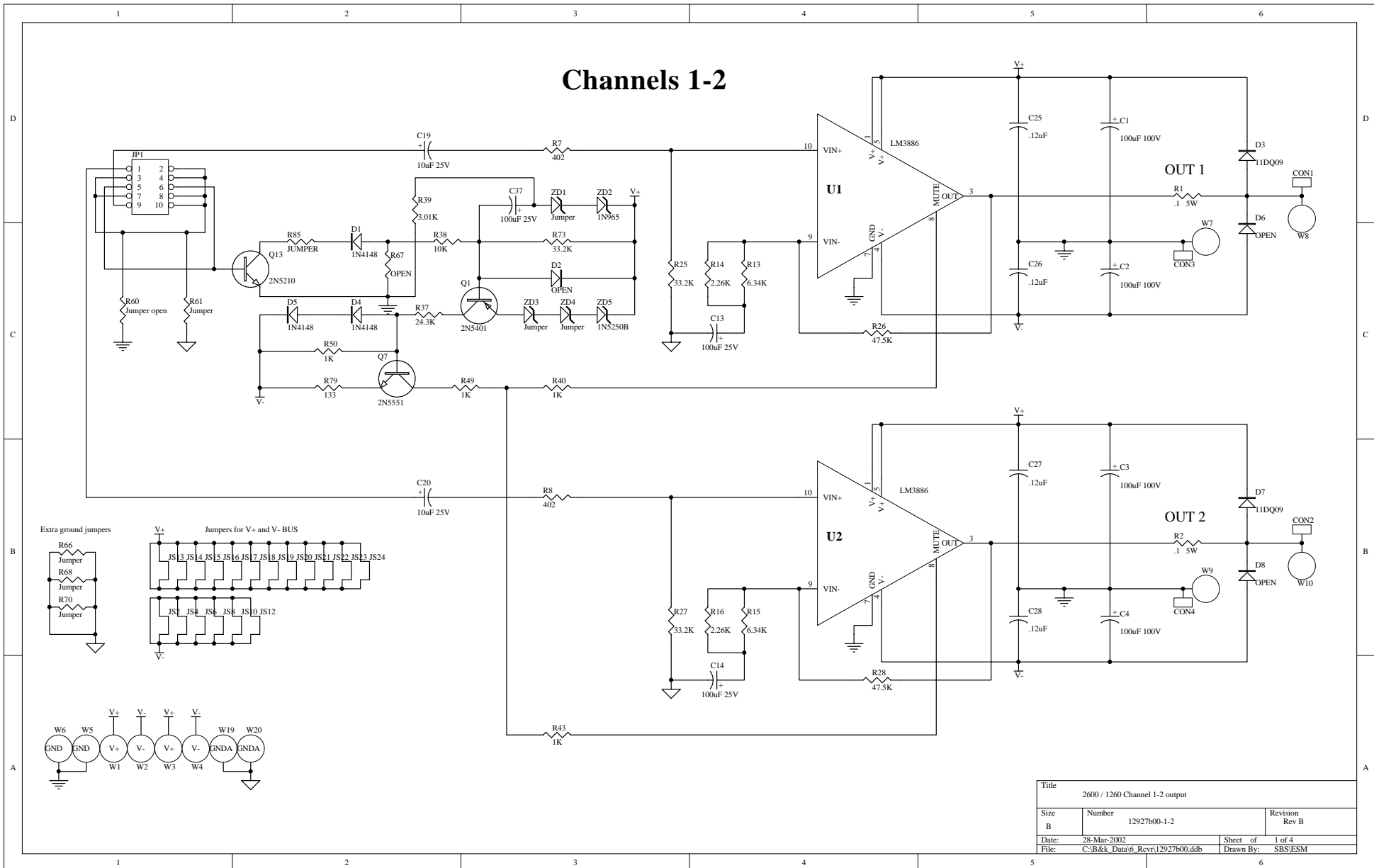


PRIMARY WIRES



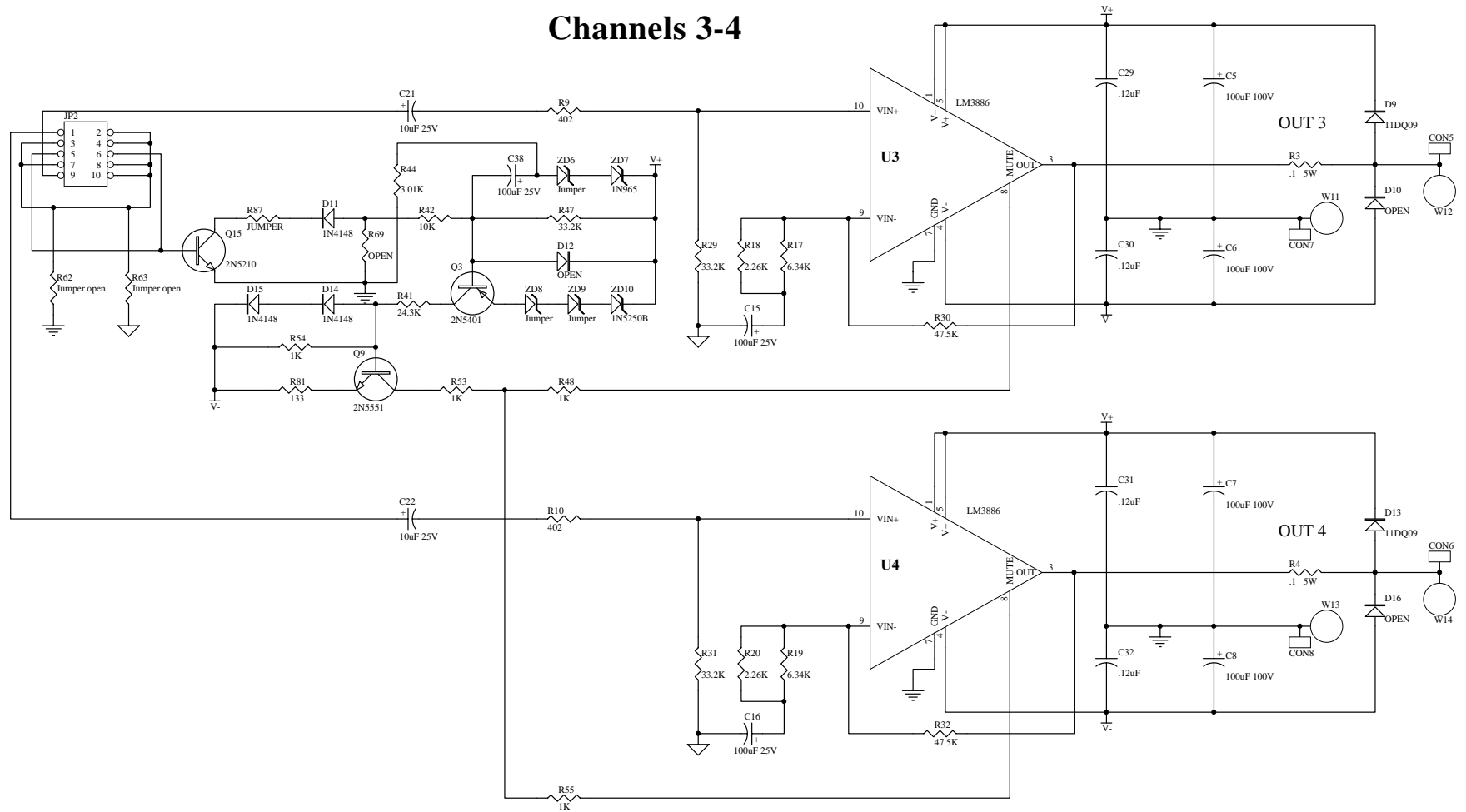
Title			3-6 Channel Power Supply - High Current		
Size	Number	Revision		Rev -	
A	13149-0H				
Date:	28-Mar-2002	Sheet of	2 of 3		
File:	C:\B&k_Data\6_Rev\Rev-ddB\13149-00.d	Drawn By:	SBS/ESM		

Channels 1-2



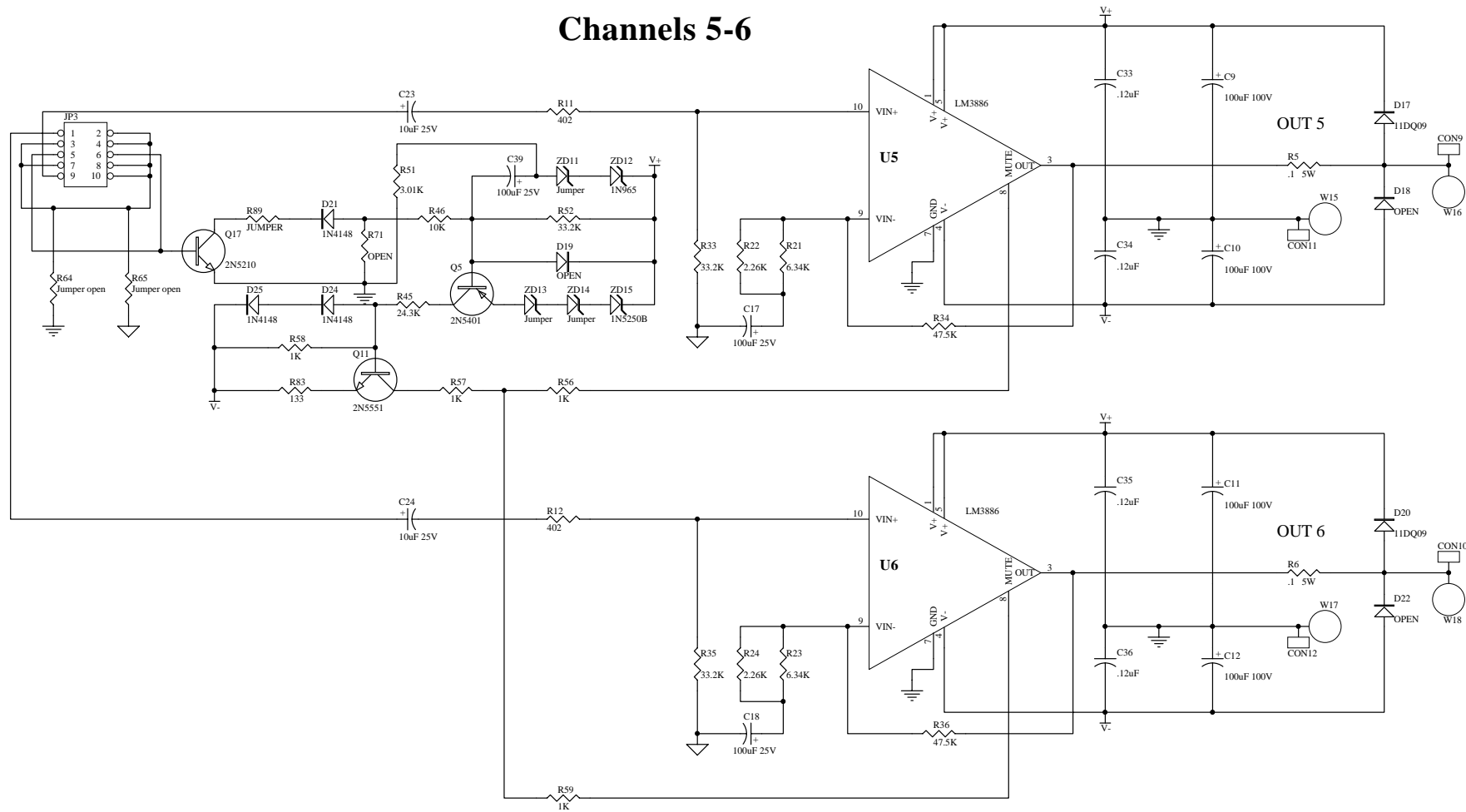
Title			
2600 / 1260 Channel 1-2 output			
Size	Number	Revision	
B	12927b00-1-2	Rev B	
Date:	28-Mar-2002	Sheet of	1 of 4
File:	C:\B&k Data\6_Rcvr\12927b00.ddb	Drawn By:	SBS:ESM

Channels 3-4

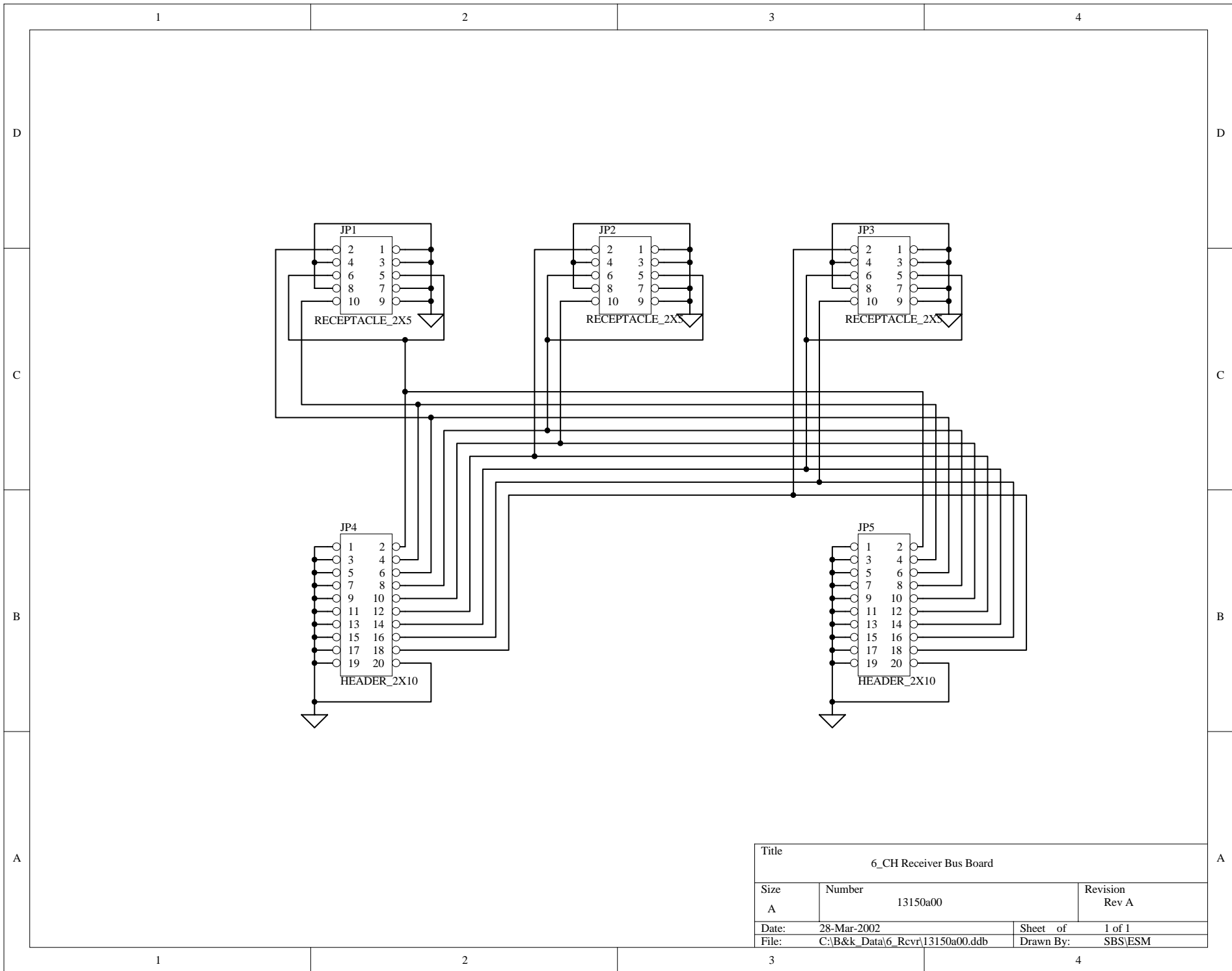


Title			
2600 / 1260 Channel 3-4 output			
Size	Number	Revision	
B	12927600-3-4	Rev B	
Date:	28-Mar-2002	Sheet of	2 of 4
File:	C:\B&k Data\6_Rev\12927600.ddb	Drawn By:	SBS:ESM

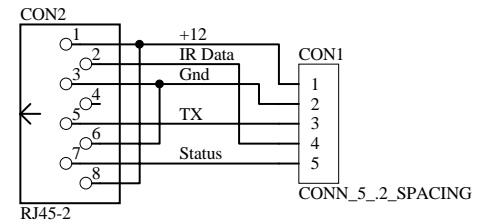
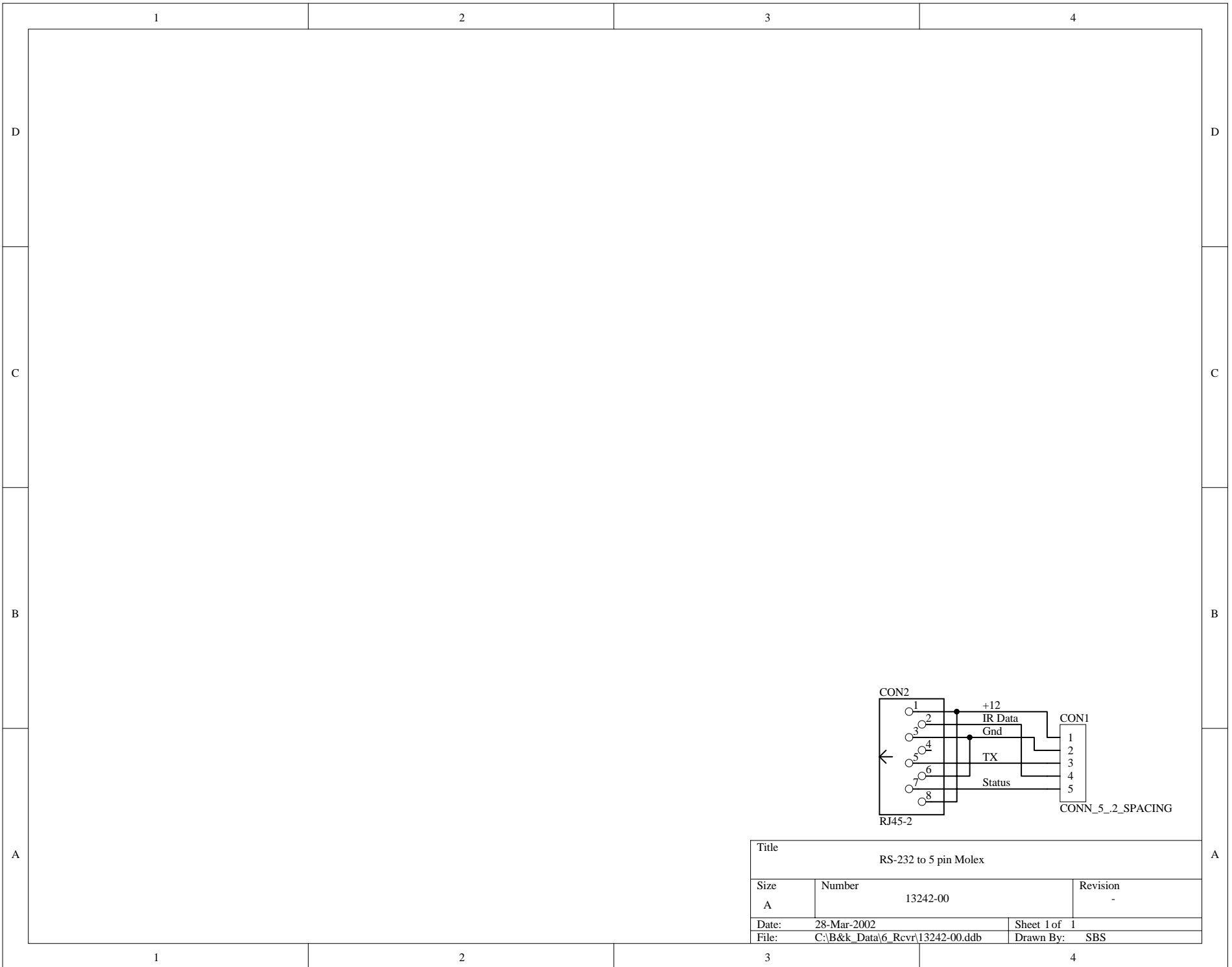
Channels 5-6



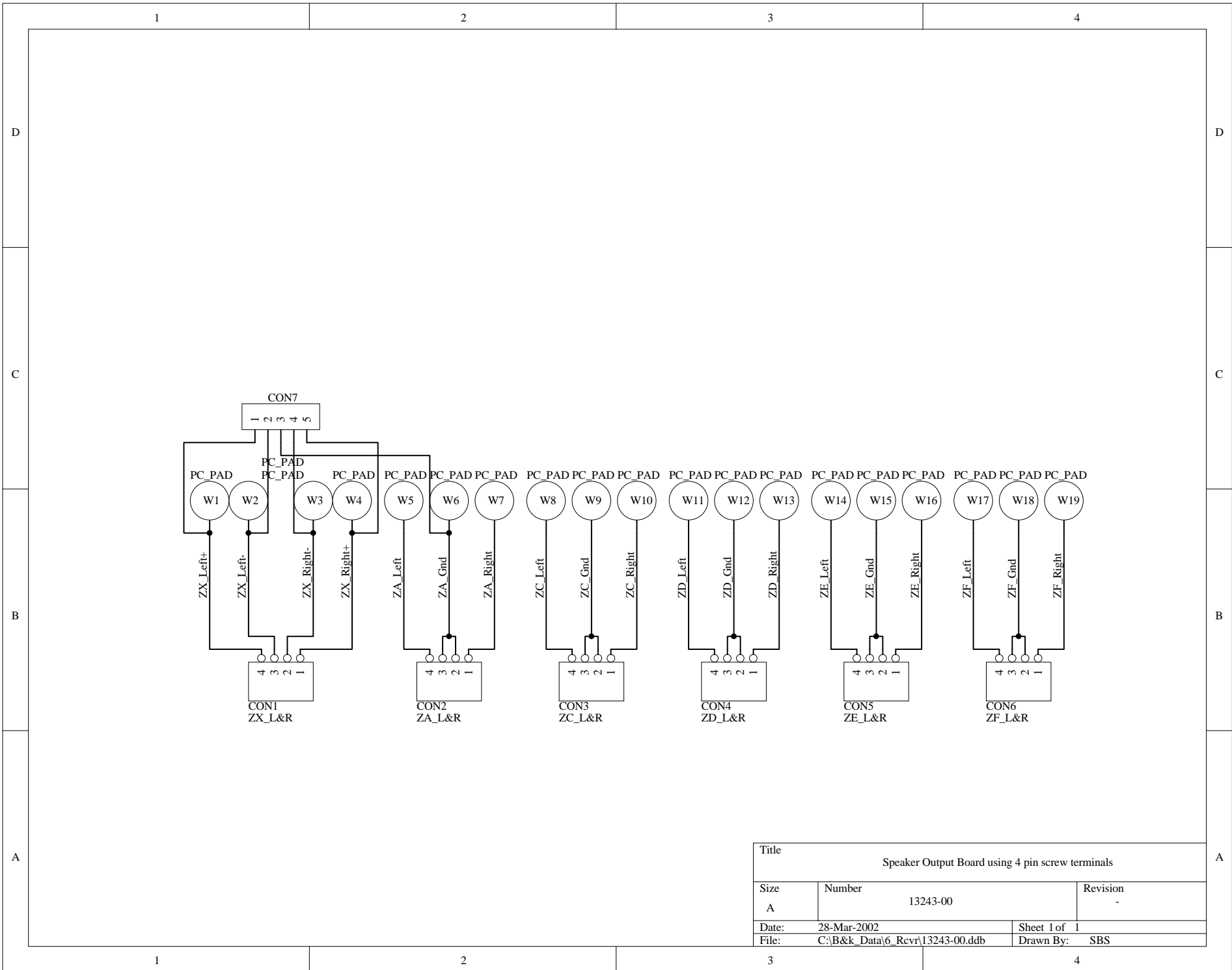
Title			
2600 / 1260 Channel 5-6 output			
Size	Number	Revision	
B	12927600-5-6	Rev B	
Date:	28-Mar-2002	Sheet of	3 of 4
File:	C:\B&k_Data\6_Rev\12927600.ddb	Drawn By:	SBS:ESM



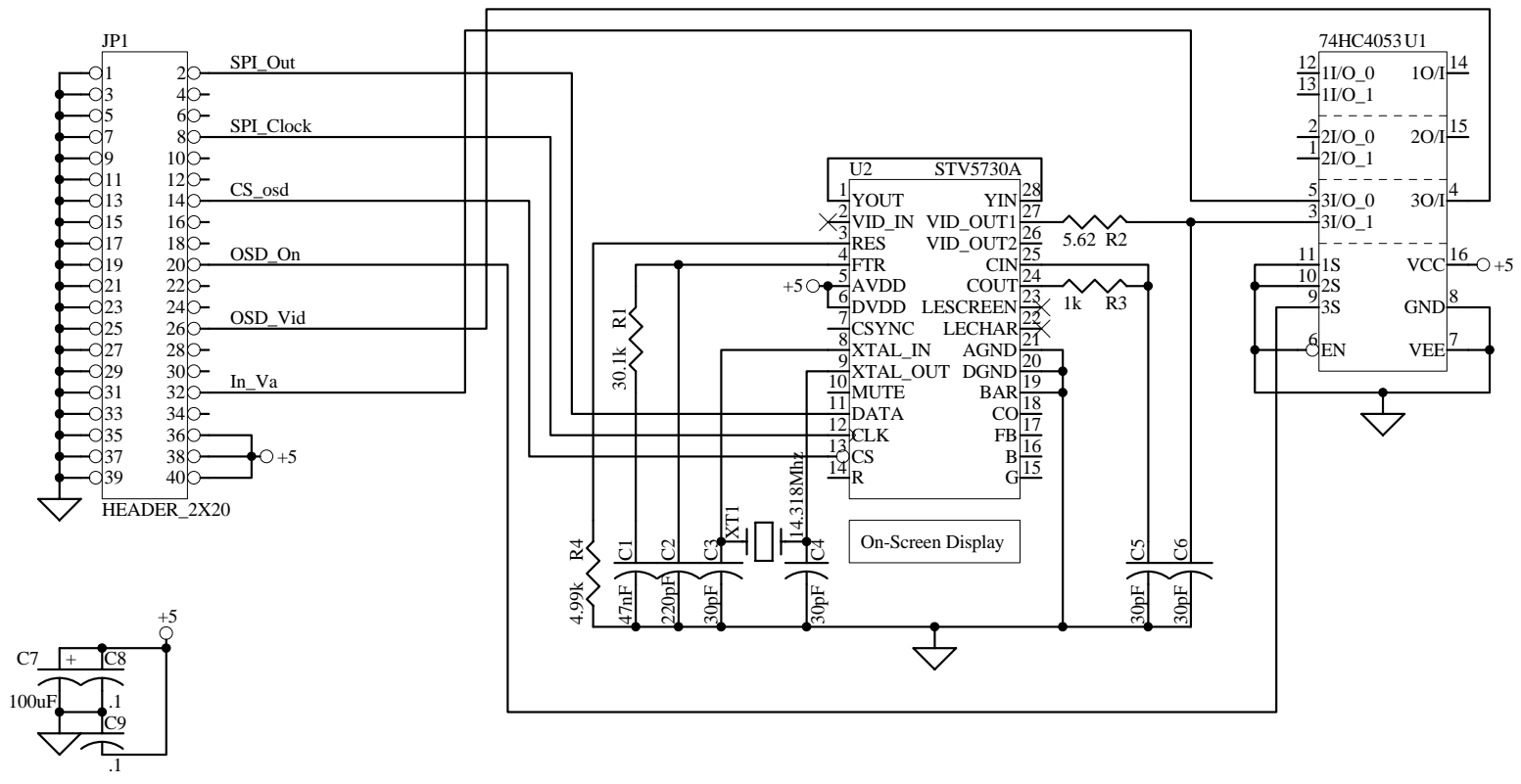
Title			
6_CH Receiver Bus Board			
Size	Number	Revision	
A	13150a00	Rev A	
Date:	28-Mar-2002	Sheet of	1 of 1
File:	C:\B&k_Data\6_Revr\13150a00.ddb	Drawn By:	SBS\ESM



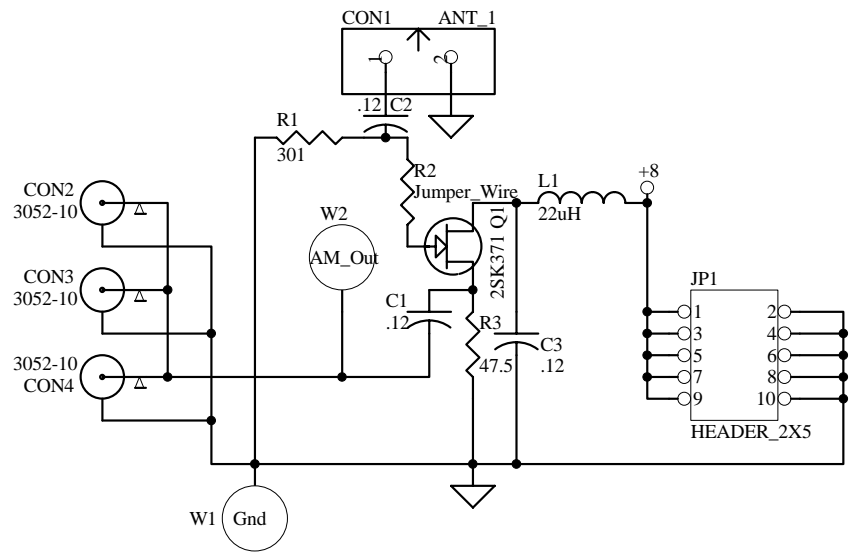
Title			RS-232 to 5 pin Molex		
Size	Number			Revision	
A	13242-00			-	
Date:	28-Mar-2002	Sheet 1 of 1			
File:	C:\B&k_Data\6_Rev\13242-00.ddb	Drawn By:		SBS	



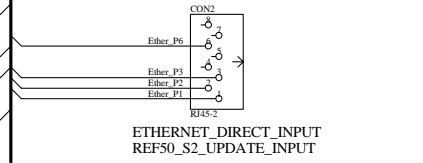
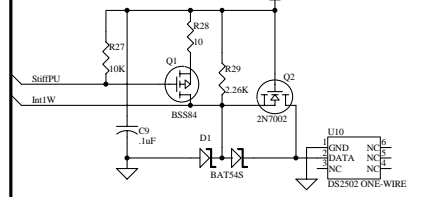
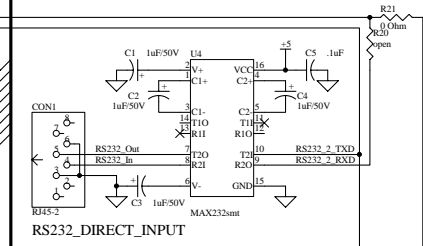
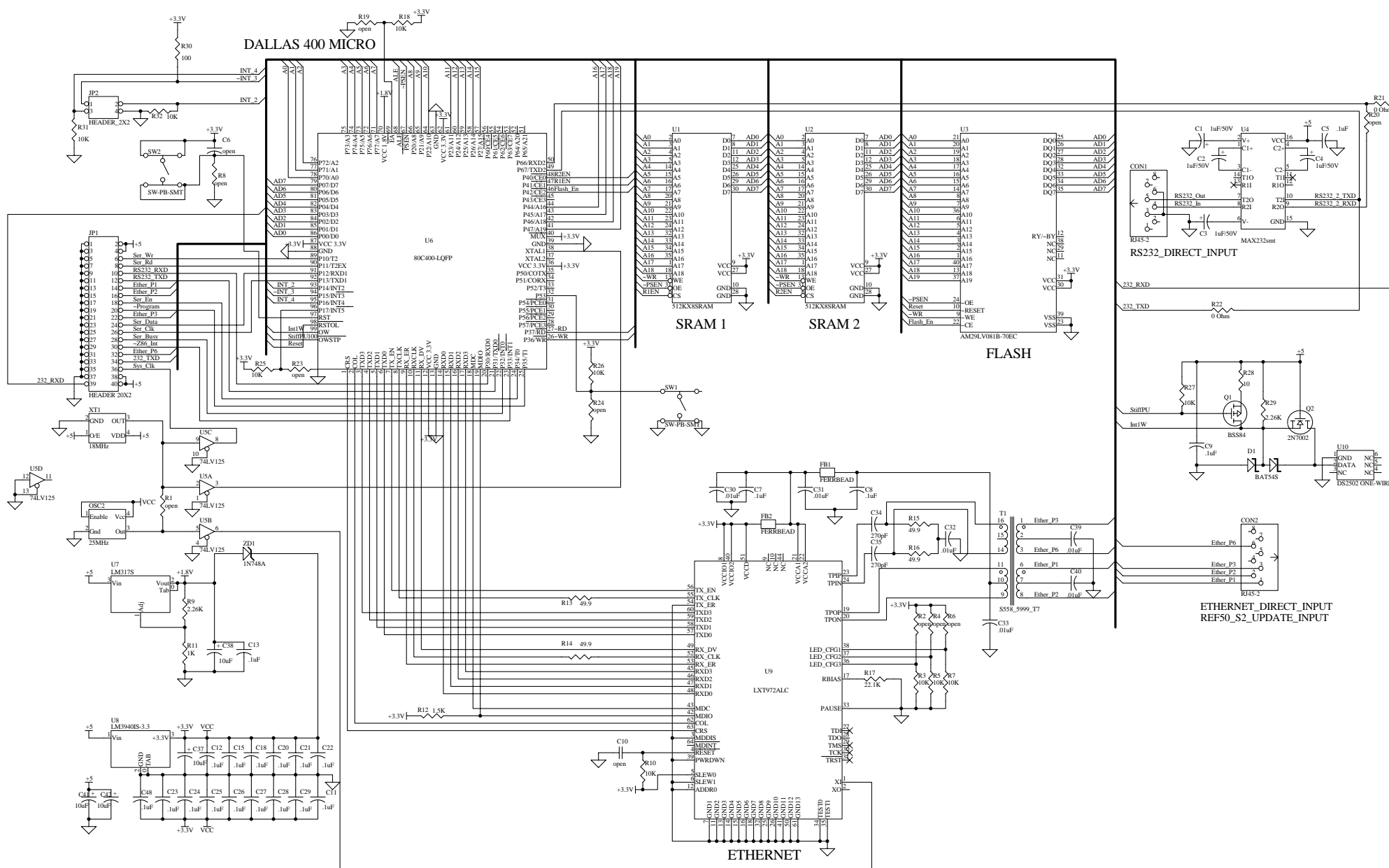
Title		
Speaker Output Board using 4 pin screw terminals		
Size	Number	Revision
A	13243-00	-
Date:	28-Mar-2002	Sheet 1 of 1
File:	C:\B&k_Data\6_Rev\13243-00.ddb	Drawn By: SBS



Title			Video OSD Board for CT Product		
Size	Number	Revision			
A	13844-00	REV -			
Date:	29-Jun-2006	Sheet of	1 of 1		
File:	C:\BK_Data\CTSeries_Mini_Step_Boards\13844-00.dds				



Title			AM Tuner Board for CT product		
Size	Number			Revision	
A	13845a00			REV A	
Date:	29-Jun-2006	Sheet of		1 of 1	
File:	C:\BK_Data\CTSeries_Mini_Step_Boards\13845a00.dds				



Title DALLAS 400 MICRO-CONTROLLER BOARD with RS-232 and Ethernet		
Size	Number	Revision
C	13827600	B
Date:	29-Jun-2006	Sheet of 1 of 1
File:	C:\BK_Data\C\Series_Atm_Ste_Board\044\WB_Pfiles\13827600\866\RDJESM	