

WE SIMPLY SOUND BETTER.

CT610 - CT310

SERVICE MANUAL

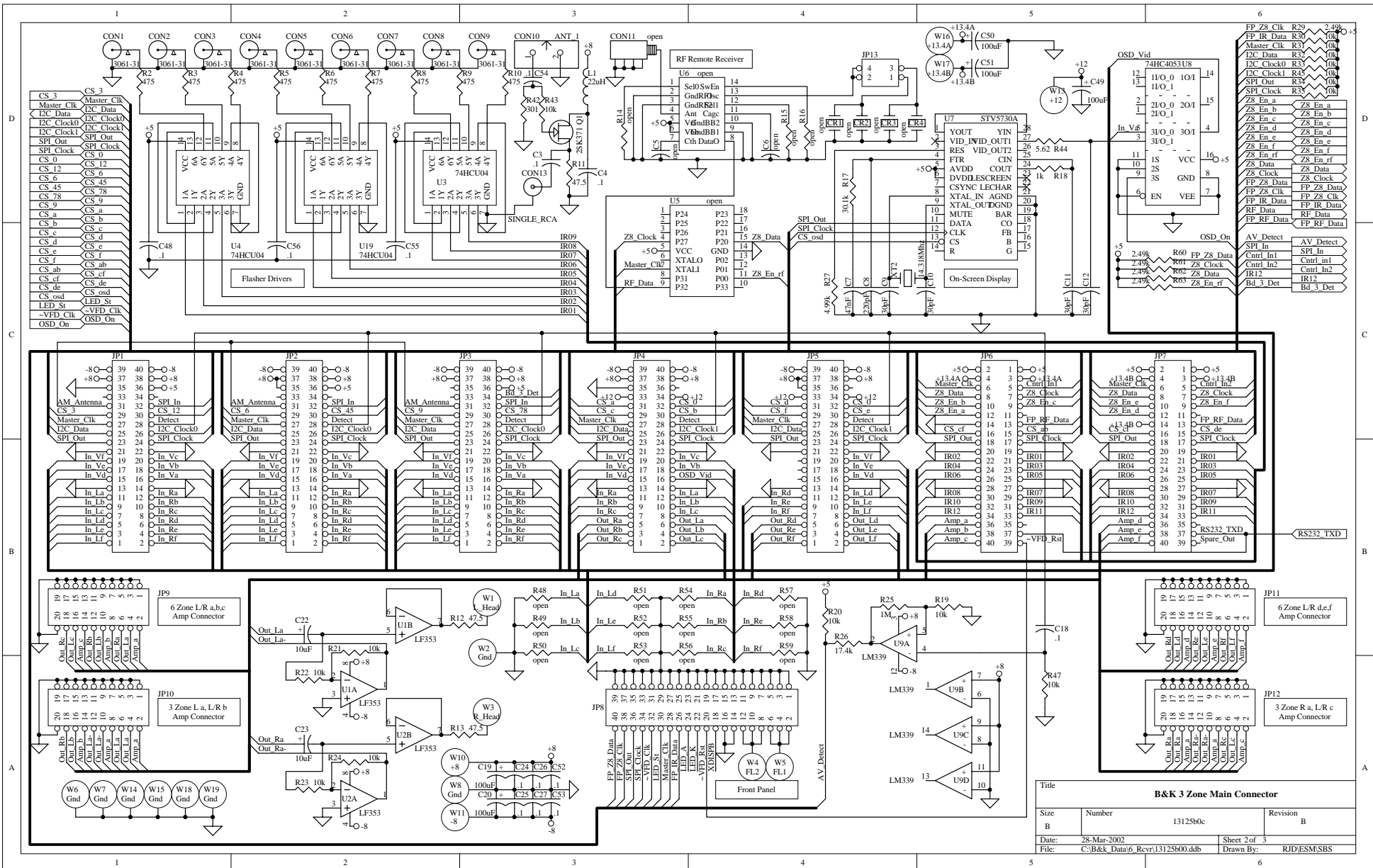
B&K COMPONENTS, LTD.
2100 Old Union Road
Buffalo, New York 14227-2725
U.S.A.

B & K

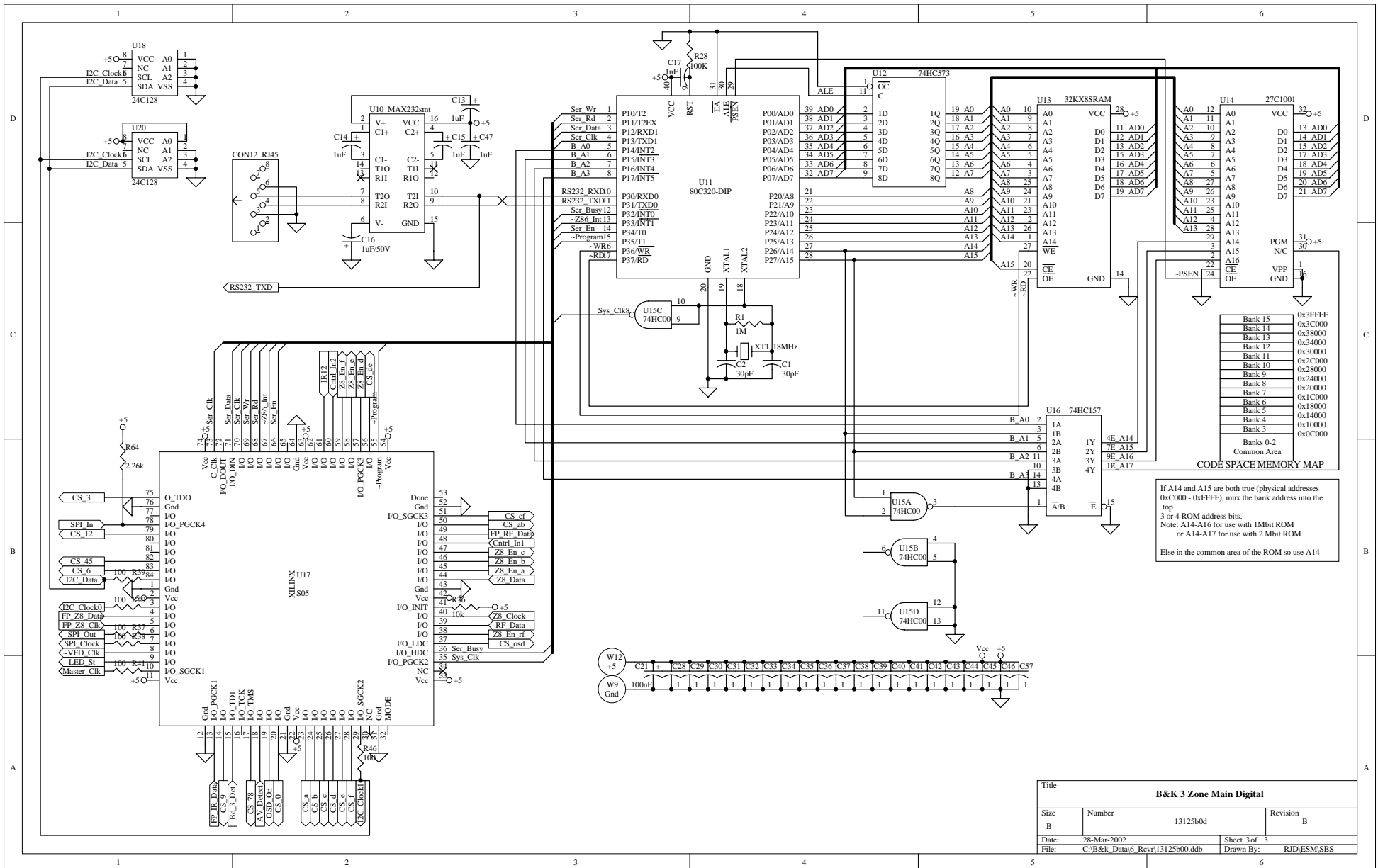
WE SIMPLY SOUND BETTER.

Schematics

B&K COMPONENTS, LTD.
2100 Old Union Road
Buffalo, New York 14227-2725
U.S.A.



Title			
B&K 3 Zone Main Connector			
Size	Number	13125b0c	Revision B
Date:	28-Mar-2002	Sheet 2 of 3	
File:	C:\B&k Data\6 Rcvr\13125b00.ddb	Drawn By:	RJD/ESM/SBS

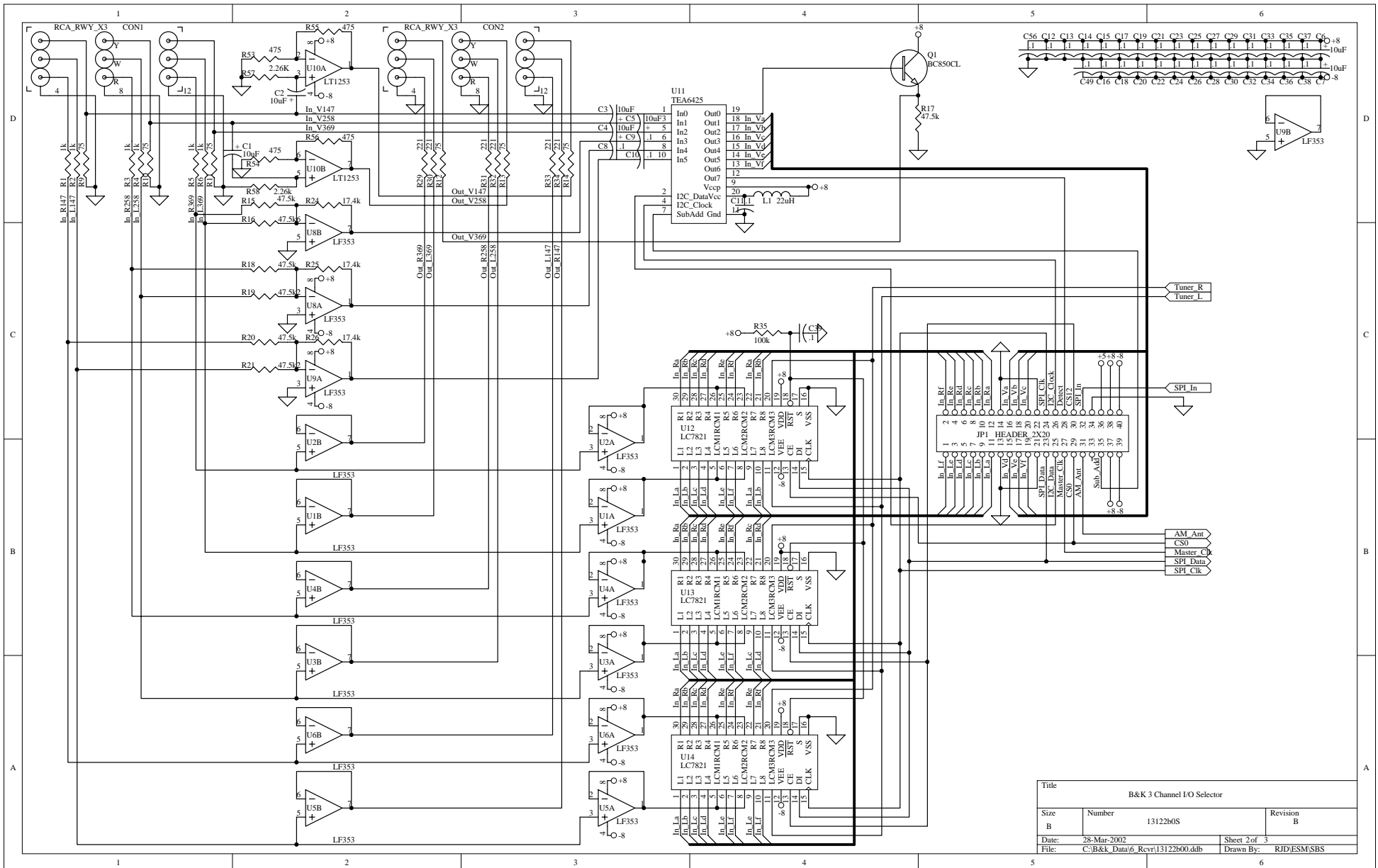


CODE SPACE MEMORY MAP

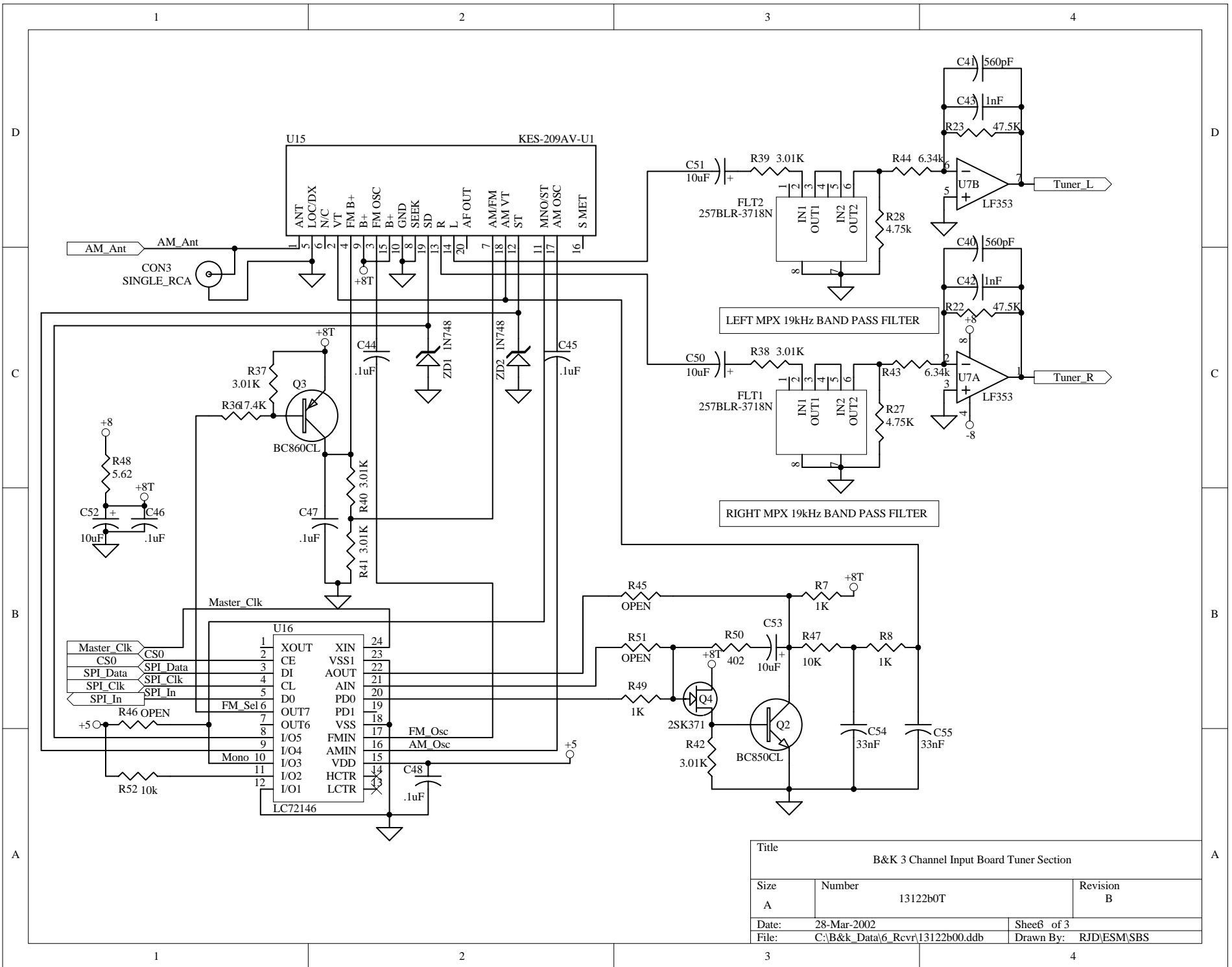
Bank 15	0x3FFFF
Bank 14	0x3C000
Bank 13	0x38000
Bank 12	0x34000
Bank 11	0x30000
Bank 10	0x2C000
Bank 9	0x28000
Bank 8	0x24000
Bank 7	0x20000
Bank 6	0x1C000
Bank 5	0x18000
Bank 4	0x14000
Bank 3	0x10000
Bank 2	0x0C000
Bank 1	0x00000
Common Area	0x00000 - 0x00000

If A14 and A15 are both true (physical addresses 0xC000 - 0xFFFF), mux the bank address into the top 3 or 4 ROM address bits.
 Note: A14-A16 for use with 1Mbit ROM or A14-A17 for use with 2 Mbit ROM.
 Else in the common area of the ROM so use A14

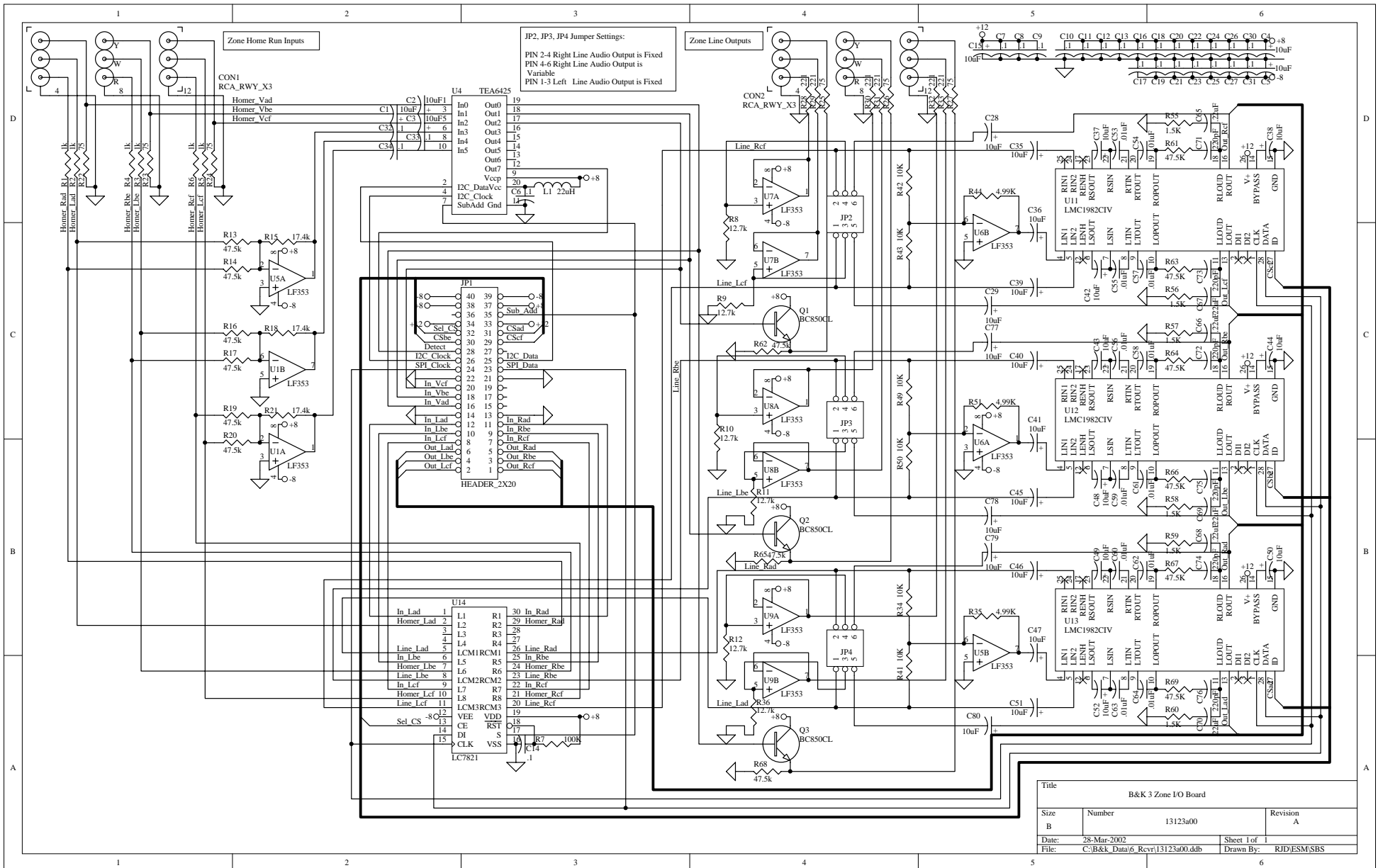
Title			
B&K 3 Zone Main Digital			
Size	Number	13125b0d	Revision
B			B
Date:	28-Mar-2002	Sheet 3 of 3	
File:	C:\B&k_Data\6_Rcvt\13125b00.ddb	Drawn By:	RJD/ESM/SBS



Title			
B&K 3 Channel I/O Selector			
Size	Number	13122B0S	Revision
B			B
Date:	28-Mar-2002	Sheet 2 of 3	
File:	C:\B&k Data\6_Rcvr\13122B00.ddb	Drawn By:	RJD/ESM/SBS

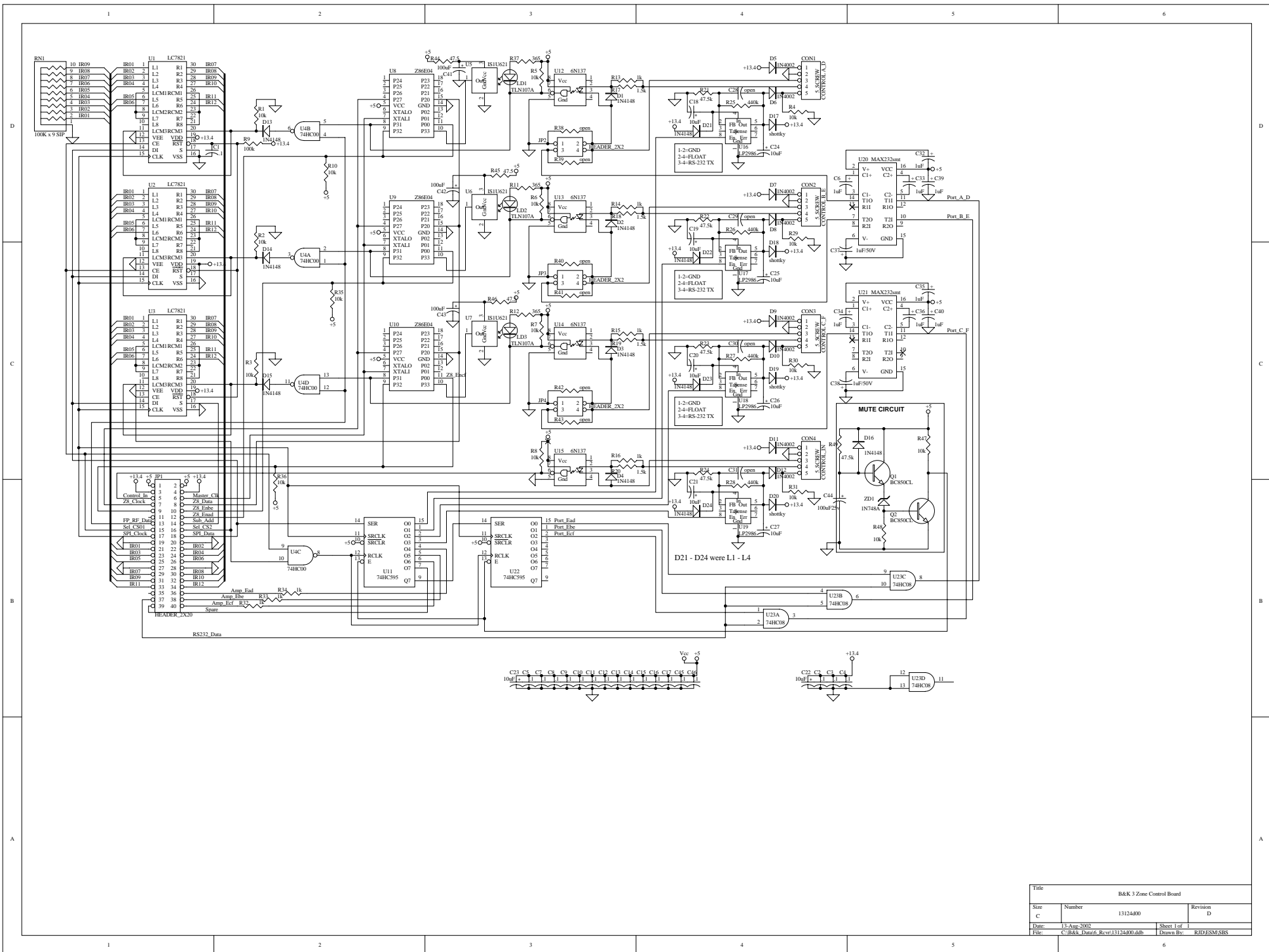


Title		
B&K 3 Channel Input Board Tuner Section		
Size	Number	Revision
A	13122b0T	B
Date:	28-Mar-2002	Sheef 6 of 3
File:	C:\B&k_Data\6_Revr\13122b00.ddb	Drawn By: RJD\ESM\SBS



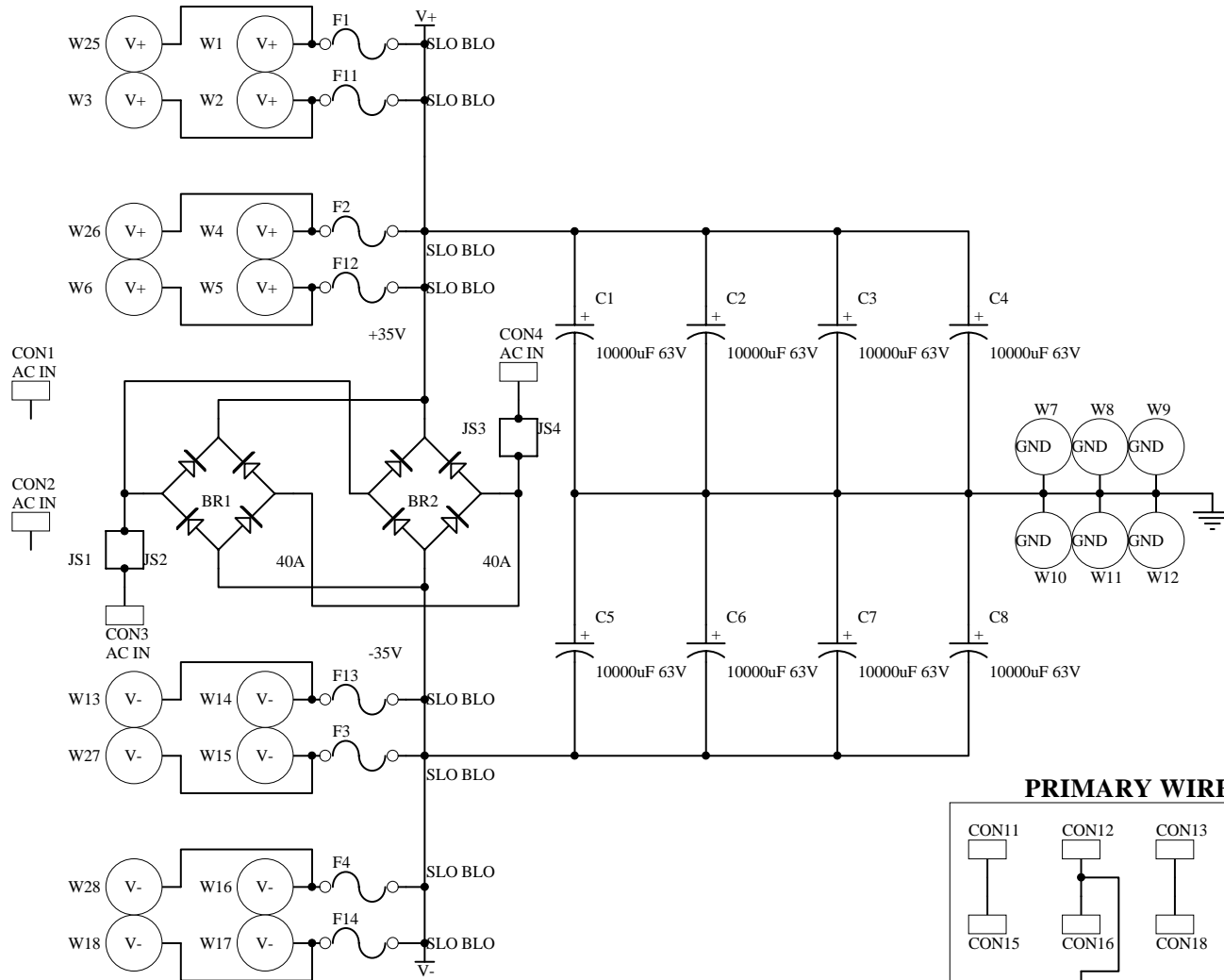
J2, JP3, JP4 Jumper Settings:
 PIN 2-4 Right Line Audio Output is Fixed
 PIN 4-6 Right Line Audio Output is Variable
 PIN 1-3 Left Line Audio Output is Fixed

Title			
B&K 3 Zone I/O Board			
Size	Number	Revision	
B	13123a00	A	
Date:	28-Mar-2002	Sheet 1 of 1	
File:	C:\B&k Data\6 Rcvr\13123a00.ddb	Drawn By:	RJD/ESM/SBS

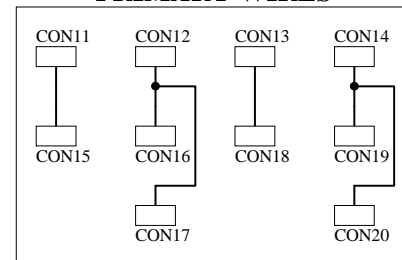


Title			
B&K 3 Zone Control Board			
Size	Number	13124800	Revision
c			D
Date:	12-Aug-2020	Sheet 1 of 1	
File:	C:\B&K_Data6_Rev\13124800.ddb	Drawn By:	RJD/MS/SIS

POWER SUPPLY

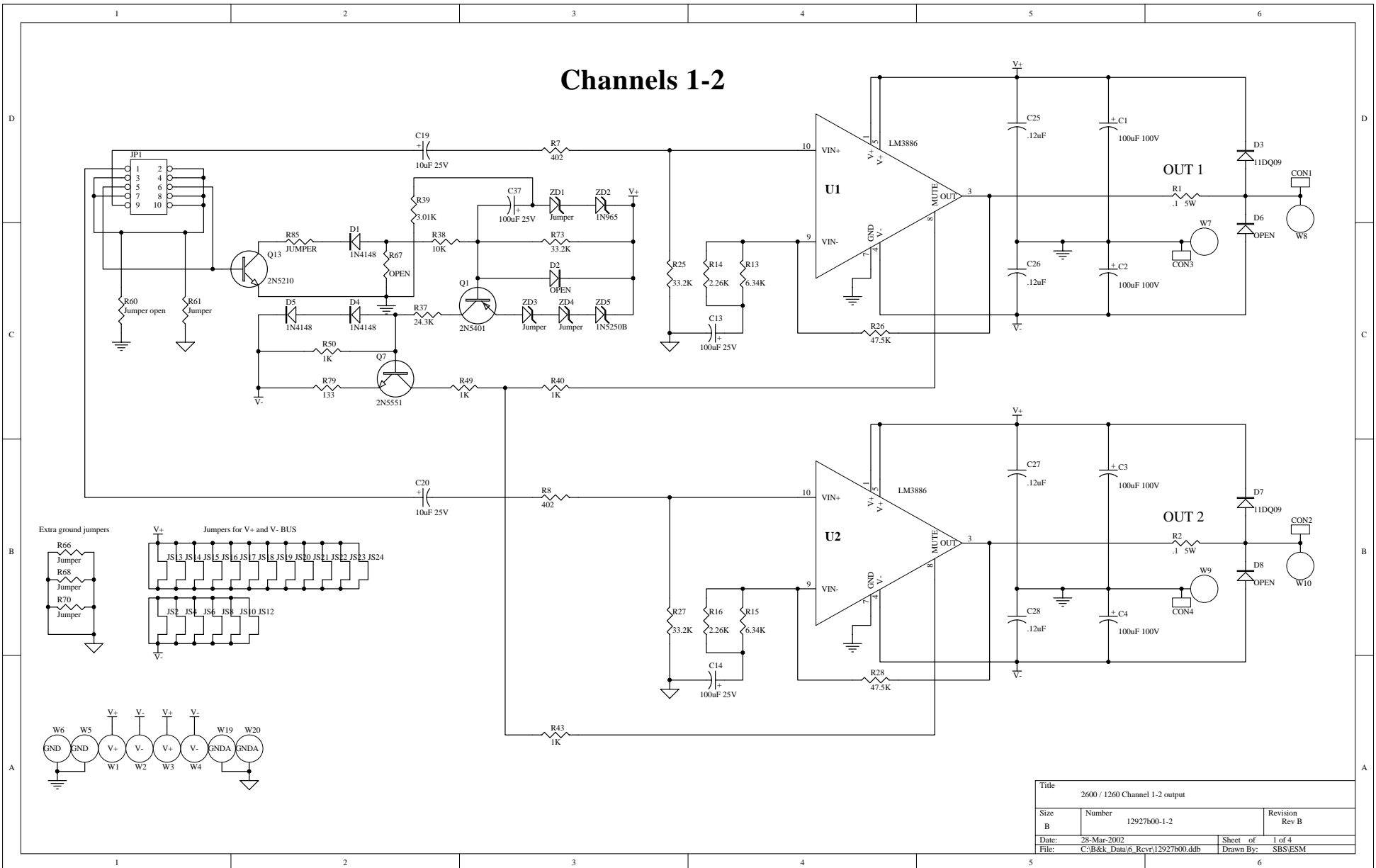


PRIMARY WIRES



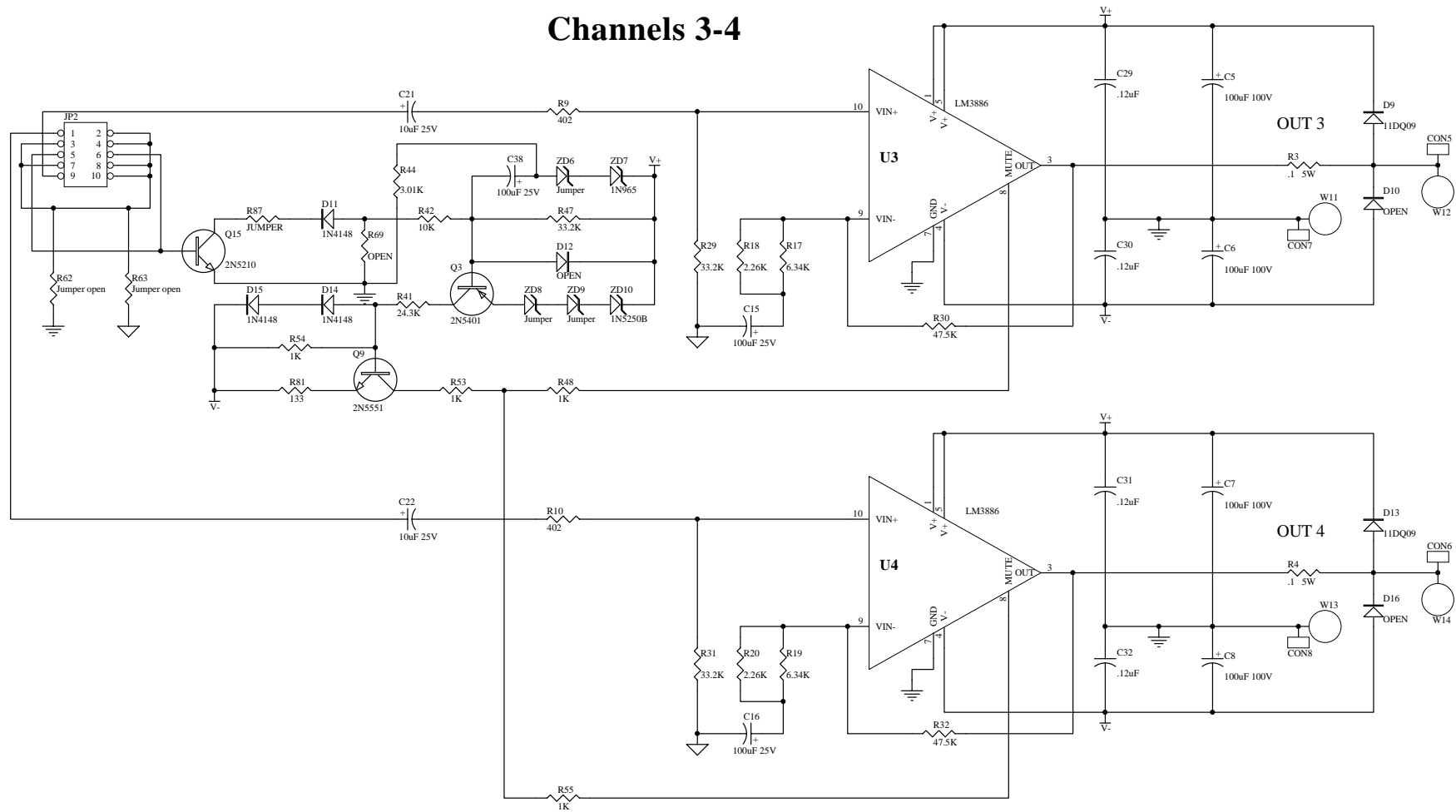
Title			3-6 Channel Power Supply - High Current		
Size	Number	Revision		Rev -	
A	13149-0H				
Date:	28-Mar-2002	Sheet of	2 of 3		
File:	C:\B&k_Data\6_Rev\Rev-ddB\13149-00.d	Drawn By:	SBS/ESM		

Channels 1-2



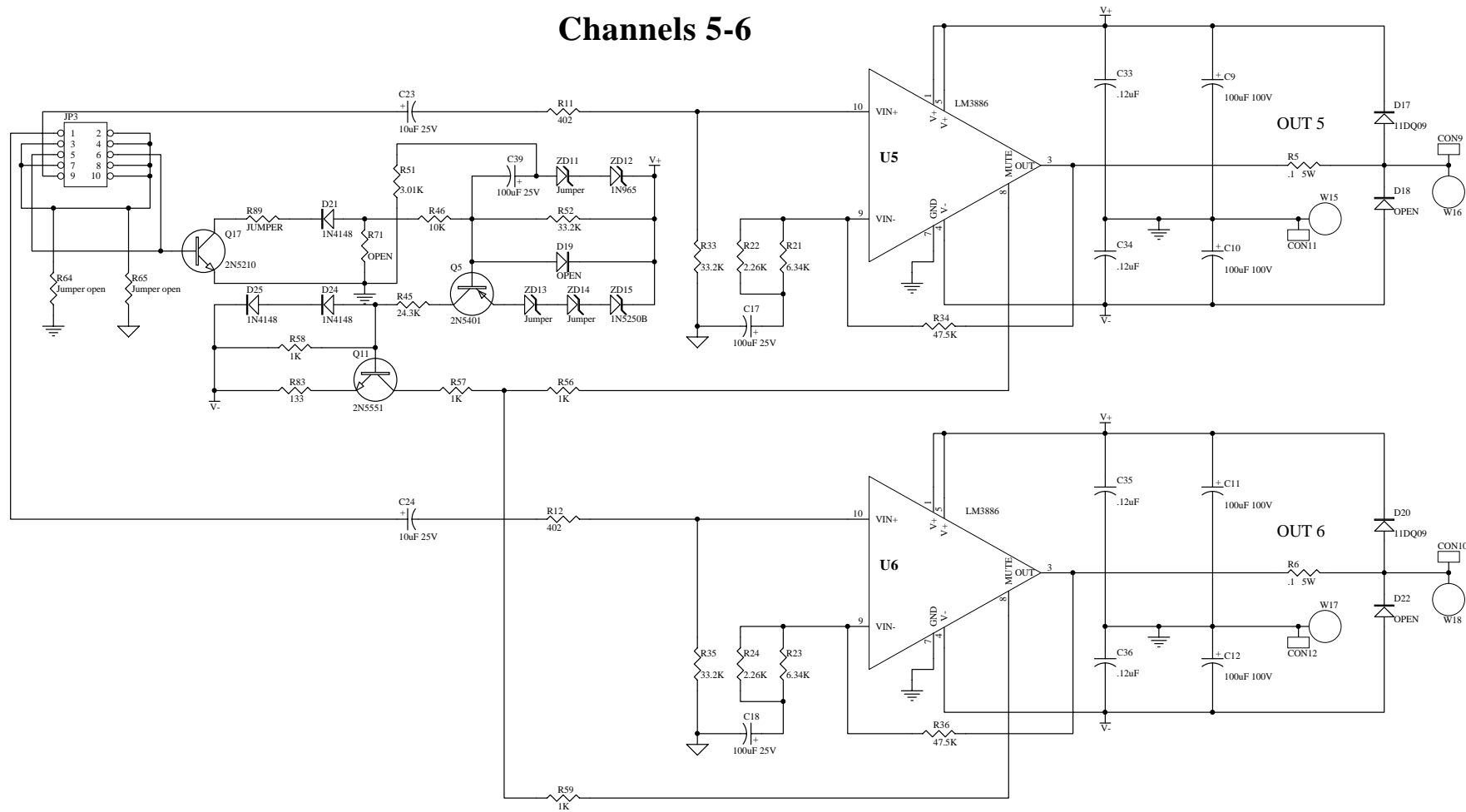
Title			
2600 / 1260 Channel 1-2 output			
Size	Number	Revision	
B	12927b00-1-2	Rev B	
Date:	28-Mar-2002	Sheet of	1 of 4
File:	C:\B&k Data\6_Rcvr\12927b00.ddb	Drawn By:	SBS:ESM

Channels 3-4

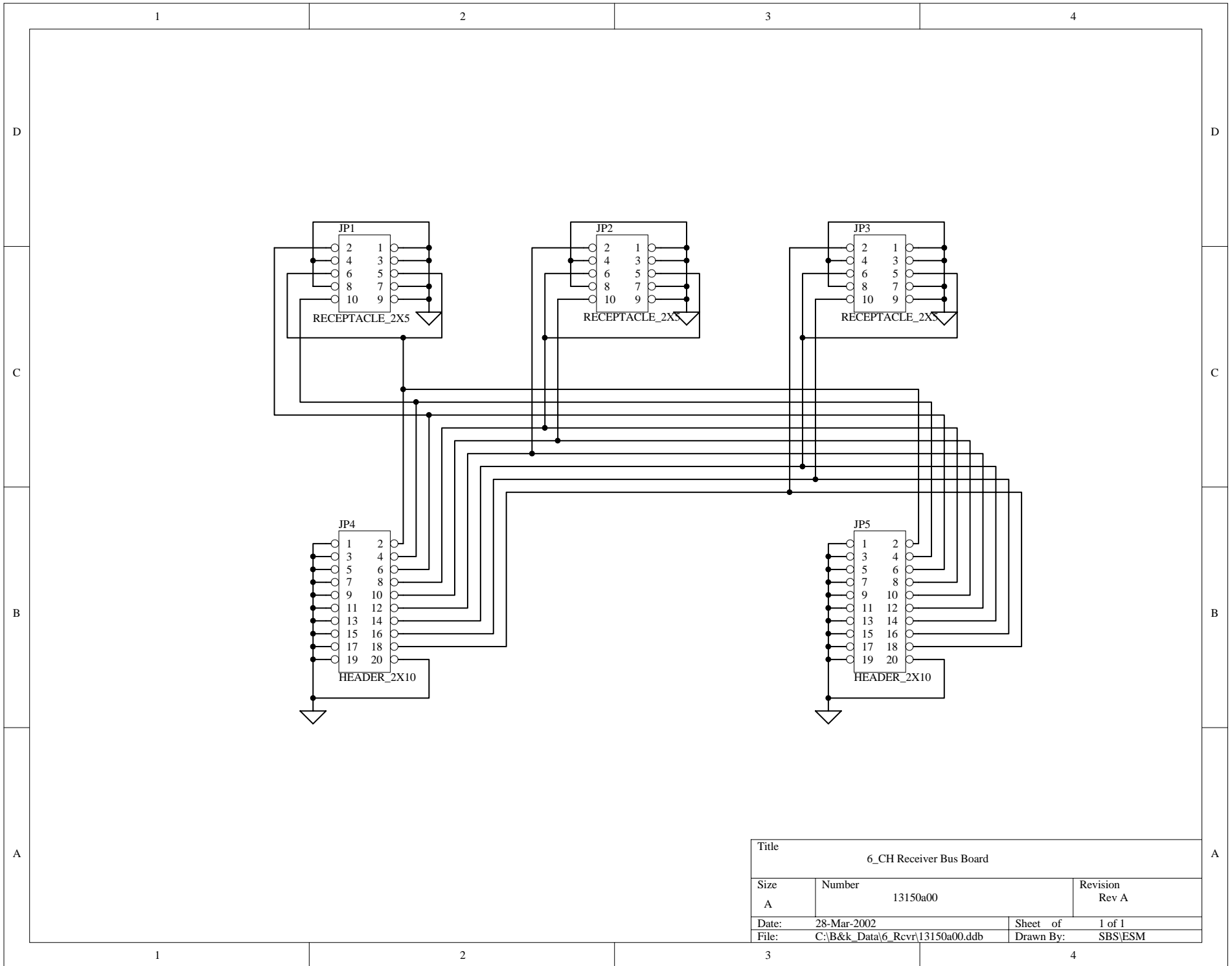


Title			
2600 / 1260 Channel 3-4 output			
Size	Number	Revision	
B	12927600-3-4	Rev B	
Date:	28-Mar-2002	Sheet of	2 of 4
File:	C:\B&k Data\6_Rev\12927600.ddb	Drawn By:	SBS:ESM

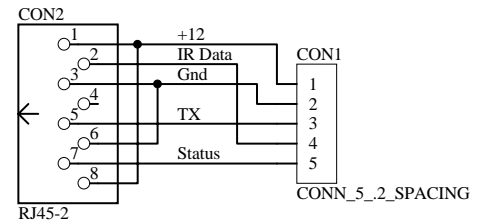
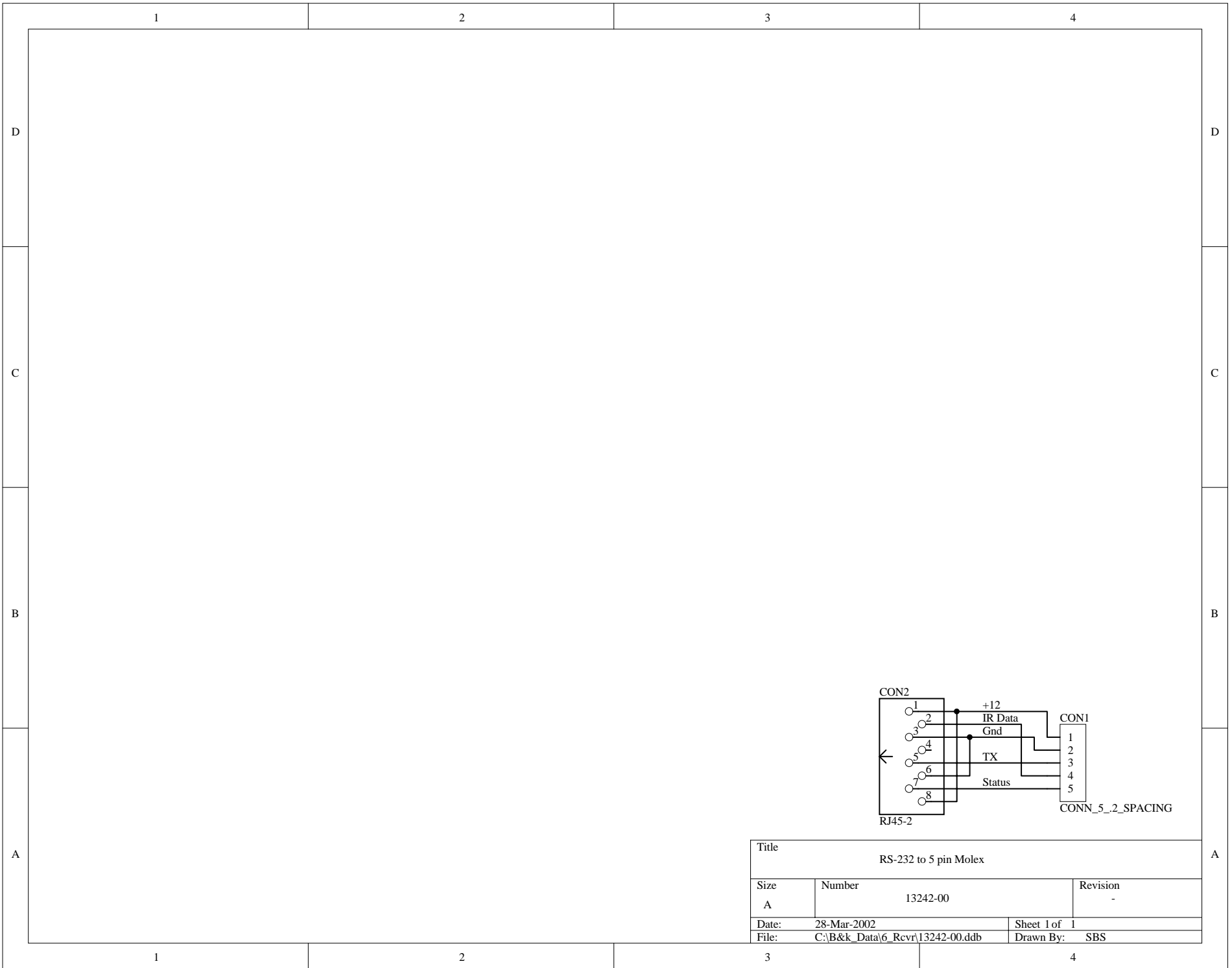
Channels 5-6



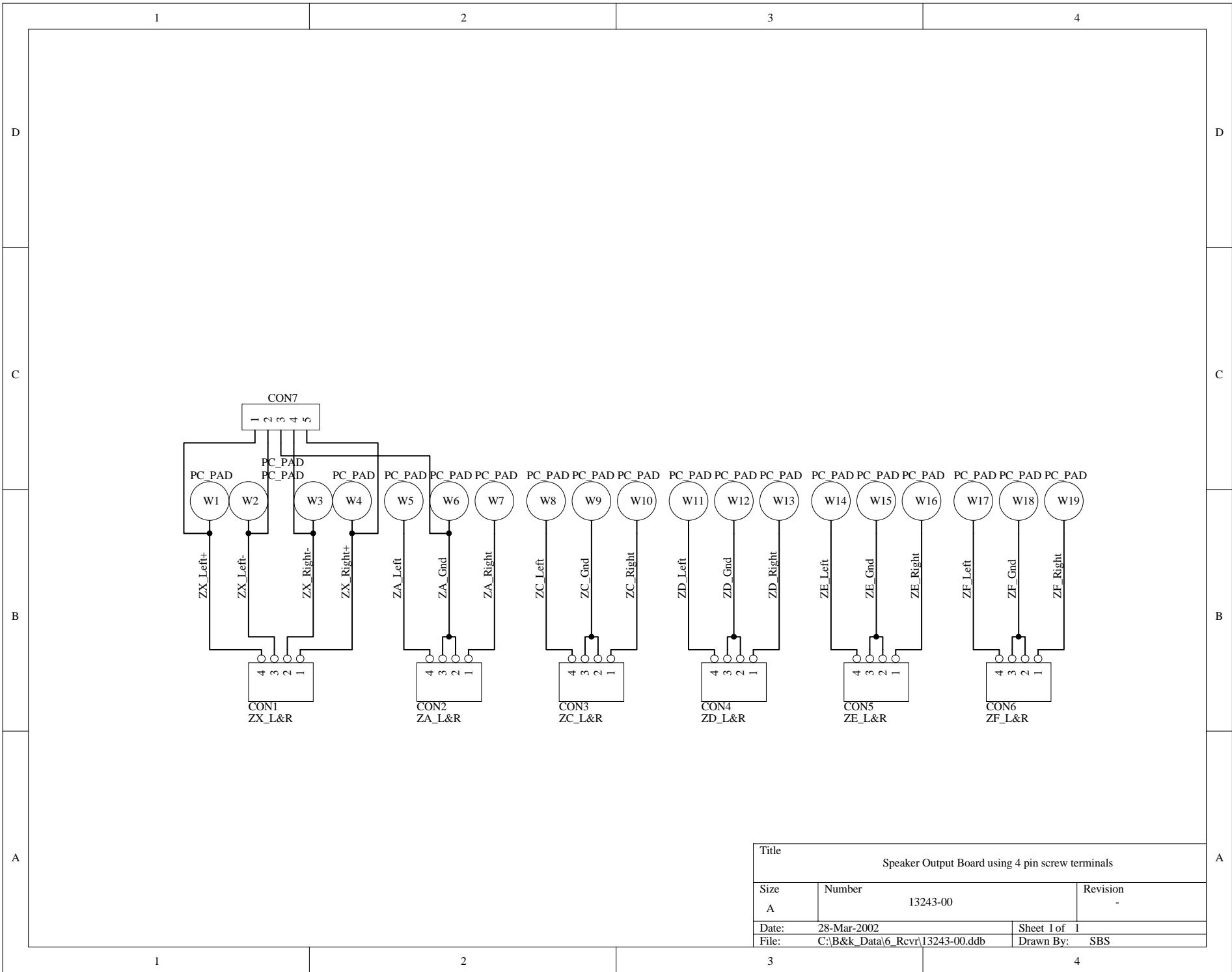
Title			
2600 / 1260 Channel 5-6 output			
Size	Number	Revision	
B	12927600-5-6	Rev B	
Date:	28-Mar-2002	Sheet of	3 of 4
File:	C:\B&k_Data\6_Rev\12927600.ddb	Drawn By:	SBS:ESM



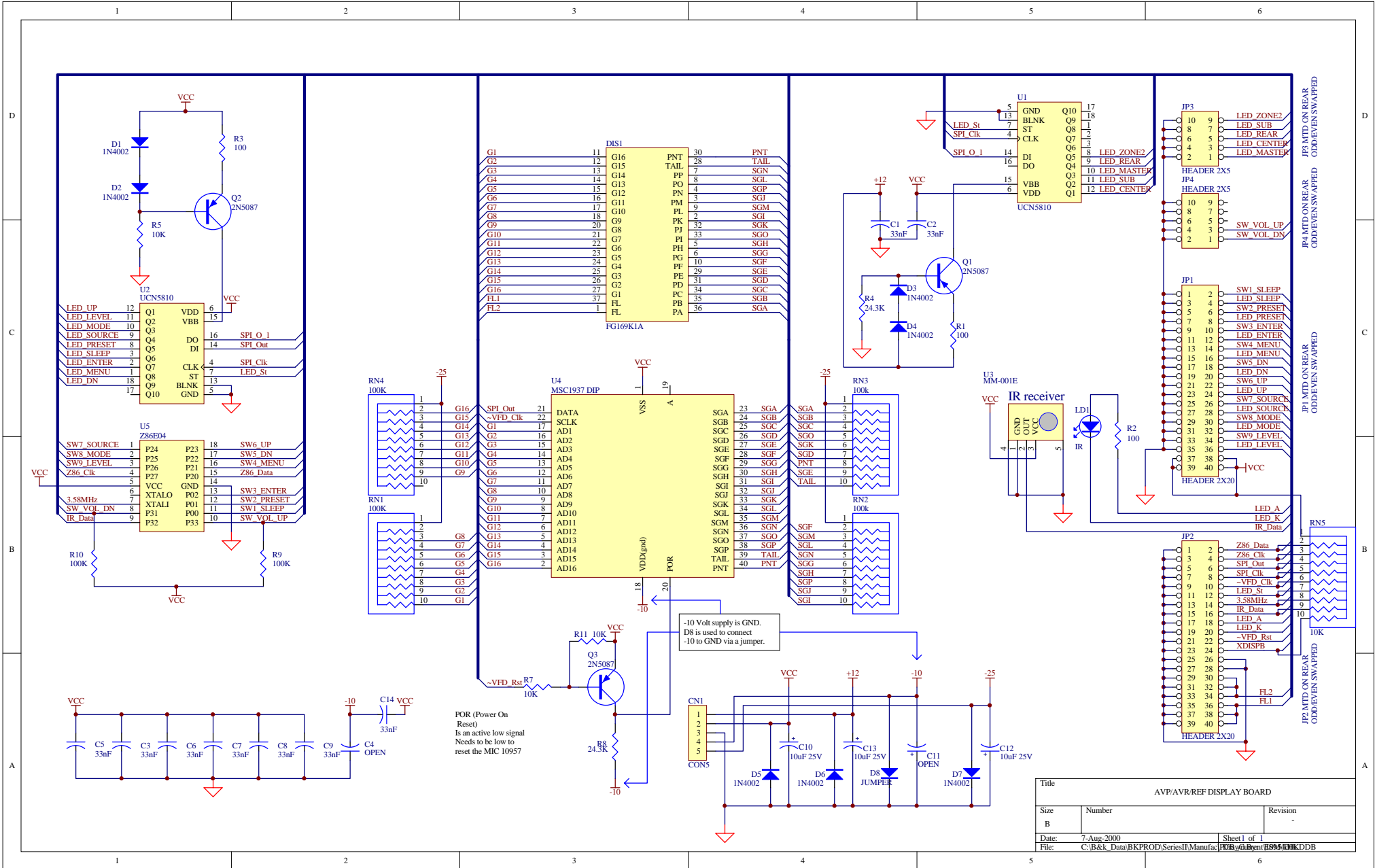
Title			
6_CH Receiver Bus Board			
Size	Number	Revision	
A	13150a00	Rev A	
Date:	28-Mar-2002	Sheet of	1 of 1
File:	C:\B&k_Data\6_Revr\13150a00.ddb	Drawn By:	SBS\ESM



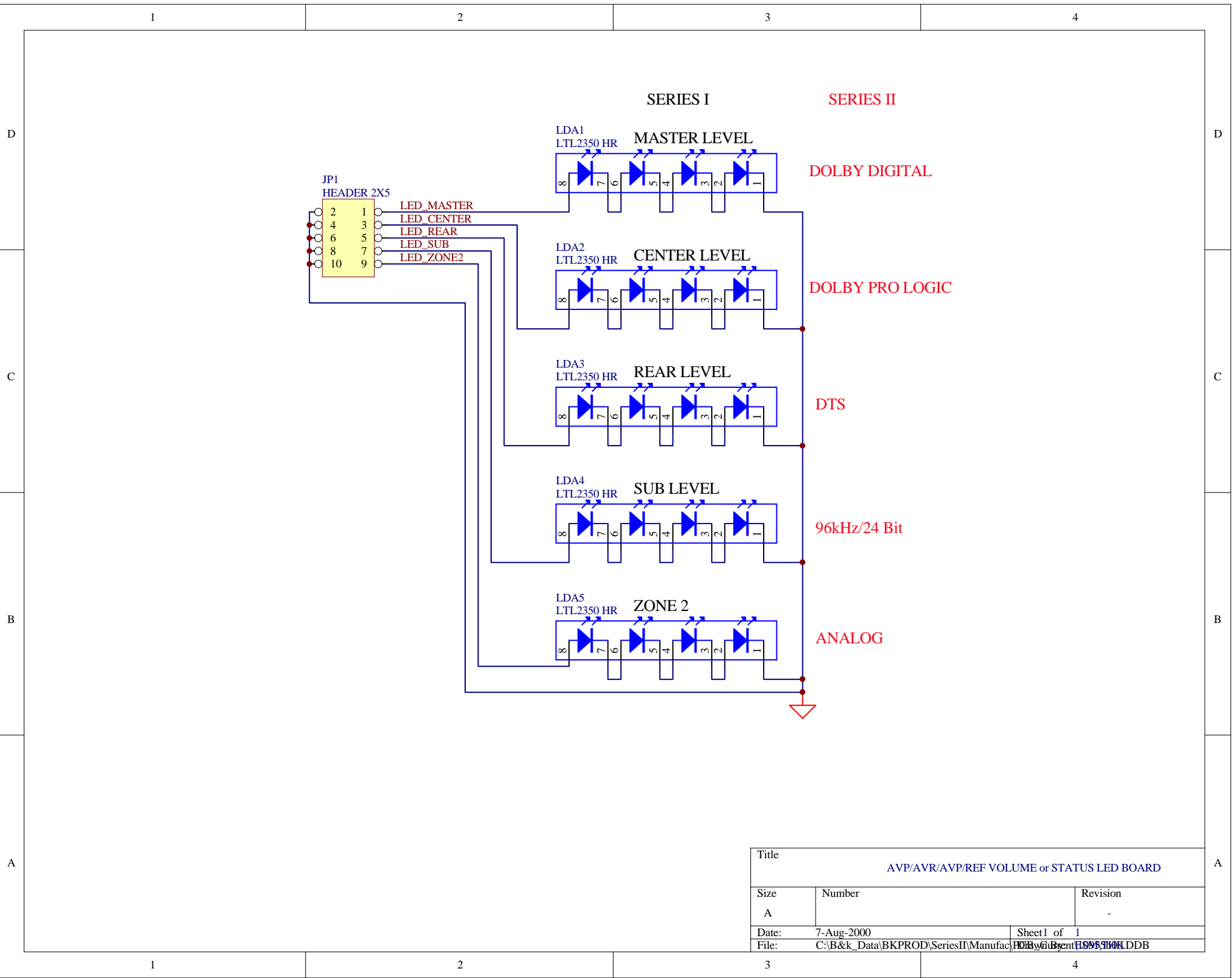
Title			RS-232 to 5 pin Molex		
Size	Number			Revision	
A	13242-00			-	
Date:	28-Mar-2002	Sheet 1 of 1			
File:	C:\B&k_Data\6_Rev\13242-00.ddb	Drawn By:		SBS	



Title		
Speaker Output Board using 4 pin screw terminals		
Size	Number	Revision
A	13243-00	-
Date:	28-Mar-2002	Sheet 1 of 1
File:	C:\B&k_Data\6_Rev\13243-00.ddb	Drawn By: SBS



Title		
AVP/AVR/REF DISPLAY BOARD		
Size	Number	Revision
B		
Date:	7-Aug-2000	Sheet 1 of 1
File:	C:\B&K_Data\BKPROD\SeriesI\Manufac\PCB\6161\BSP6161K.DDB	



Title		
AVP/AVR/AVP/REF VOLUME or STATUS LED BOARD		
Size	Number	Revision
A		-
Date:	7-Aug-2000	Sheet 1 of 1
File:	C:\B&k_Data\BKPROD\SeriesI\Manufact\LED\Sub\10953101.DDB	

1

2

3

4

D

D

C

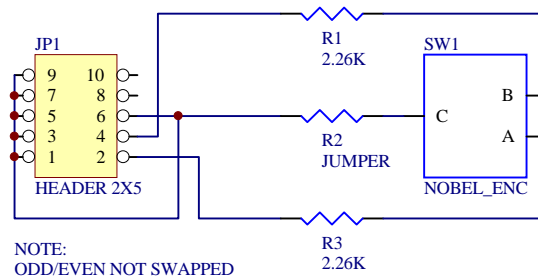
C

B

B

A

A



NOTE:
 ODD/EVEN NOT SWAPPED
 JP1 MTD ON TOP

Title		
AVP/AVR/REF/TP ROTARY ENCODER BOARD		
Size	Number	Revision
A		A
Date:	7-Aug-2000	Sheet 1 of 1
File:	C:\B&k_Data\BKPROD\SeriesII\Manufact\PCB\B&k\Bent12760a00.DDB	

1

2

3

4