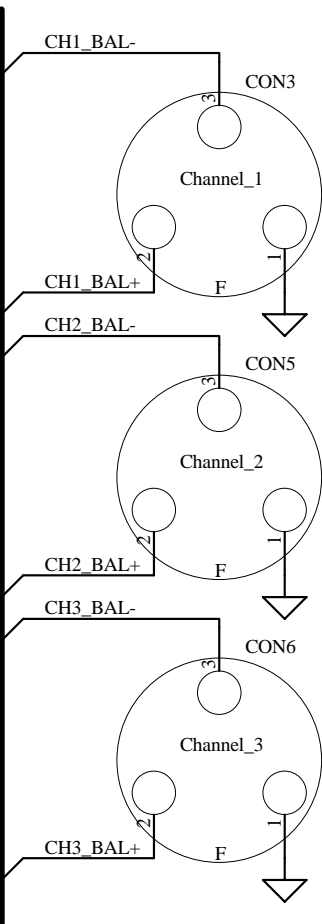
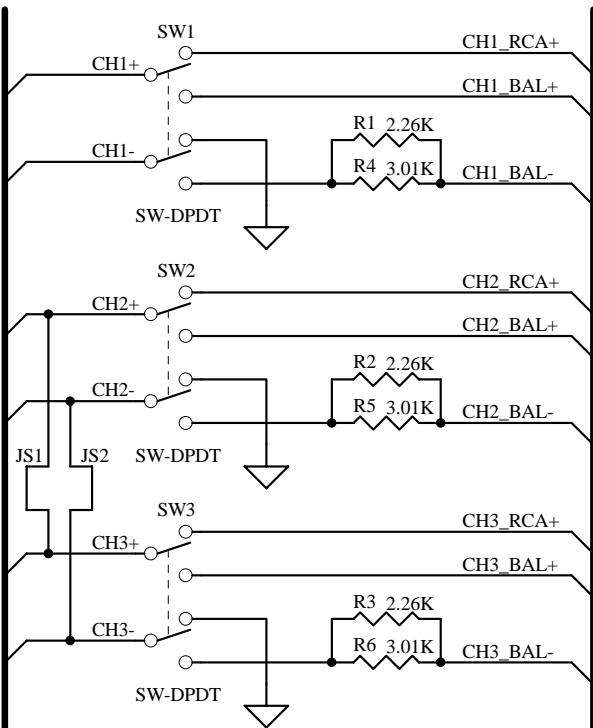
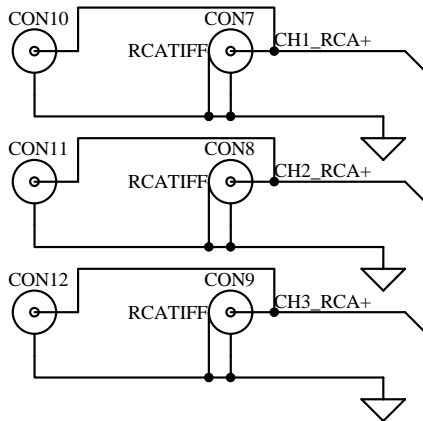
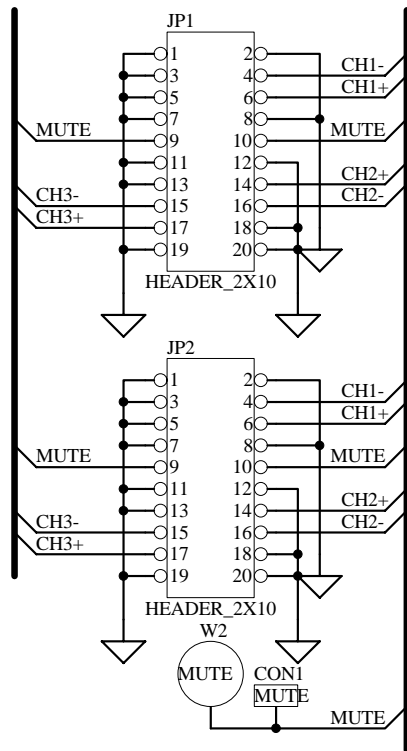


**B&K COMPONENTS LTD.**

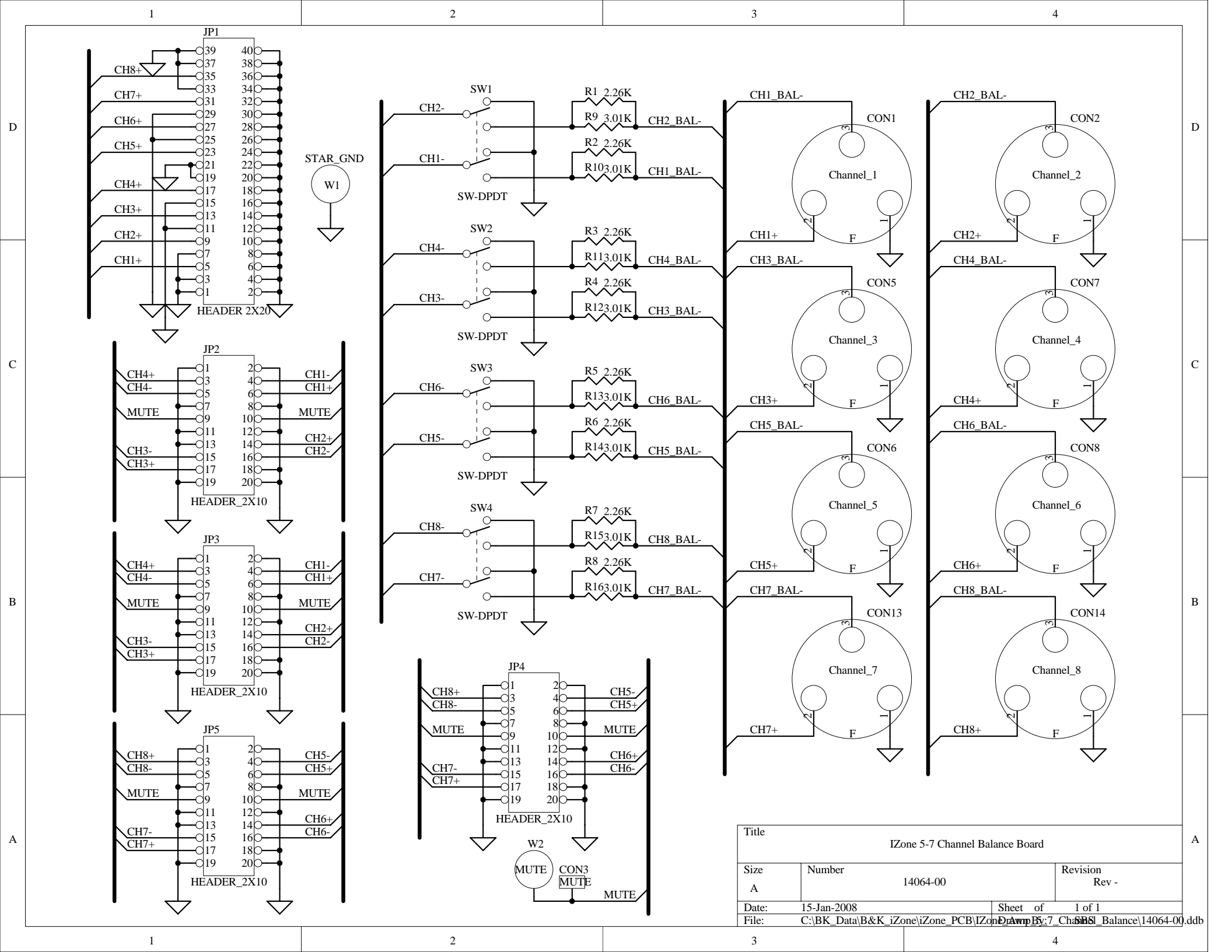
**Izone AMPLIFIERS 1/2/3  
CHANNEL and 5/7  
CHANNEL**

**SERVICE MANUAL**

**SBS - 011508**

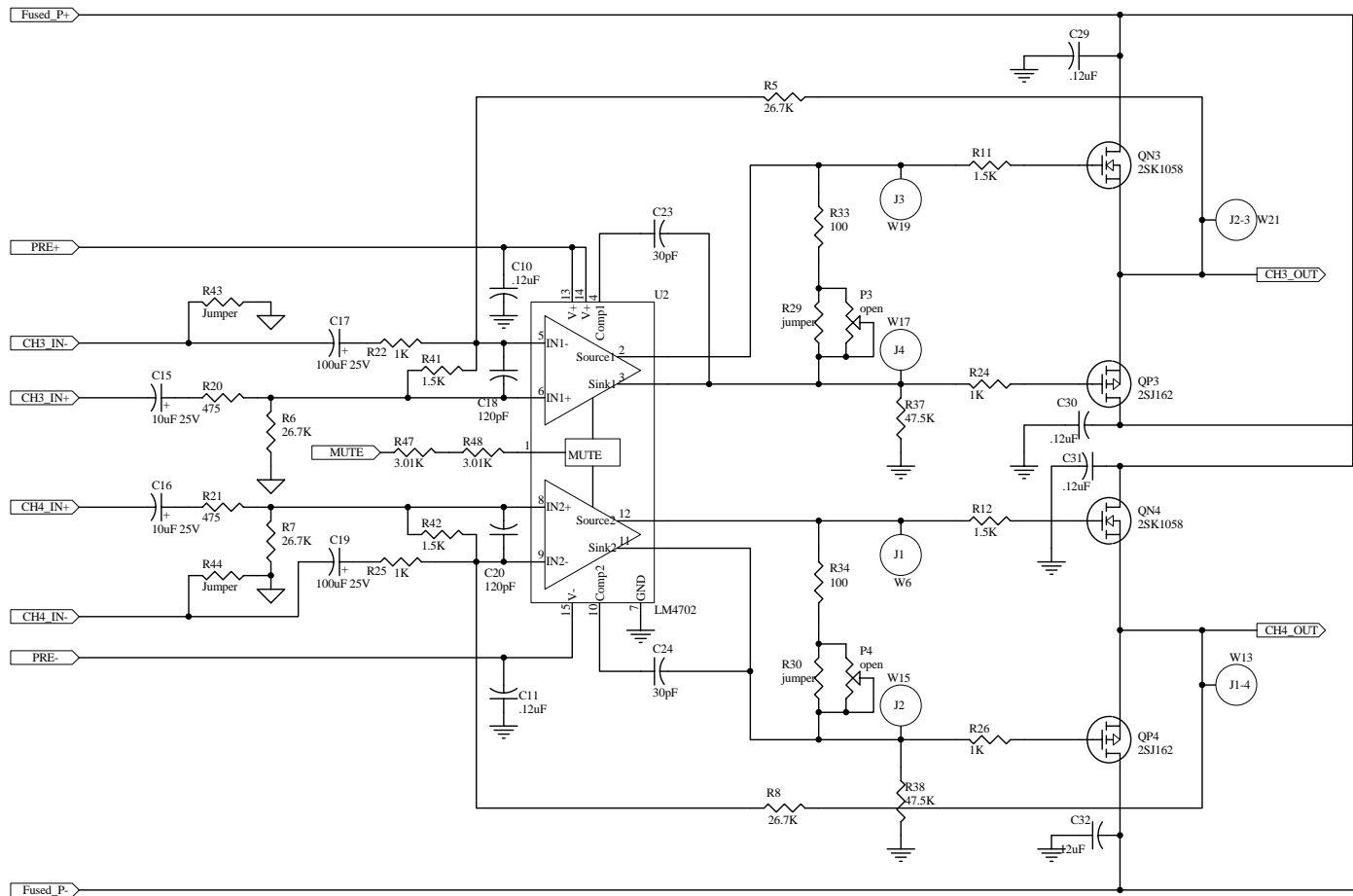


Title			
IZone 1-2-3 Channel RCA/Balance Board			
Size	Number	Revision	
A	14186-00	Rev -	
Date:	15-Jan-2008	Sheet of	1 of 1
File:	C:\BK_Data\B&K_iZone\iZone_PCB\iZone_Channel\BKA_Bal\14186-00.ddb		

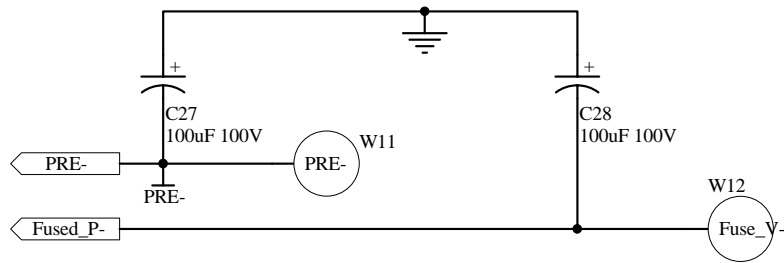
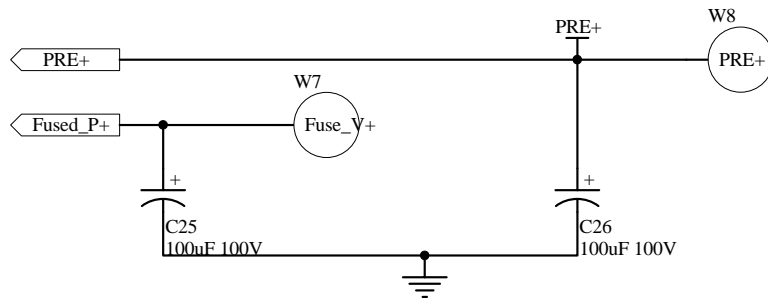
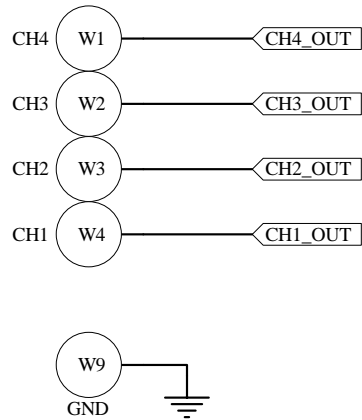
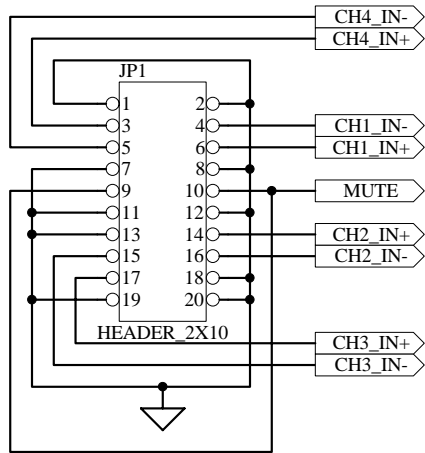


Title			iZone 5-7 Channel Balance Board		
Size	Number	Revision		Rev -	
A	14064-00				
Date:	15-Jan-2008	Sheet of	1 of 1		
File:	C:\BK_Data\B&K_iZone\iZone_PCB\iZone_Drump\By:7_Channel_Balance\14064-00.ddb				





Title		
<b>iZone Channel 3-4 Power Amp</b>		
Size	Number	Revision
B	<b>13990A00CH3-4.sch</b>	A
Date:	15-Jan-2008	Sheet 3 of 5
File:	C:\BK_Data\B&K_iZone\iZone_PCB\iZoneChannel_Small\B&K13990A00.djv	



Title		
<b>iZone Power/Mute Control</b>		
Size	Number	Revision
A	<b>13990A00_Power_Mute.sch</b>	A
Date:	15-Jan-2008	Sheet 5 of 5
File:	C:\BK_Data\B&K_iZone\iZone_PCB\iZone_PCB.dwg	