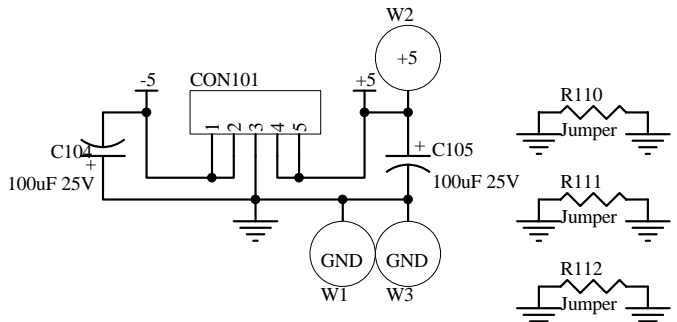
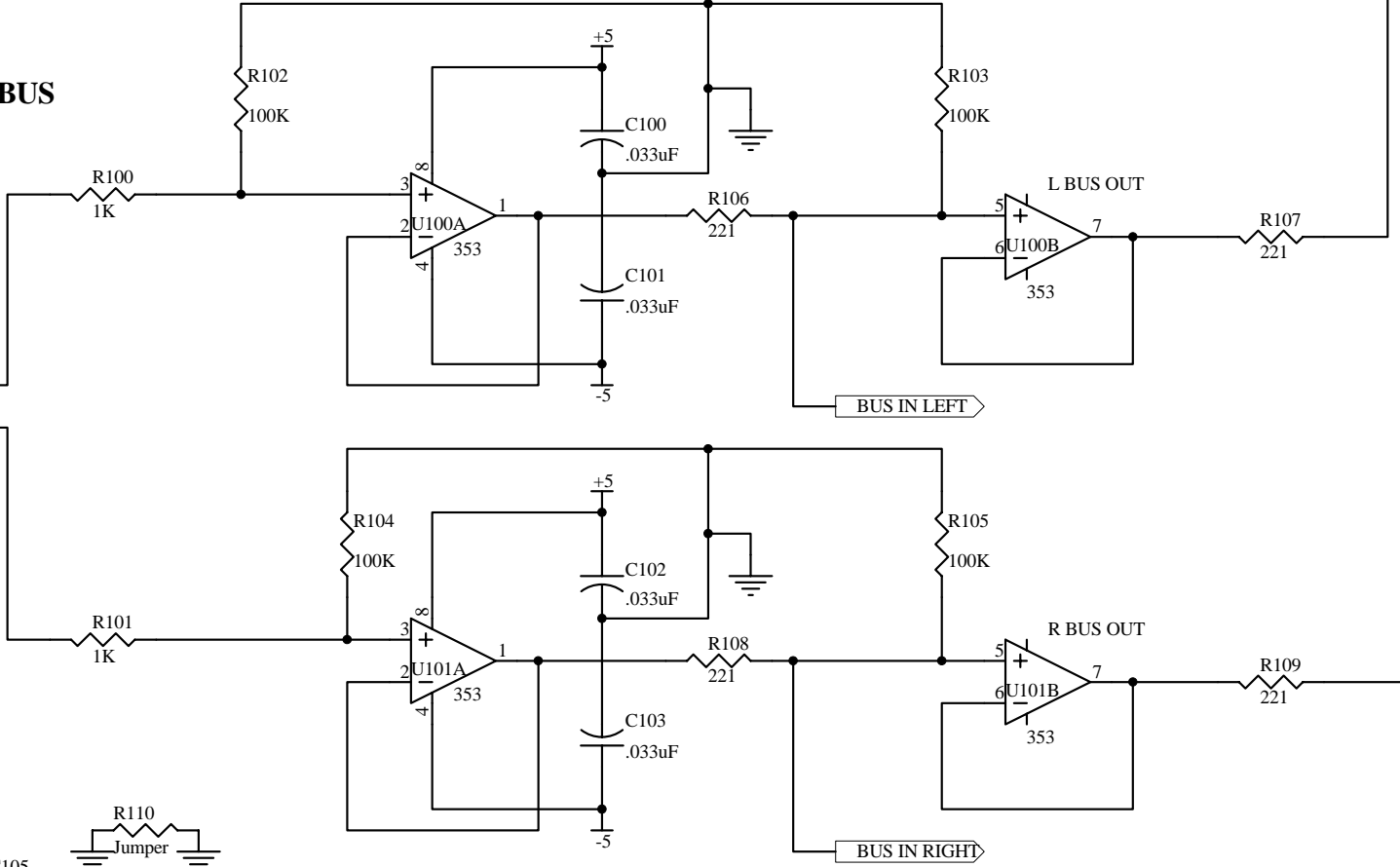
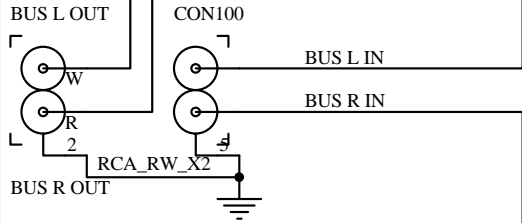


**B&K COMPONENTS LTD.**

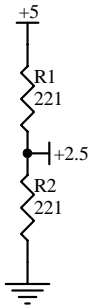
**AV1230**

**SERVICE MANUAL**

# LEFT AND RIGHT BUS



**Reference Voltage  
For Amp Control  
On/Off**



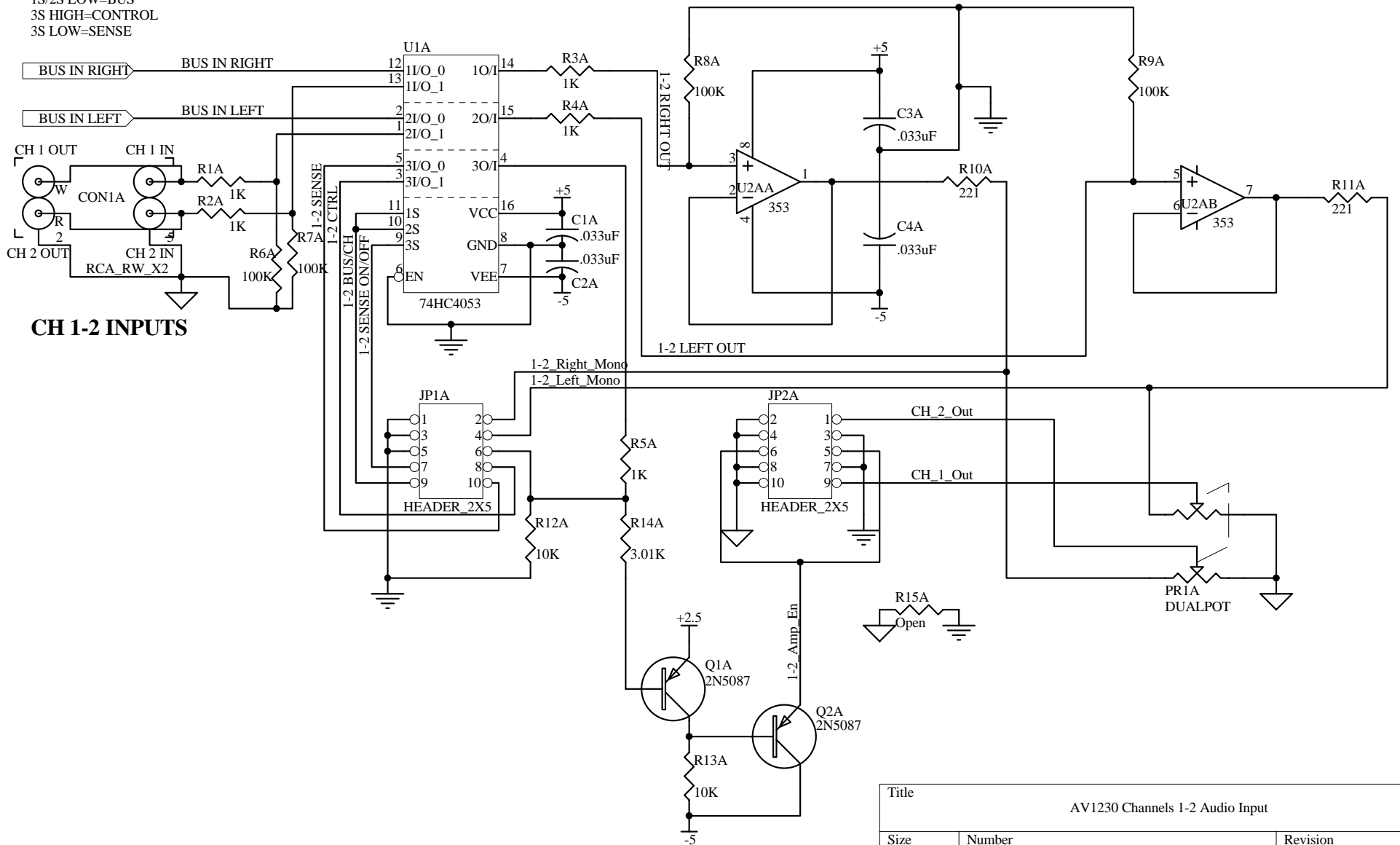
Title			
AV1230 Audio Input Bus			
Size	Number	Revision	
A	14110a00	Rev A	
Date:	1-Aug-2007	Sheet of	2 of 8
File:	C:\BK_Data\B&K_AV1230\B&K_AV1230\Drawn Board\B&K_AV1230.mdb		

74HC4053 KEY

1S/2S HIGH=CHANNEL  
1S/2S LOW=BUS  
3S HIGH=CONTROL  
3S LOW=SENSE

# CHANNELS 1-2

# LEFT/RIGHT OUT BUFFERS



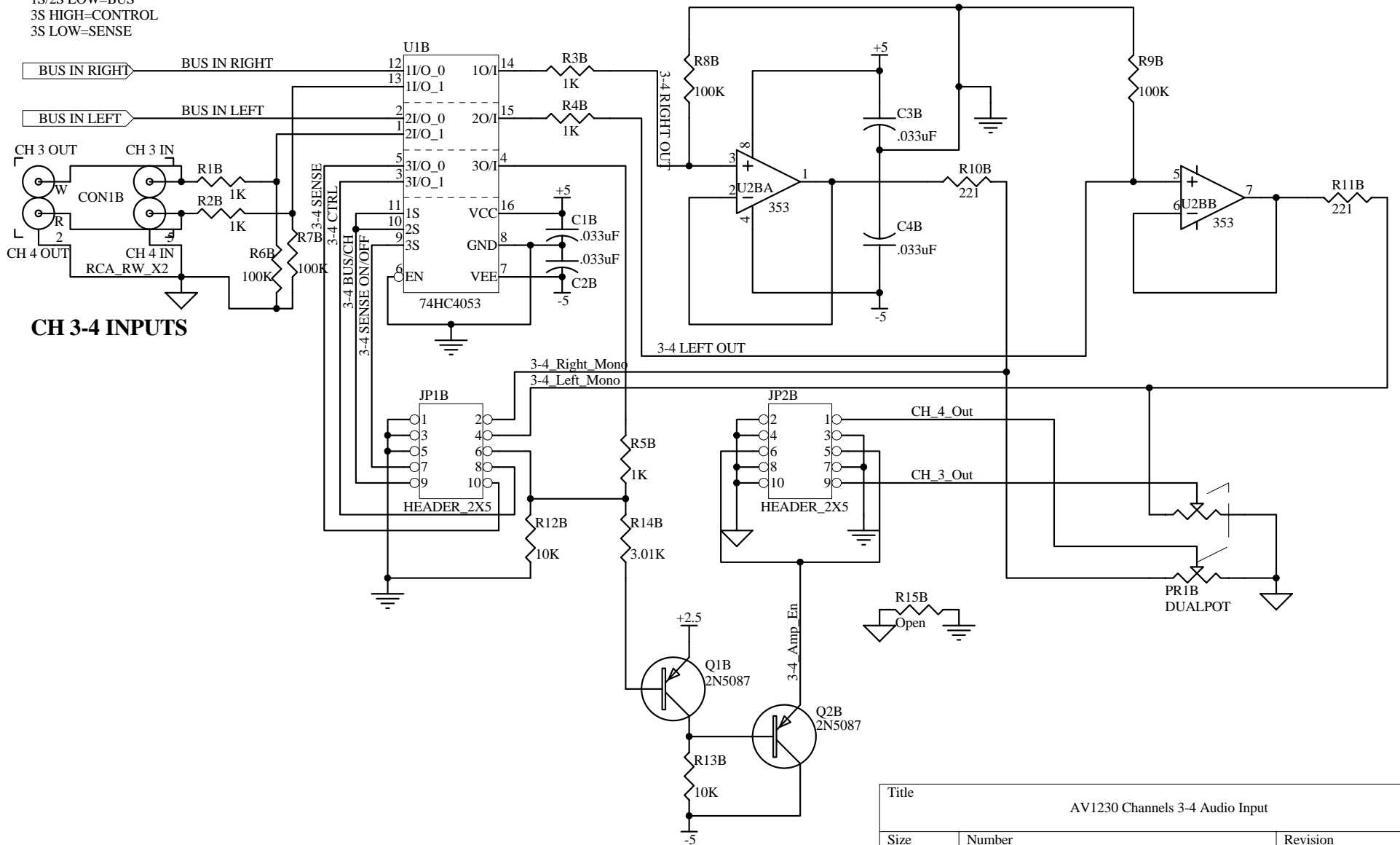
Title			
AV1230 Channels 1-2 Audio Input			
Size	Number	Revision	
A	14110a00	Rev A	
Date:	1-Aug-2007	Sheet of	3 of 8
File:	C:\BK_Data\B&K_AV1230\B&K_AV1230\Drawn Board\B&K_AV1230.mdb		

74HC4053 KEY

1S/2S HIGH=CHANNEL  
1S/2S LOW=BUS  
3S HIGH=CONTROL  
3S LOW=SENSE

# CHANNELS 3-4

# LEFT/RIGHT OUT BUFFERS



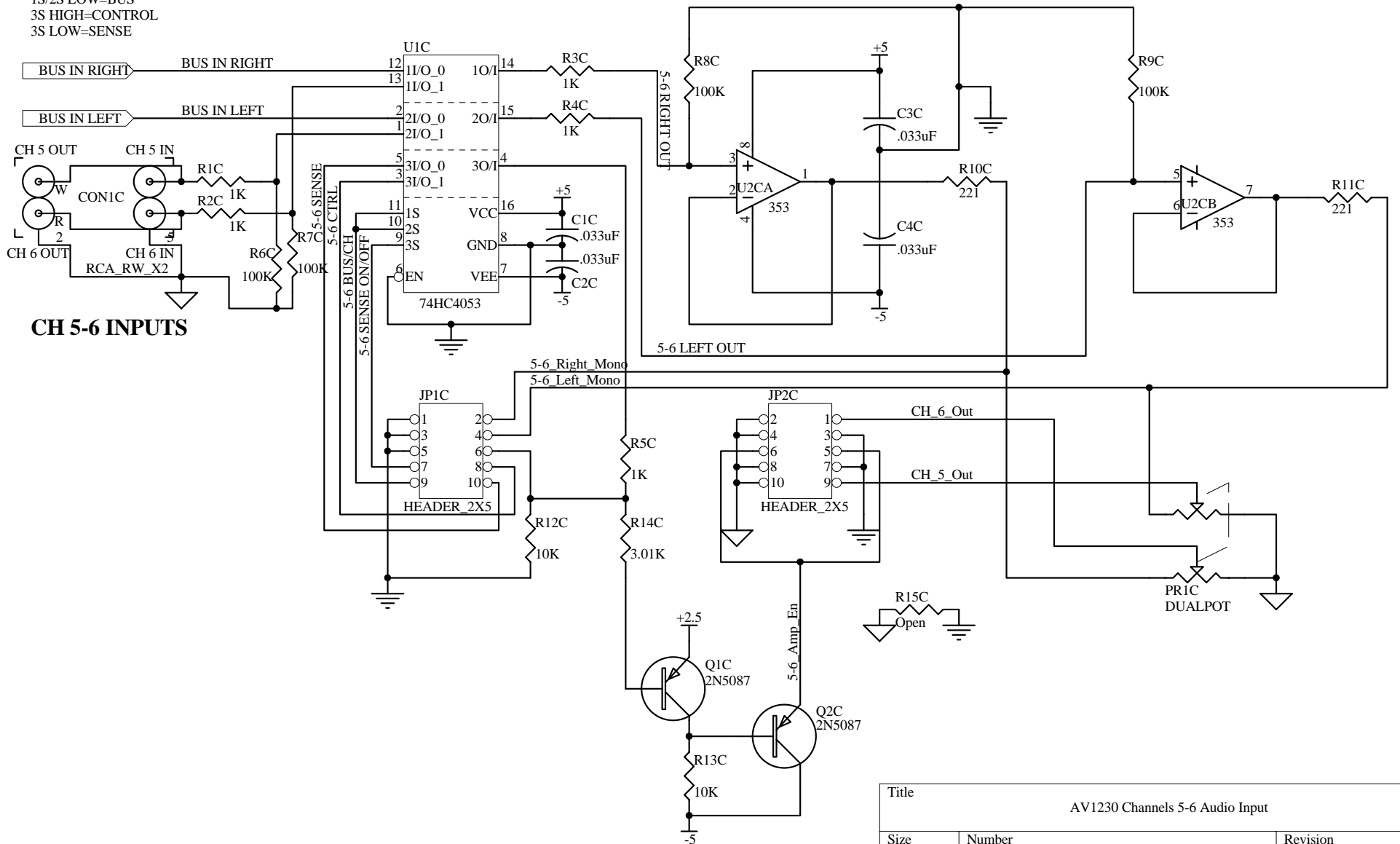
Title			
AV1230 Channels 3-4 Audio Input			
Size	Number	Revision	
A	14110a00	Rev A	
Date:	1-Aug-2007	Sheet of	4 of 8
File:	C:\BK_Data\B&K_AV1230\B&K_AV1230\Drawn Board\B&K_AV1230.mdb		

74HC4053 KEY

1S/2S HIGH=CHANNEL  
1S/2S LOW=BUS  
3S HIGH=CONTROL  
3S LOW=SENSE

# CHANNELS 5-6

# LEFT/RIGHT OUT BUFFERS



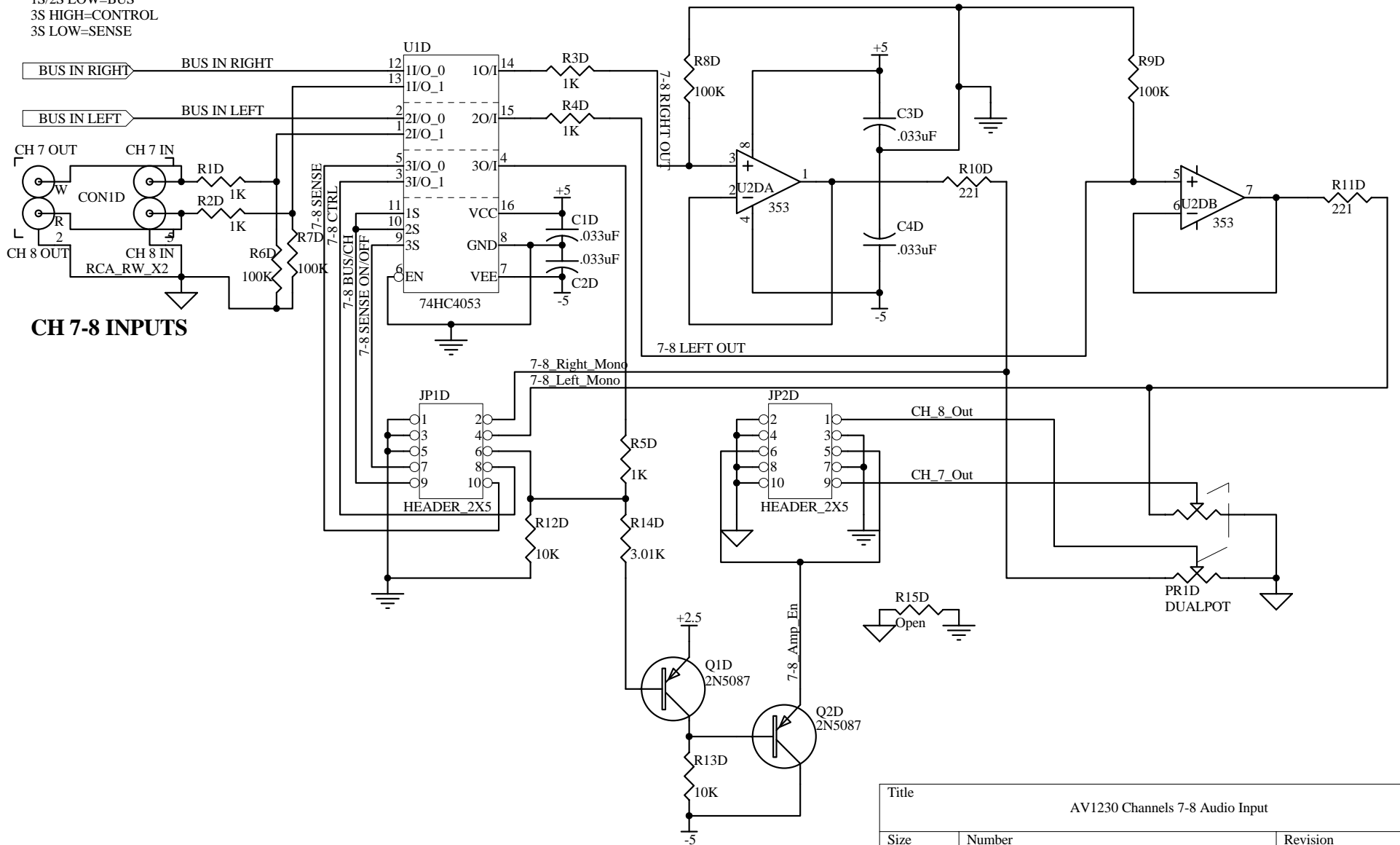
Title			
AV1230 Channels 5-6 Audio Input			
Size	Number	Revision	
A	14110a00	Rev A	
Date:	1-Aug-2007	Sheet of	5 of 8
File:	C:\BK_Data\B&K_AV1230\B&K_AV1230\Drawn Board\B&K_AV1230.mdb		

74HC4053 KEY

1S/2S HIGH=CHANNEL  
1S/2S LOW=BUS  
3S HIGH=CONTROL  
3S LOW=SENSE

# CHANNELS 7-8

# LEFT/RIGHT OUT BUFFERS



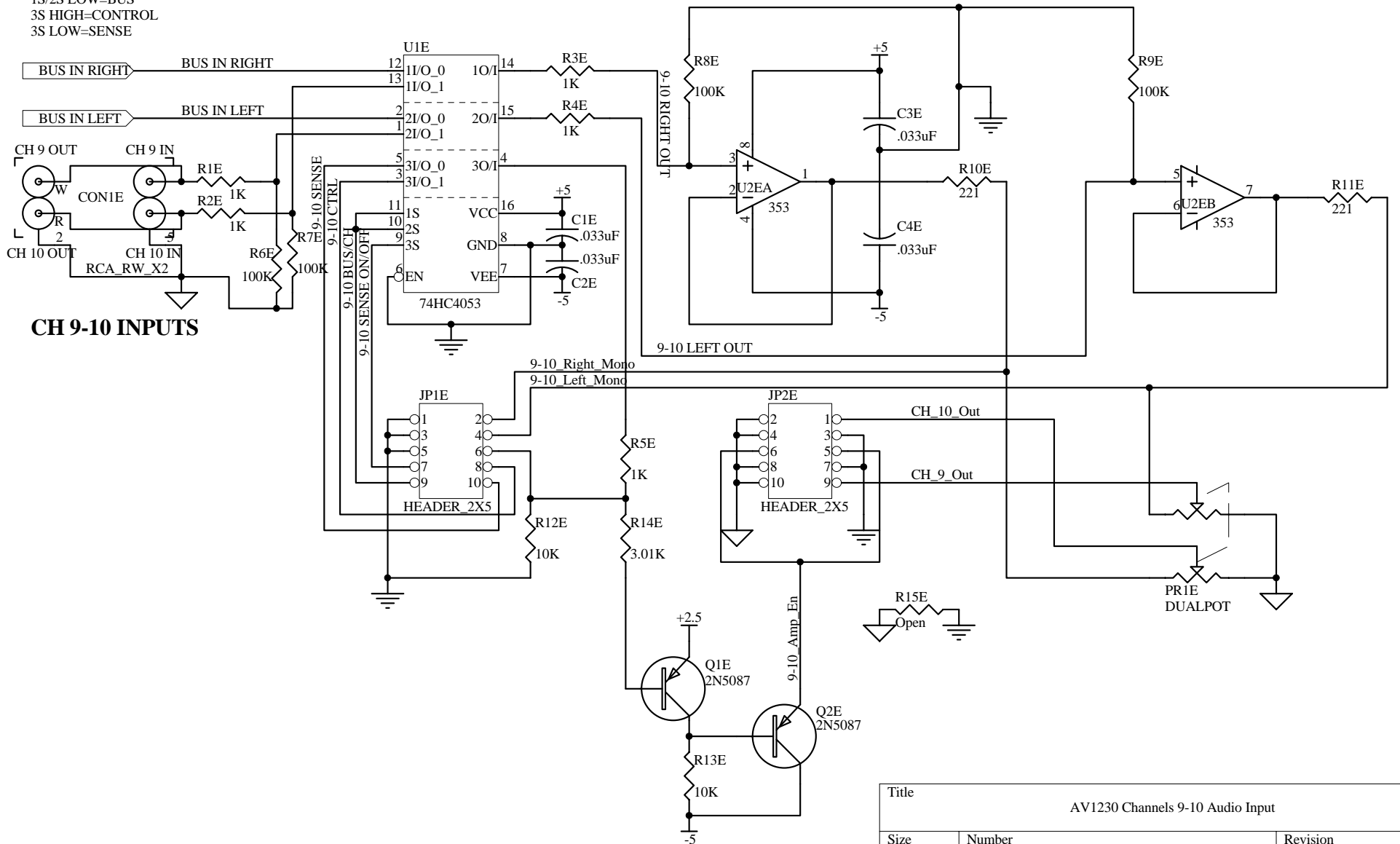
Title			
AV1230 Channels 7-8 Audio Input			
Size	Number	Revision	
A	14110a00	Rev A	
Date:	1-Aug-2007	Sheet of	6 of 8
File:	C:\BK_Data\B&K_AV1230\B&K_AV1230\Drawn Board\B&K_AV1230.mdb		

74HC4053 KEY

1S/2S HIGH=CHANNEL  
1S/2S LOW=BUS  
3S HIGH=CONTROL  
3S LOW=SENSE

# CHANNELS 9-10

# LEFT/RIGHT OUT BUFFERS



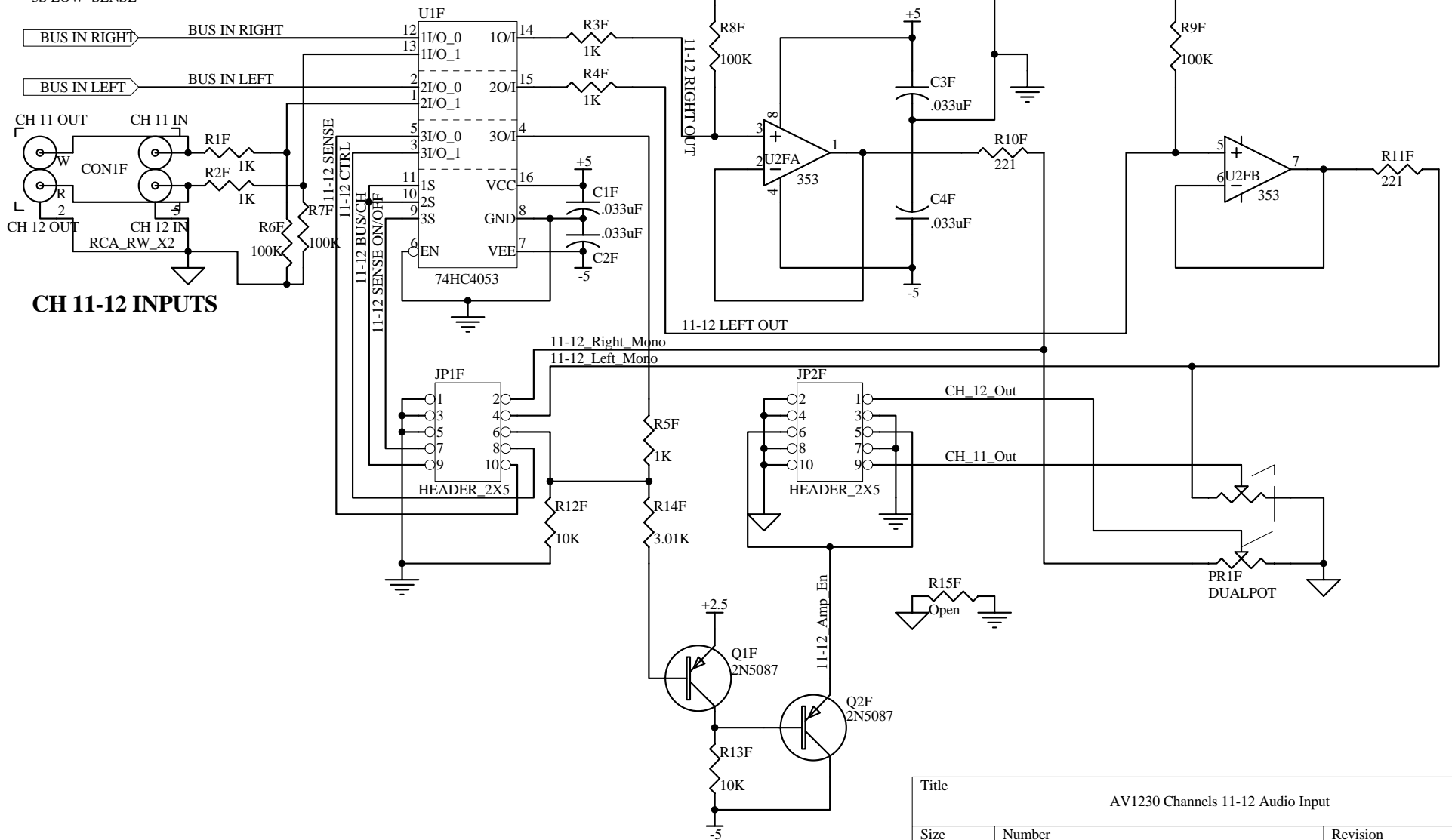
Title			
AV1230 Channels 9-10 Audio Input			
Size	Number	Revision	
A	14110a00	Rev A	
Date:	1-Aug-2007	Sheet of	7 of 8
File:	C:\BK_Data\B&K_AV1230\B&K_AV1230\Drawn Board\B&K_AV1230.mdb		

74HC4053 KEY

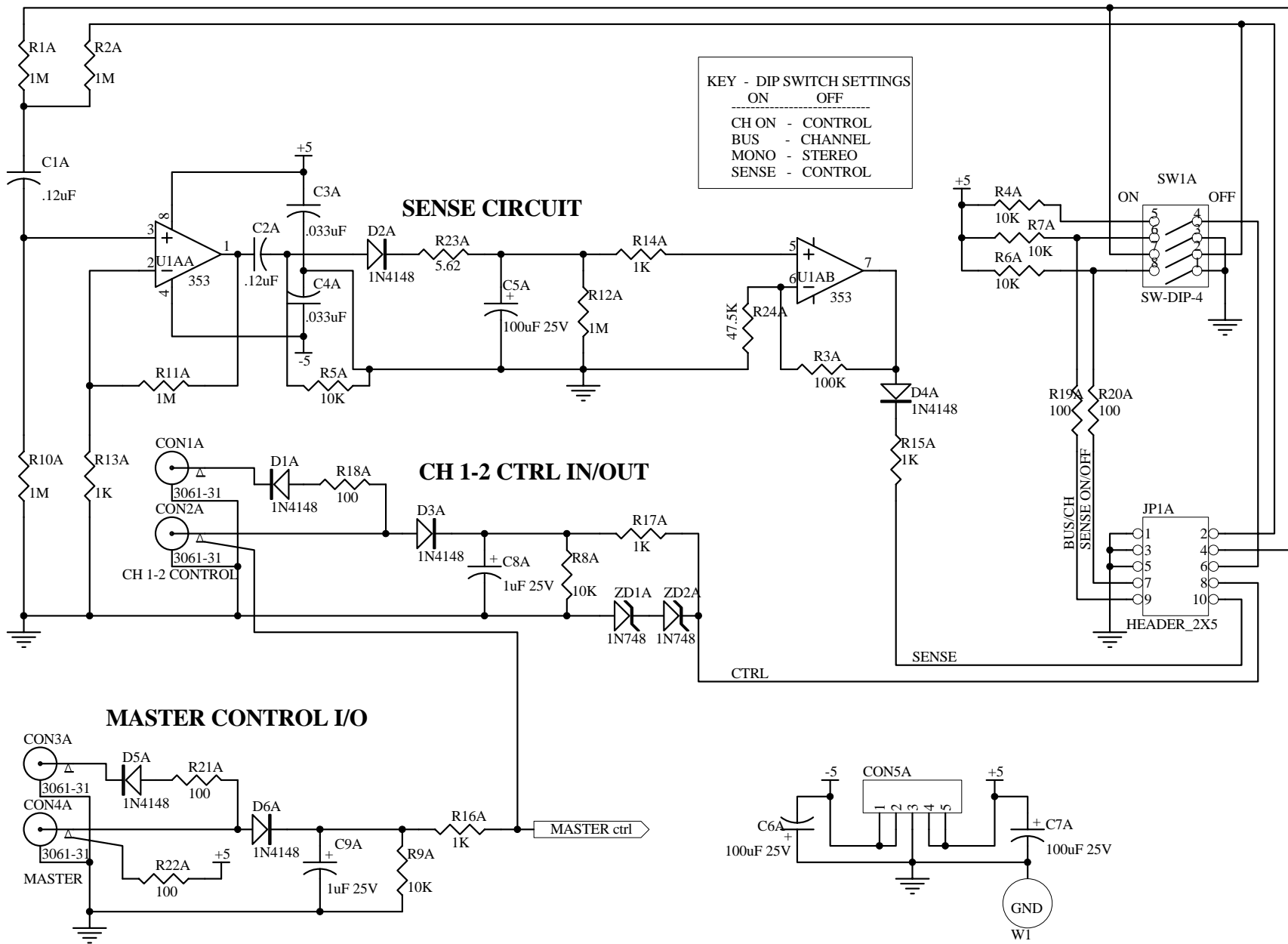
1S/2S HIGH=CHANNEL  
1S/2S LOW=BUS  
3S HIGH=CONTROL  
3S LOW=SENSE

# CHANNELS 11-12

# LEFT/RIGHT OUT BUFFERS

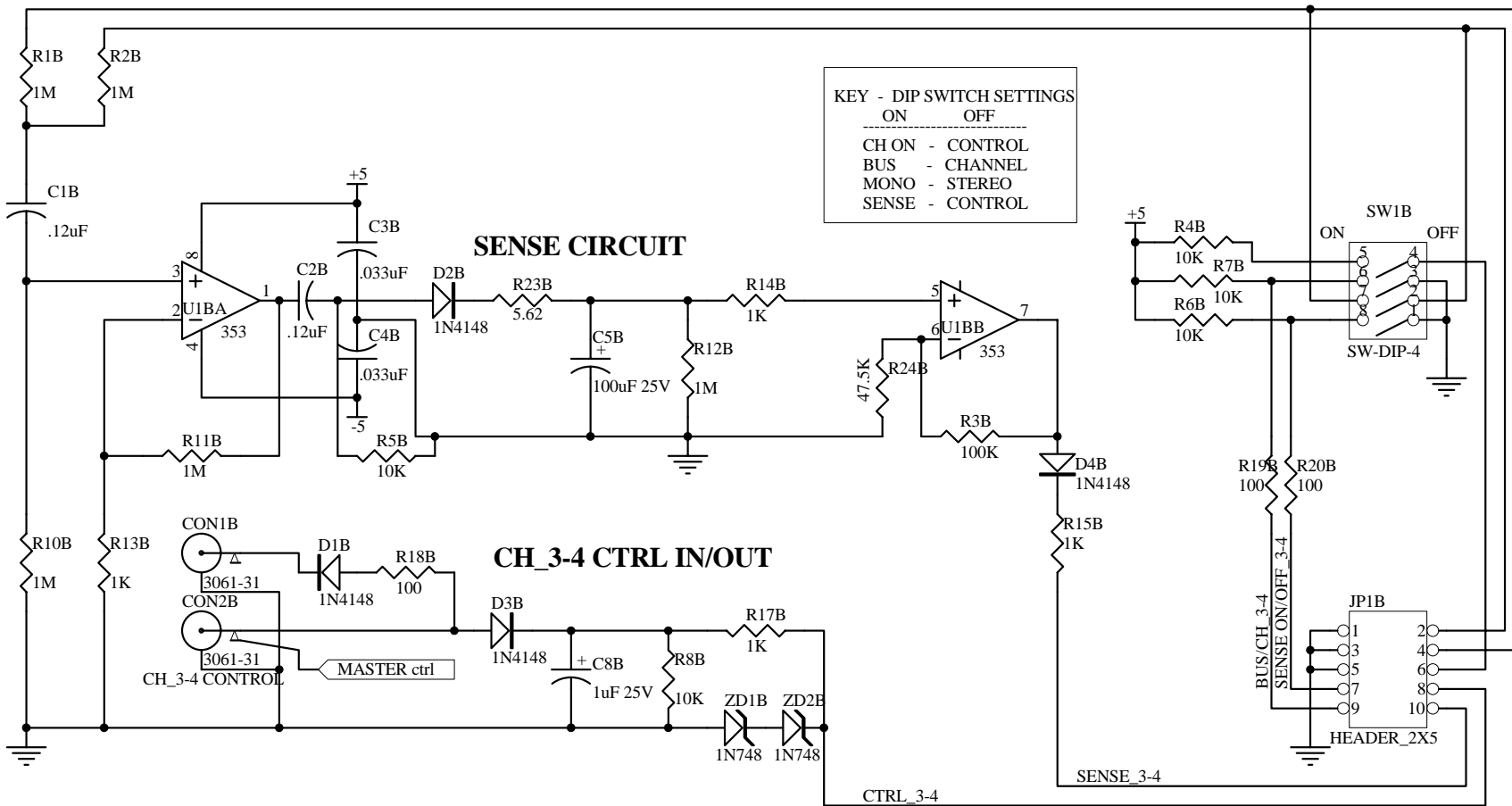


Title			
AV1230 Channels 11-12 Audio Input			
Size	Number	Revision	
A	14110a00	Rev A	
Date:	1-Aug-2007	Sheet of	8 of 8
File:	C:\BK_Data\B&K_AV1230\B&K_AV1230\Drawn Board\B&K_AV1230.mdb		



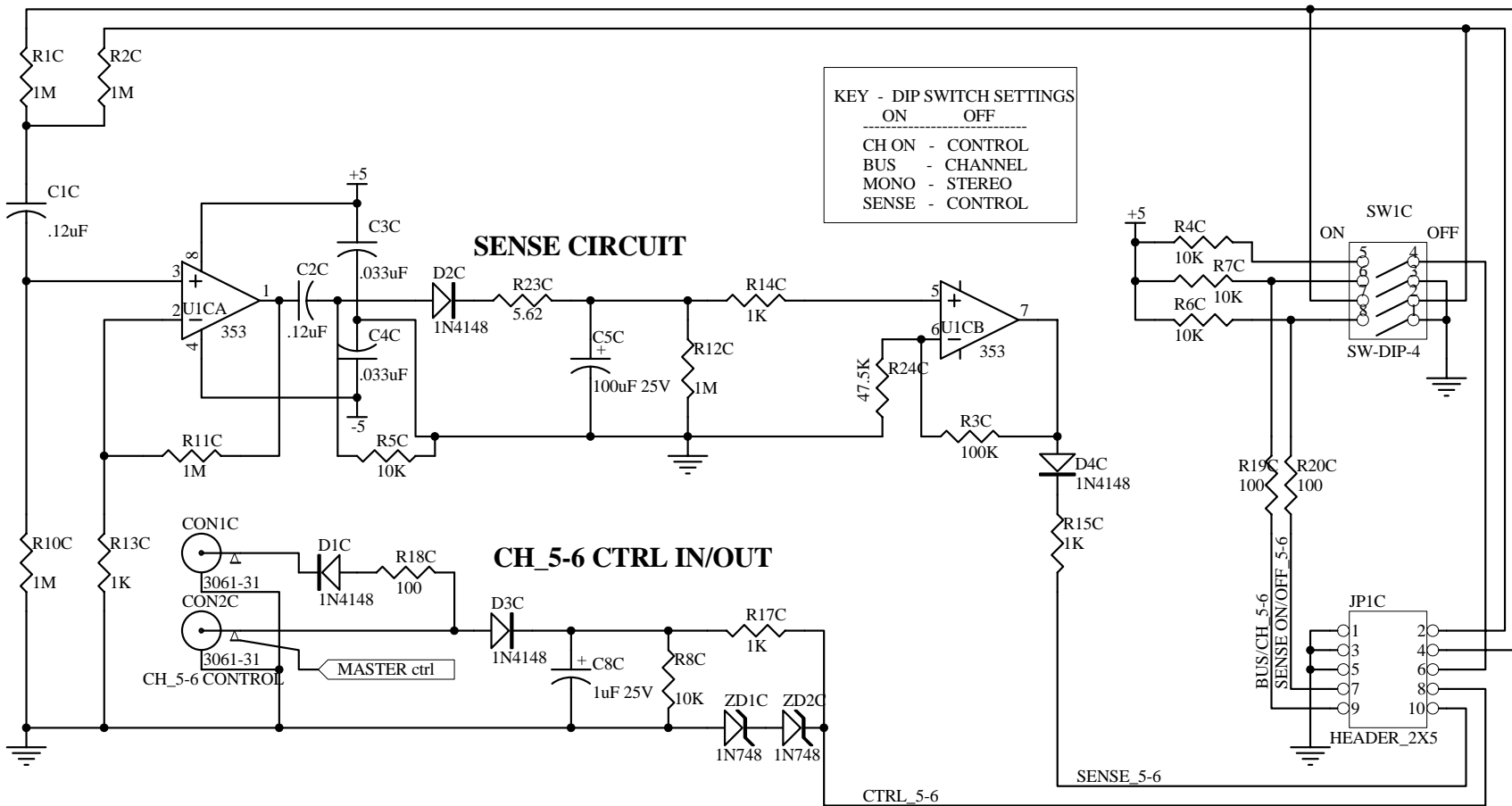
KEY - DIP SWITCH SETTINGS  
 ON      OFF  
 -----  
 CH ON - CONTROL  
 BUS - CHANNEL  
 MONO - STEREO  
 SENSE - CONTROL

Title			
AV1230 Sense/Control I/O Ch1-2			
Size	Number	Revision	Rev -
A	14119-00		
Date:	1-Aug-2007	Sheet of	2 of 7
File:	C:\BK_Data\B&K_AV1230\B&K_AV1230\Doc\By:Boards\14119-00.ddb		



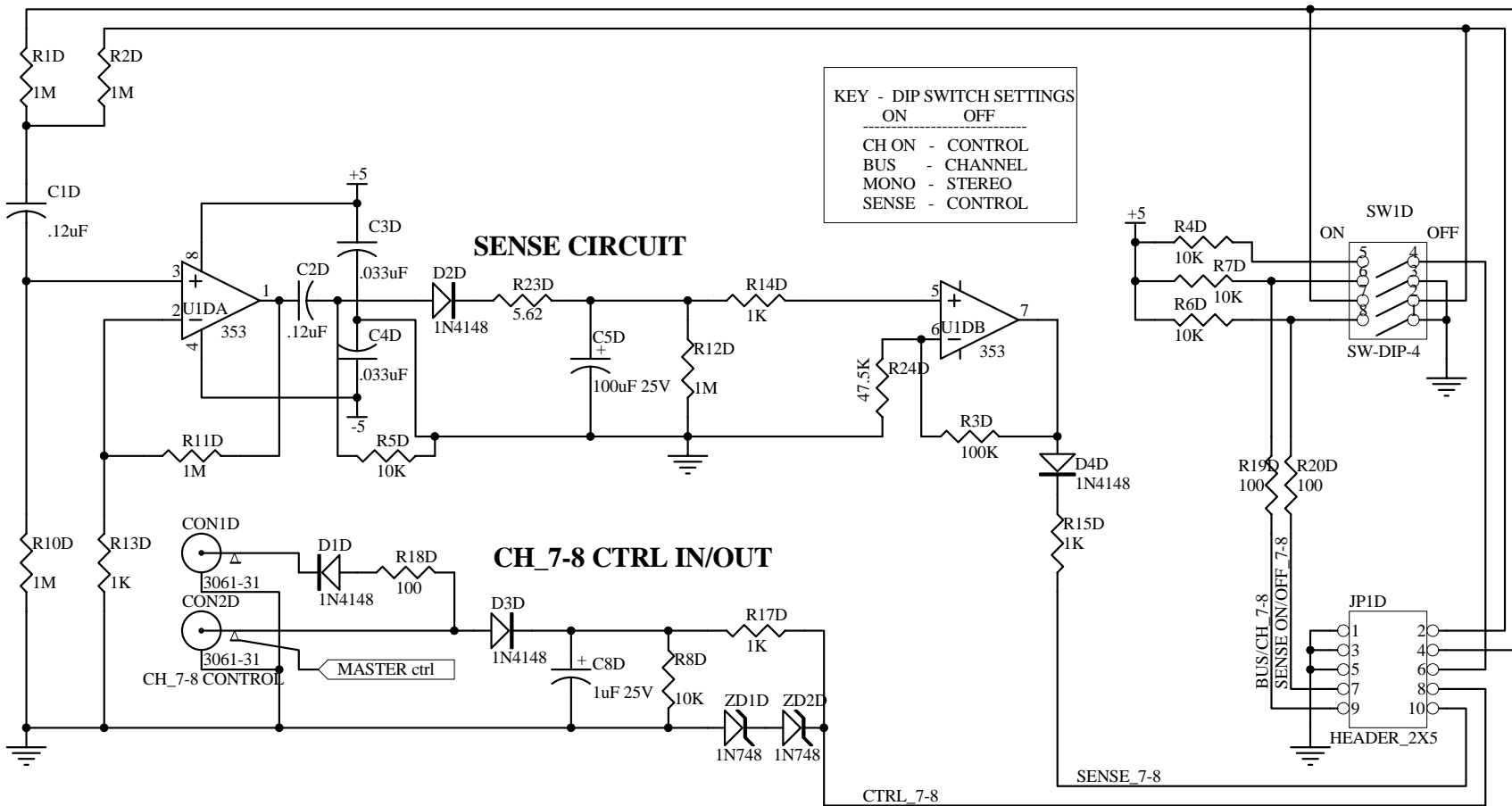
KEY - DIP SWITCH SETTINGS  
 ON      OFF  
 -----  
 CH ON - CONTROL  
 BUS - CHANNEL  
 MONO - STEREO  
 SENSE - CONTROL

Title			
AV1230 Sense/Control I/O Ch_3-4			
Size	Number	Revision	
A	14119-00	Rev -	
Date:	1-Aug-2007	Sheet of	3 of 7
File:	C:\BK_Data\B&K_AV1230\B&K_AV1230\Doc\B&K_AV1230\Board\14119-00.ddb		

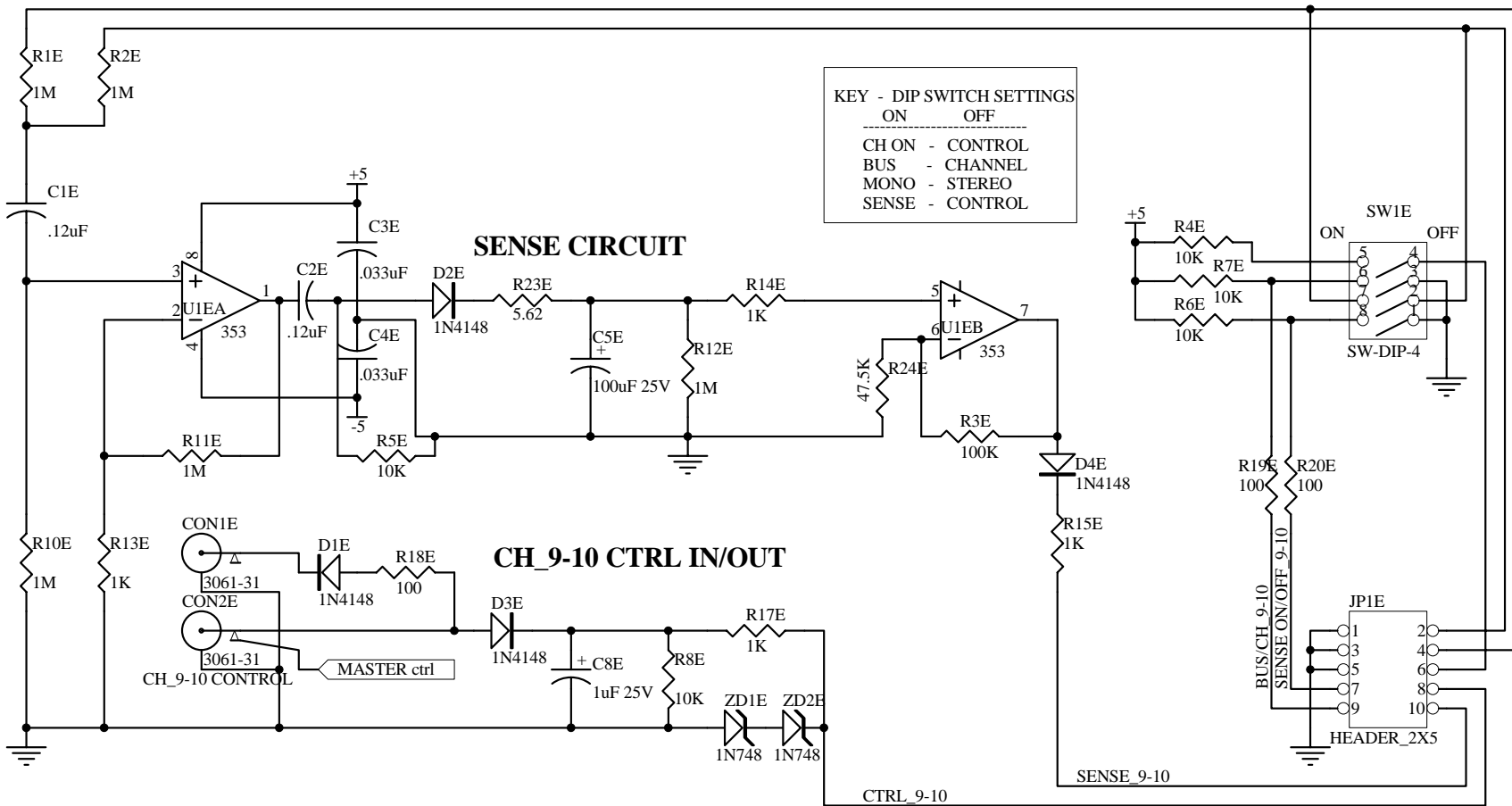


KEY - DIP SWITCH SETTINGS  
 ON      OFF  
 -----  
 CH ON - CONTROL  
 BUS - CHANNEL  
 MONO - STEREO  
 SENSE - CONTROL

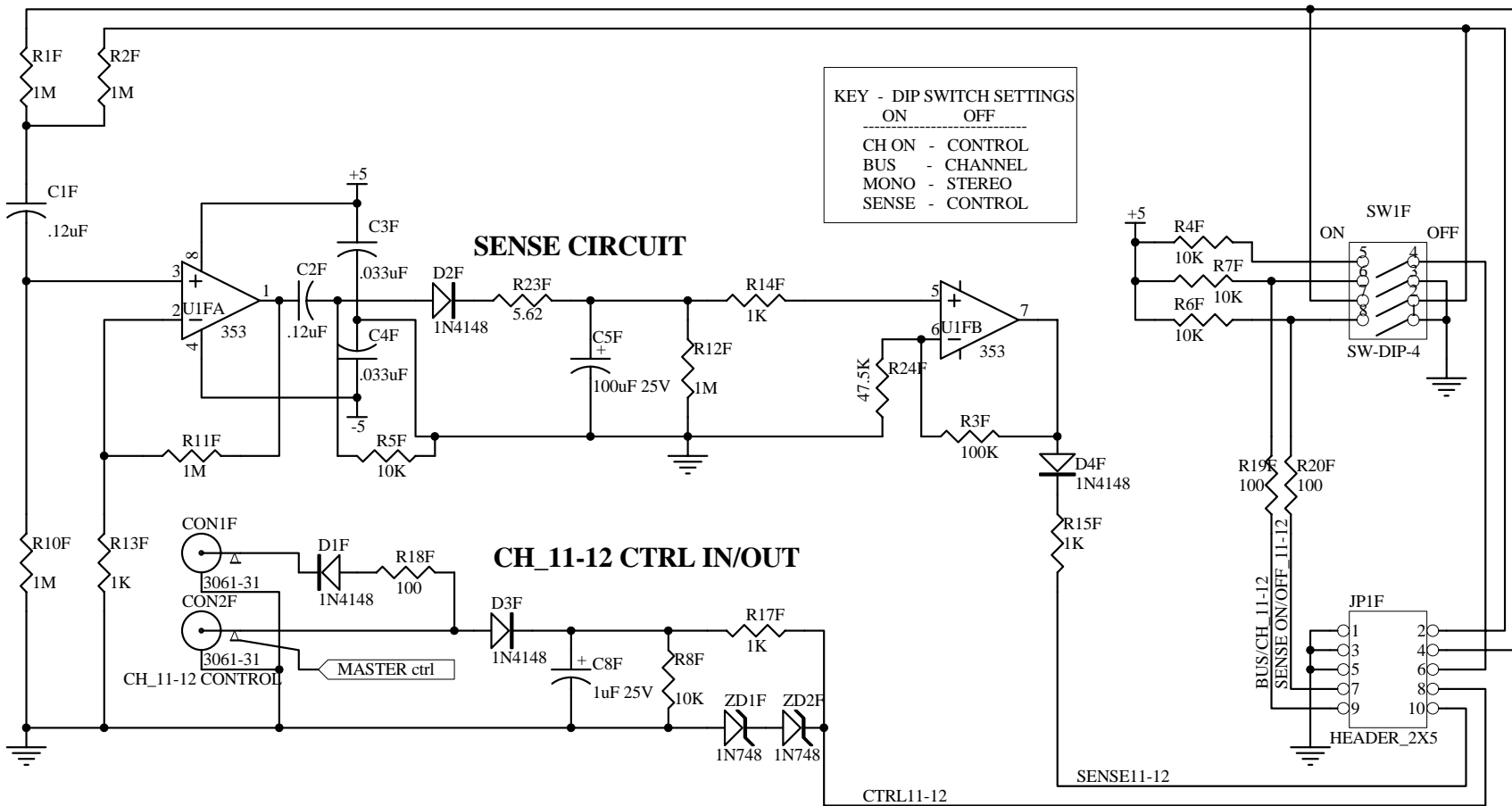
Title			
AV1230 Sense/Control I/O Ch_5-6			
Size	Number	Revision	
A	14119-00	Rev -	
Date:	1-Aug-2007	Sheet of	4 of 7
File:	C:\BK_Data\B&K_AV1230\B&K_AV1230\Doc\B&K_AV1230\Board\14119-00.ddb	Drawn By:	BB



Title			
AV1230 Sense/Control I/O Ch_7-8			
Size	Number	Revision	
A	14119-00	Rev -	
Date:	1-Aug-2007	Sheet of	5 of 7
File:	C:\BK_Data\B&K_AV1230\B&K_AV1230\Doc\Control Board\14119-00.ddb		

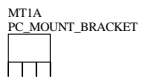
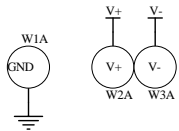
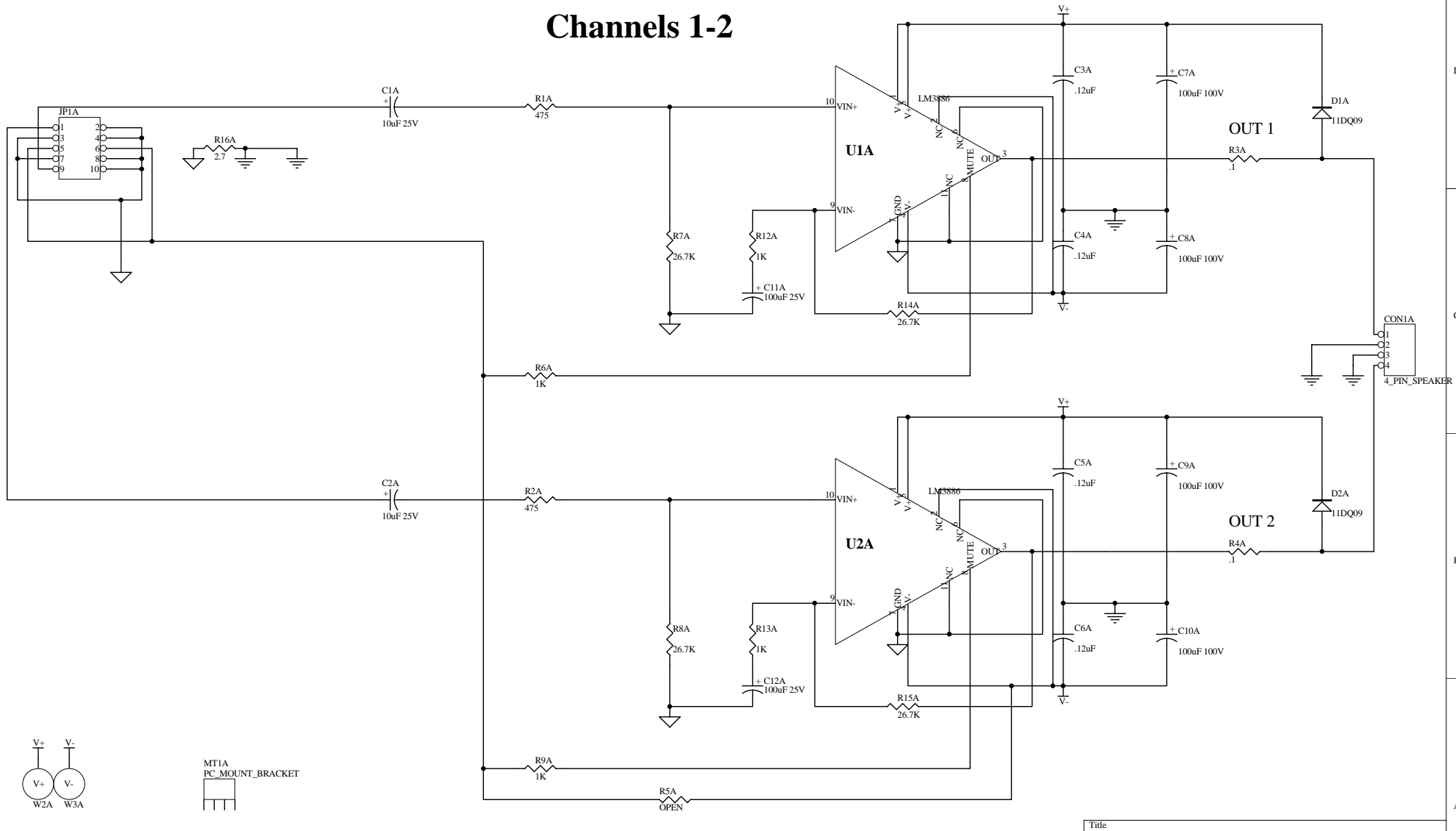


Title			
AV1230 Sense/Control I/O Ch_9-10			
Size	Number	Revision	
A	14119-00	Rev -	
Date:	1-Aug-2007	Sheet of	6 of 7
File:	C:\BK_Data\B&K_AV1230\B&K_AV1230\Doc\Control Board\14119-00.ddb		



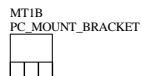
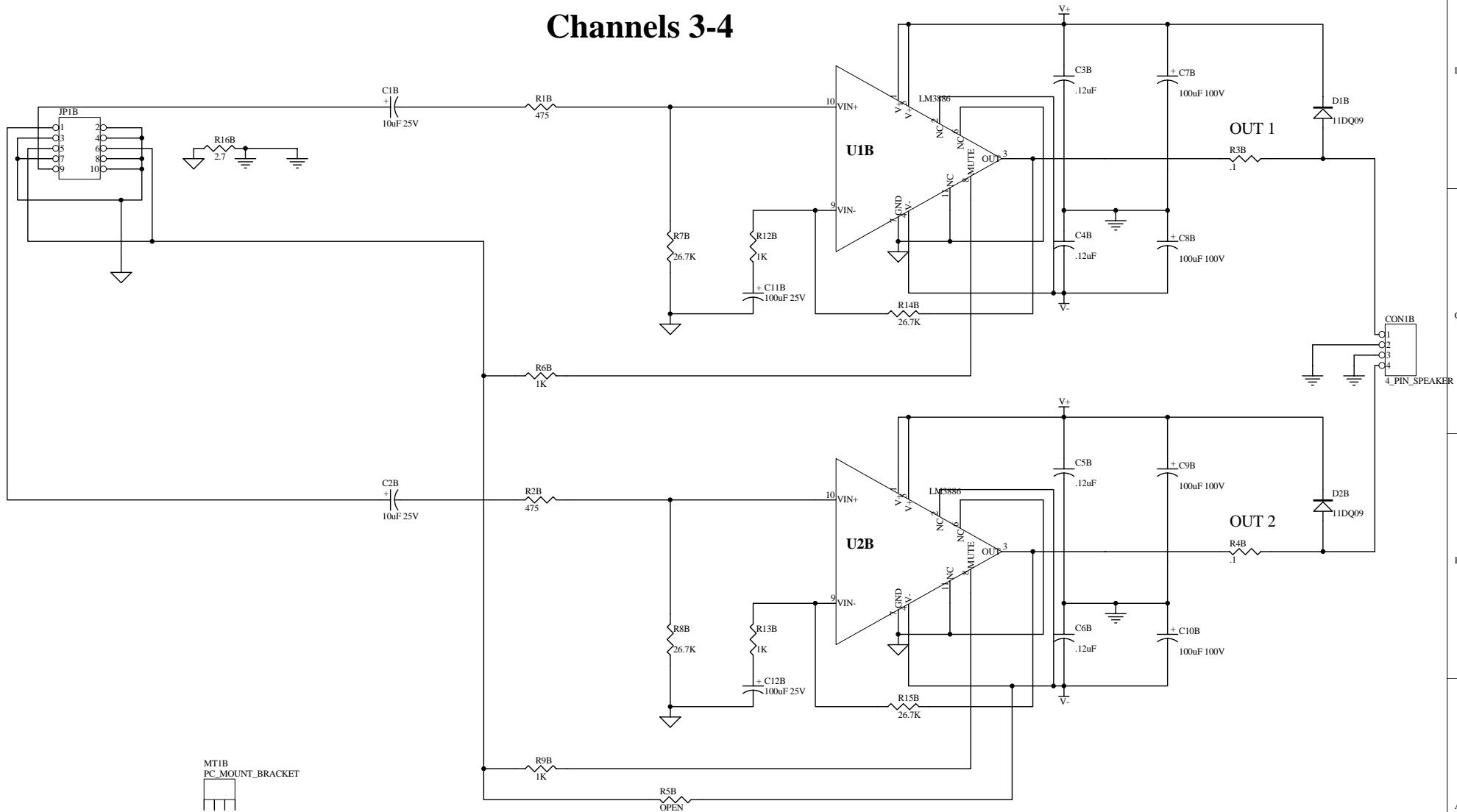
Title			
AV1230 Sense/Control I/O Ch_11-12			
Size	Number	Revision	
A	14119-00	Rev -	
Date:	1-Aug-2007	Sheet of	7 of 7
File:	C:\BK_Data\B&K_AV1230\B&K_AV1230\Doc\Bk_Board\B&K_119-00.ddb		

# Channels 1-2



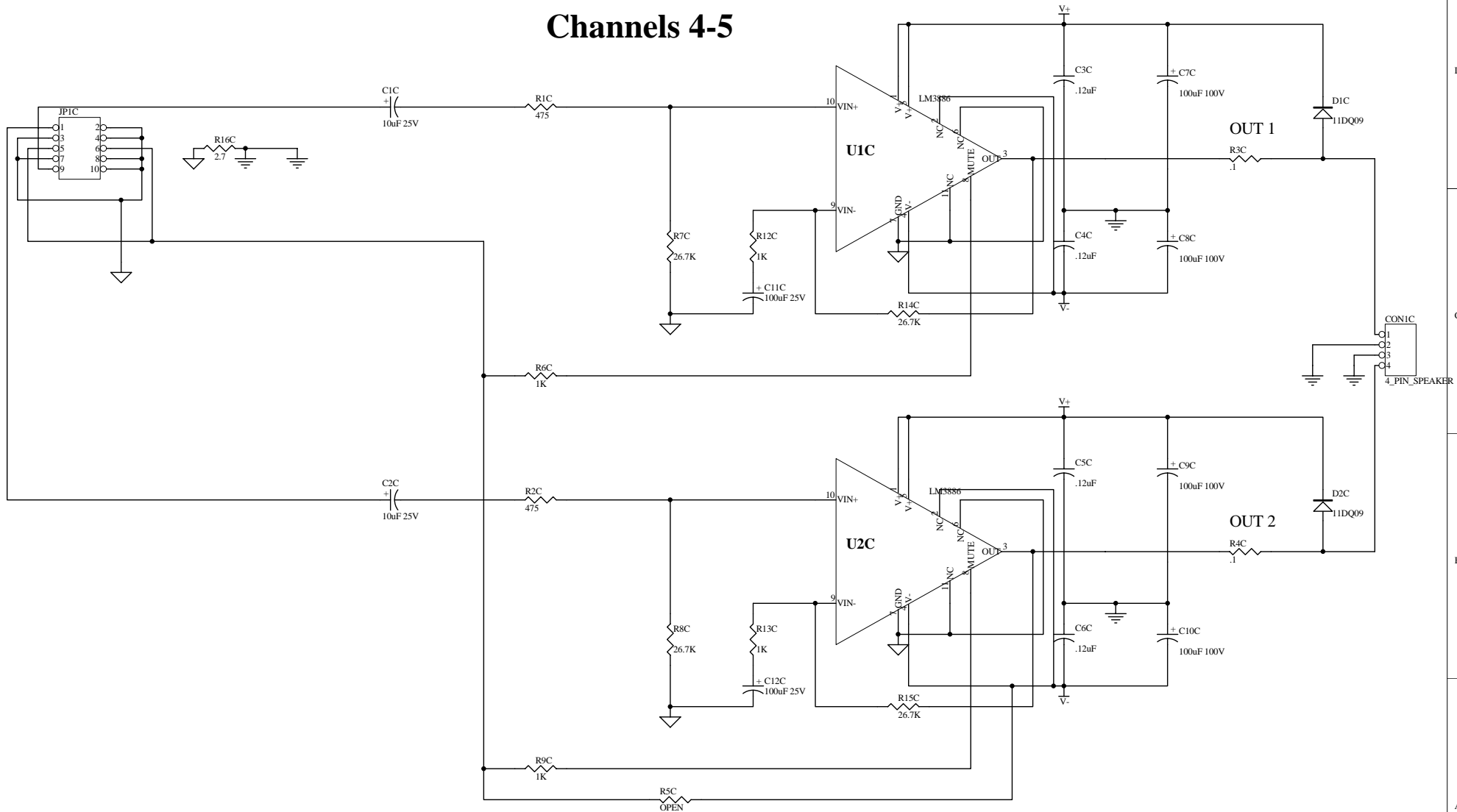
Title		
AV1230 Output		
Size	Number	Revision
B	14111	Rev -
Date:	1-Aug-2007	Sheet of 2 of 7
File:	C:\BK_Data\B&K_AV1230\B&K_AV1230\OutputBoard\SB\SBESM.ddb	

# Channels 3-4



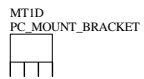
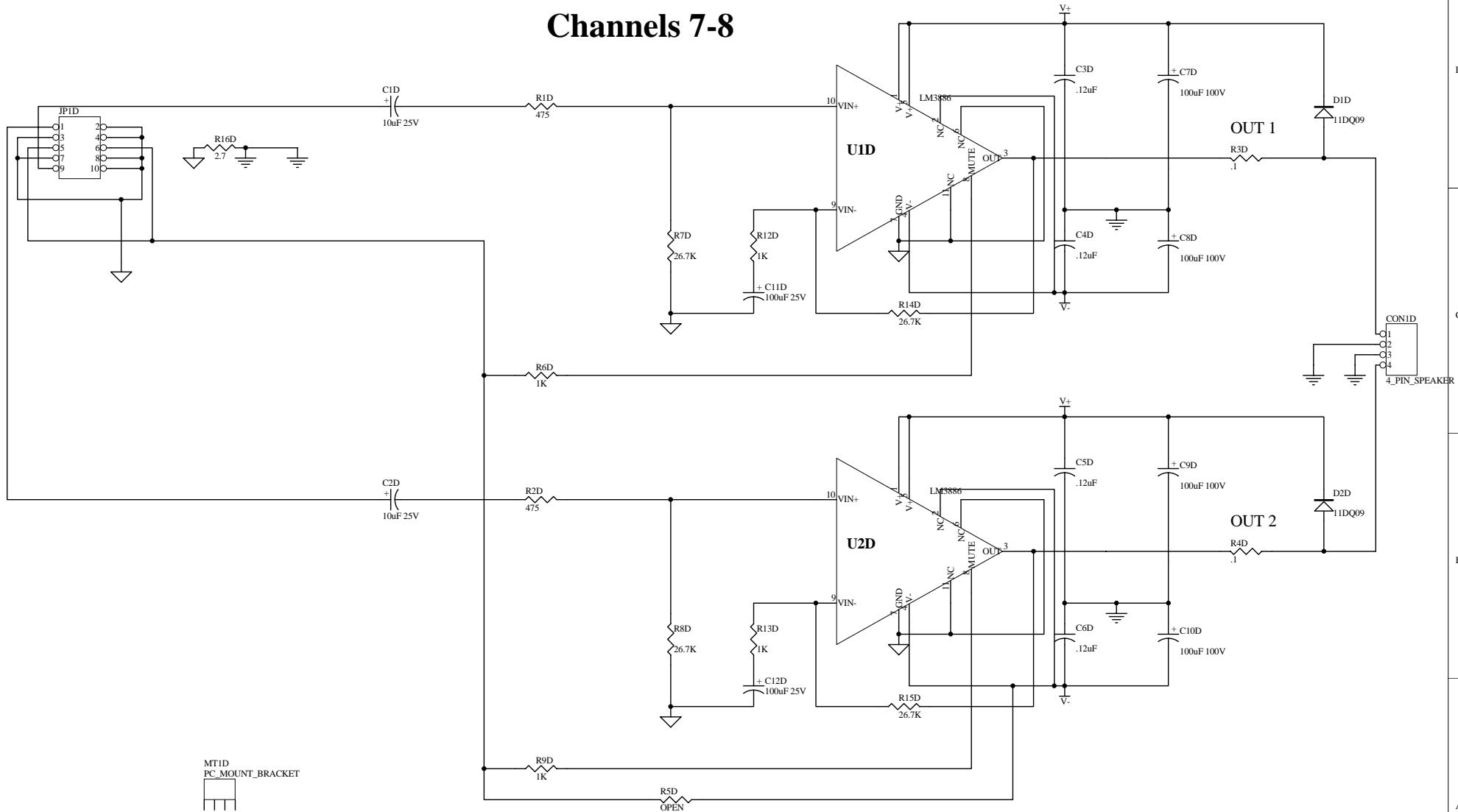
Title		
AV1230 Output		
Size	Number	Revision
B	14111	Rev -
Date:	1-Aug-2007	Sheet of 4 of 7
File:	C:\BK_Data\B&K_AV1230\B&K_AV1230\OutputBoard\SB\HSM.ddb	

# Channels 4-5



Title		
AV1230 Output		
Size	Number	Revision
B	14111	Rev -
Date:	1-Aug-2007	Sheet of 4 of 7
File:	C:\BK_Data\B&K_AV1230\B&K_AV1230\OutputBoard\SB\HSM.ddb	

# Channels 7-8



Title		
AV1230 Output		
Size	Number	Revision
B	14111	Rev -
Date:	1-Aug-2007	Sheet of 7 of 7
File:	C:\BK_Data\B&K_AV1230\B&K_AV1230\Board\SB\HSM.ddb	



