

WE SIMPLY SOUND BETTER.

AVR 507-505

SERVICE MANUAL

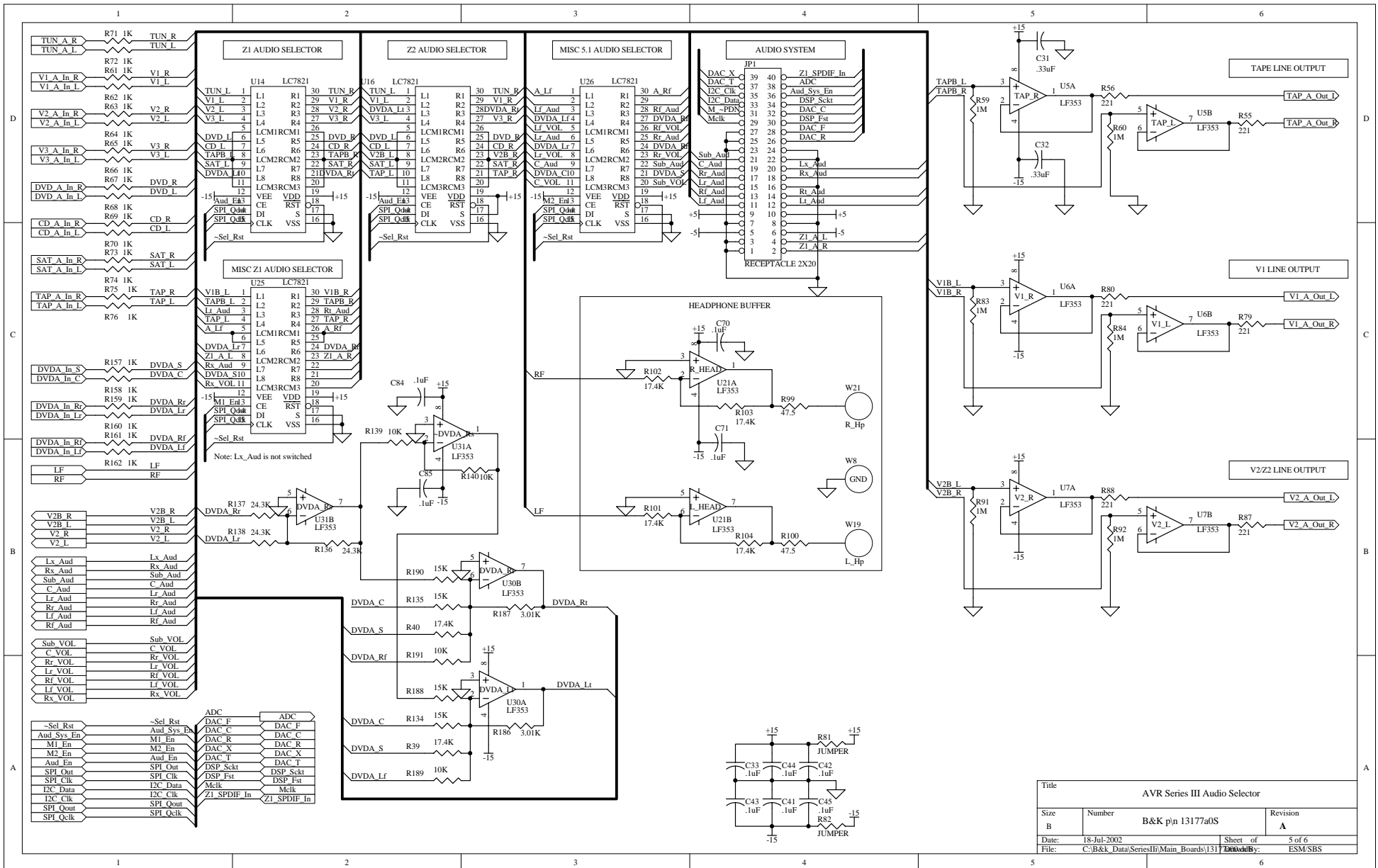
B&K COMPONENTS, LTD.
2100 Old Union Road
Buffalo, New York 14227-2725
U.S.A.

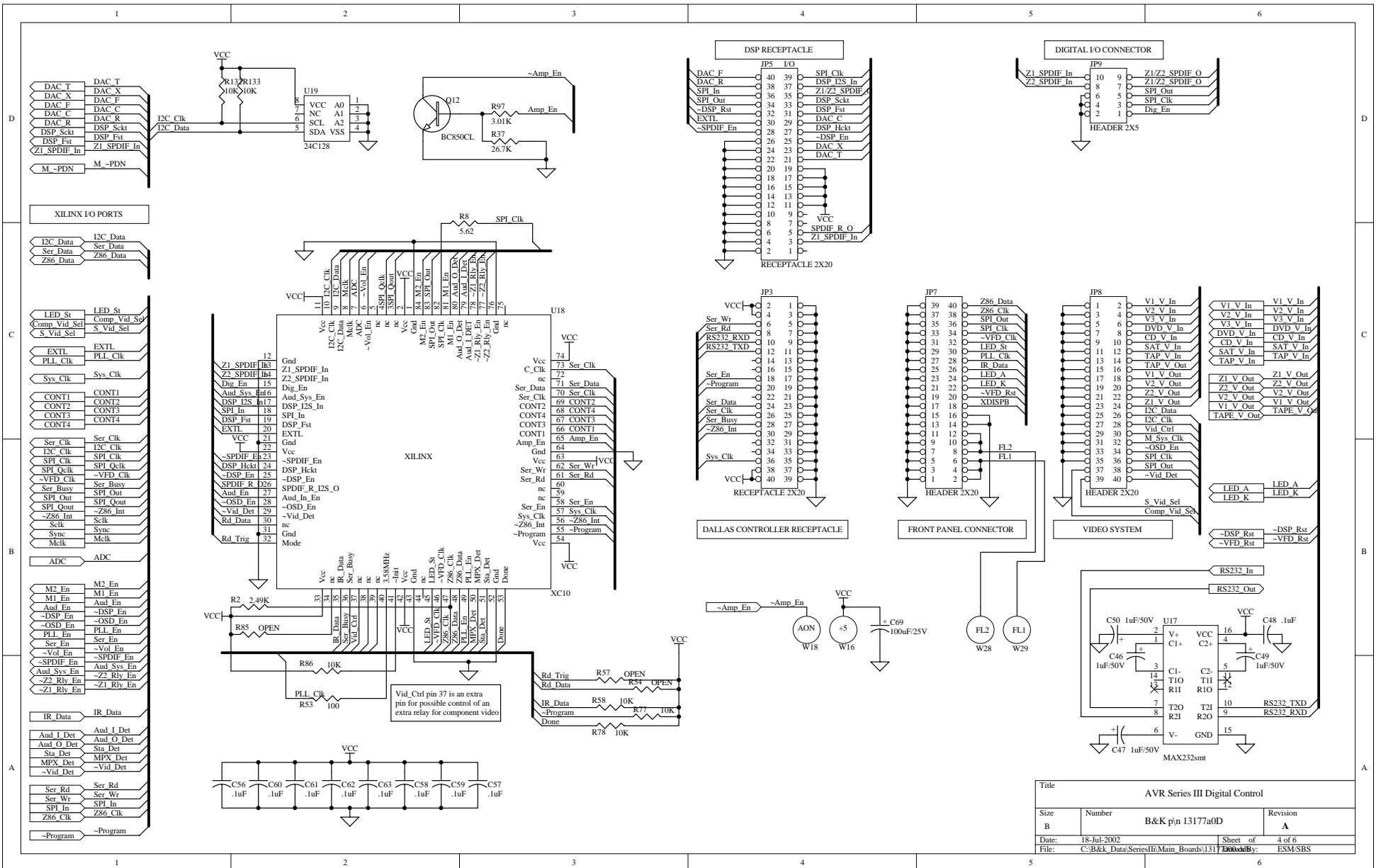
B & K

WE SIMPLY SOUND BETTER.

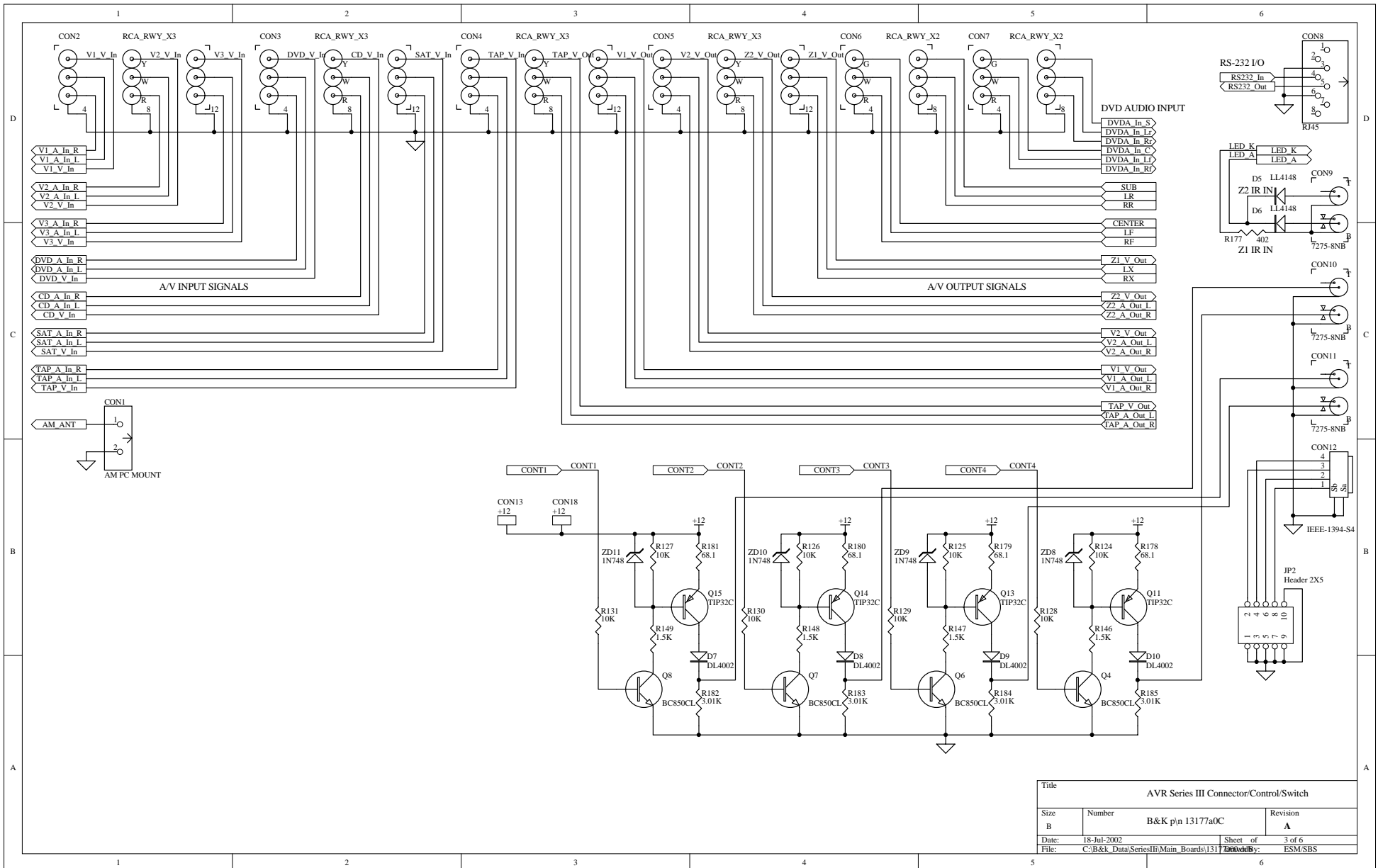
Schematics

B&K COMPONENTS, LTD.
2100 Old Union Road
Buffalo, New York 14227-2725
U.S.A.

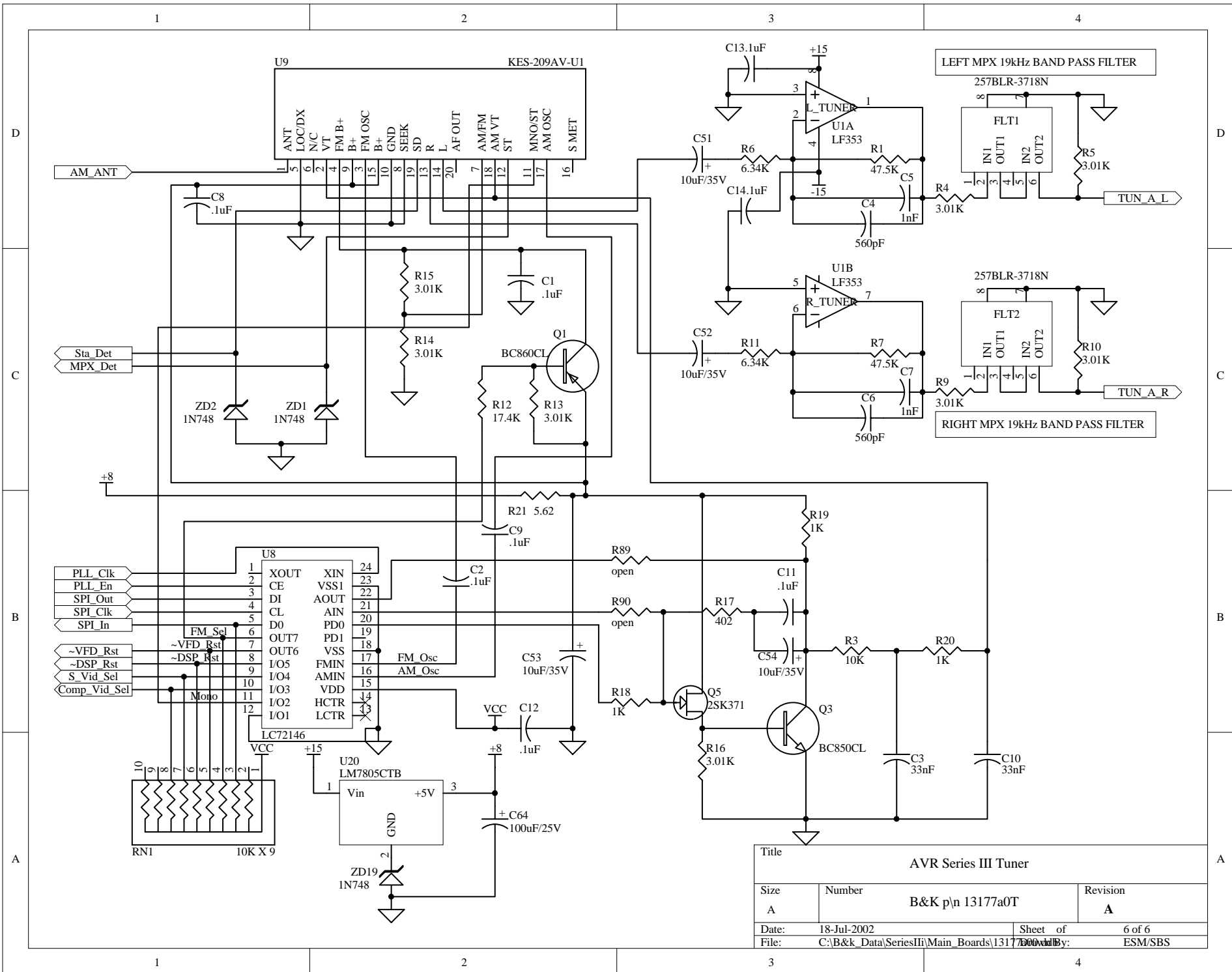


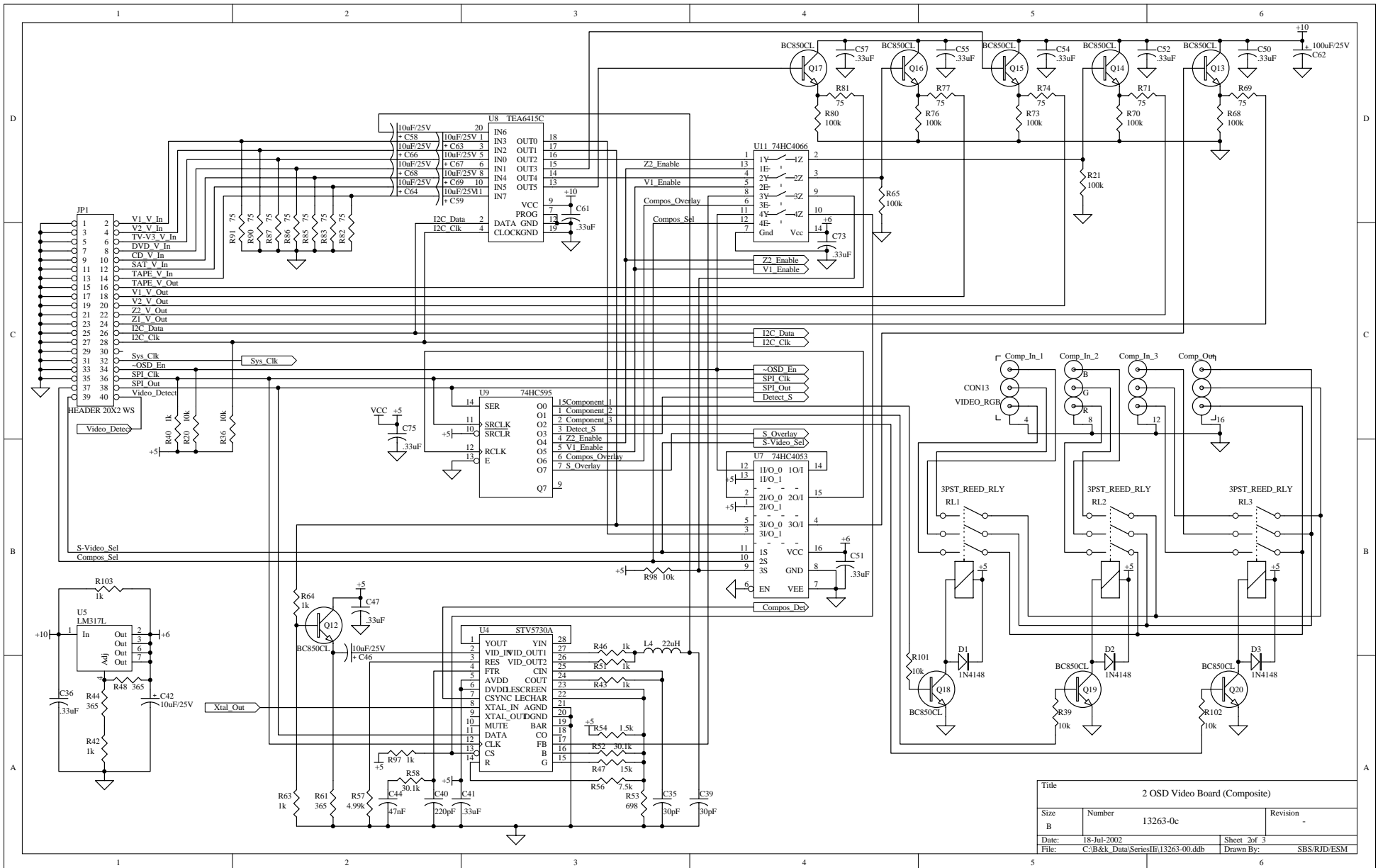


Title			
AVR Series III Digital Control			
Size	Number	B&K p/n 13177a0D	Revision
B			A
Date:	18-Jul-2002	Sheet of	4 of 6
File:	C:\B&k Data\SeriesIII\Main Boards\13177a0D.dwg	Drawn by:	ESM/SBS

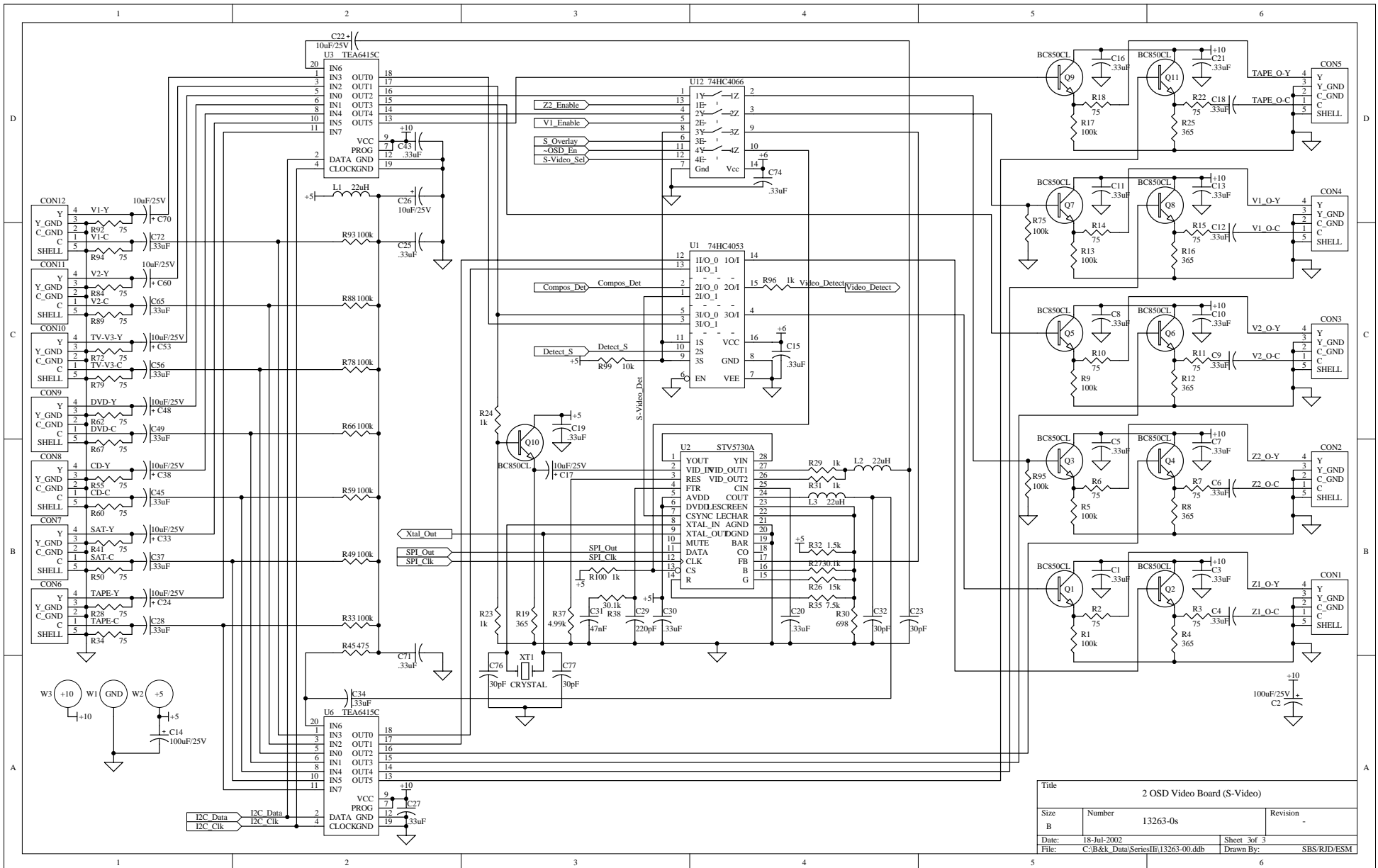


Title				AVR Series III Connector/Control/Switch			
Size	Number	B&K p/n 13177a0C		Revision			
B				A			
Date:	18-Jul-2002	Sheet of		3 of 6			
File:	C:\B&k_Data\SeriesIII\Main Boards\13177a0C.dwg	Drawn By:		ESM/SBS			

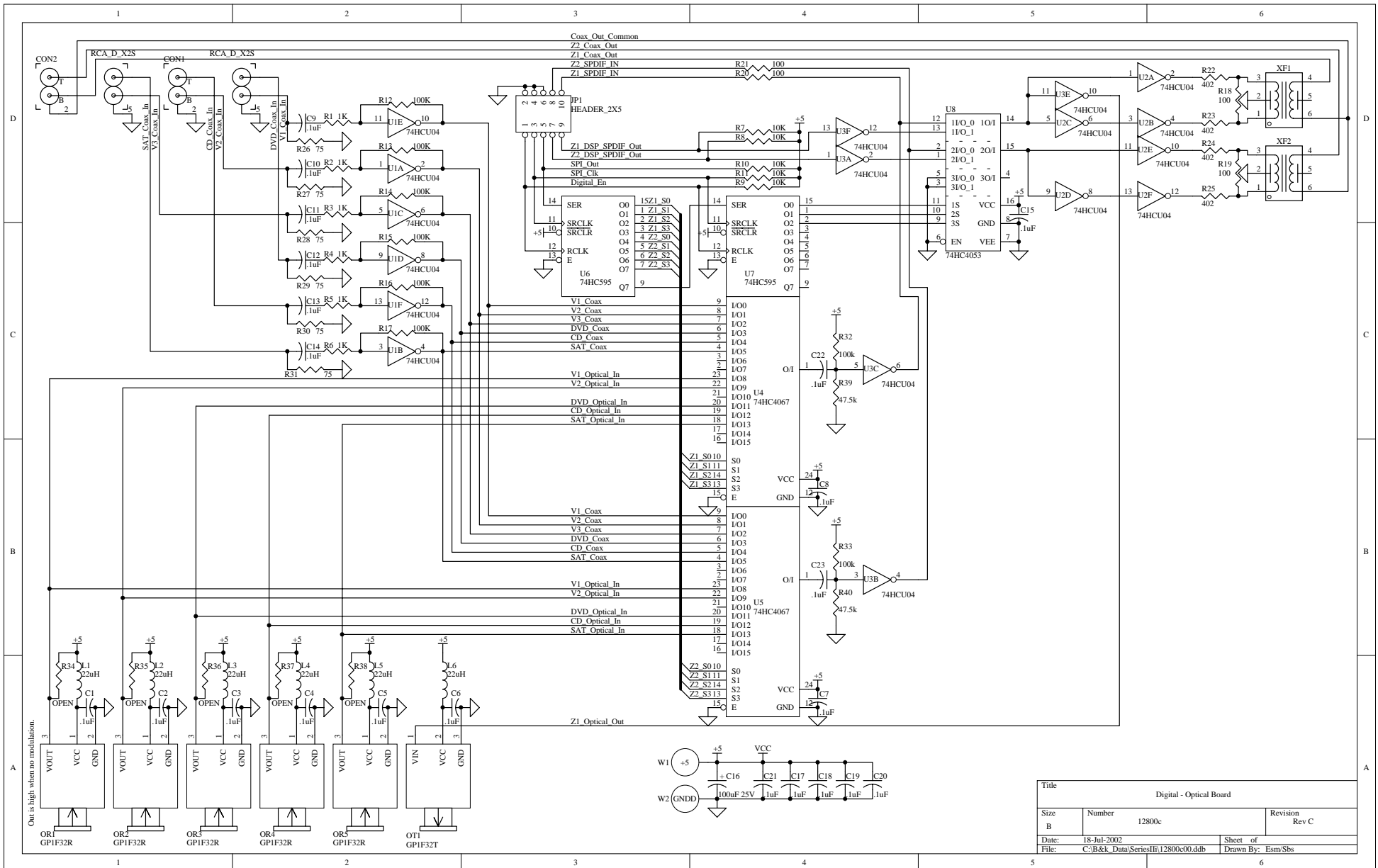




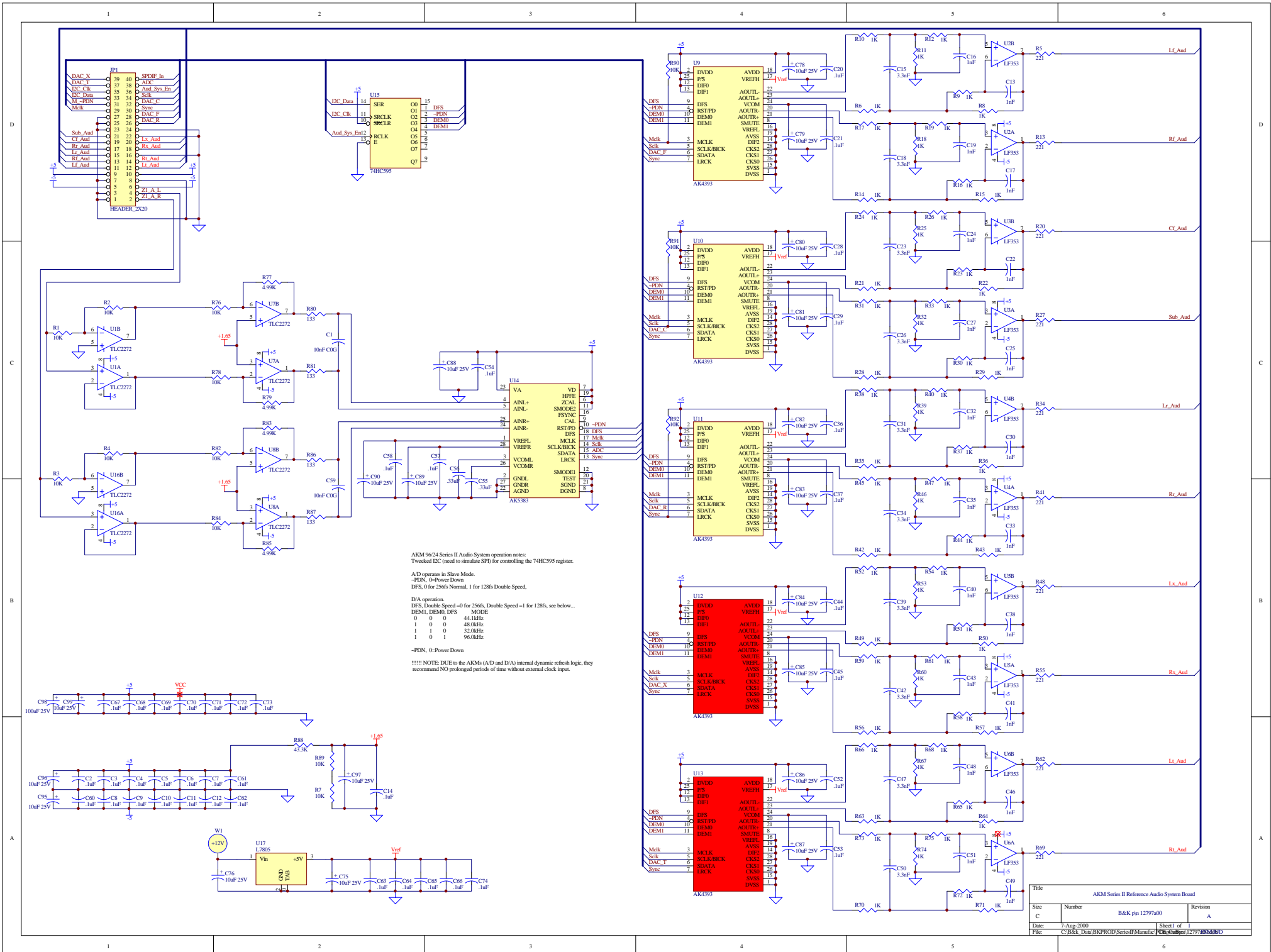
Title			
2 OSD Video Board (Composite)			
Size	Number	13263-0c	Revision
B			-
Date:	18-Jul-2002	Sheet	3 of 3
File:	C:\B&k Data\SeriesIn\13263-00.ddb	Drawn By:	SBS/RJD/ESM



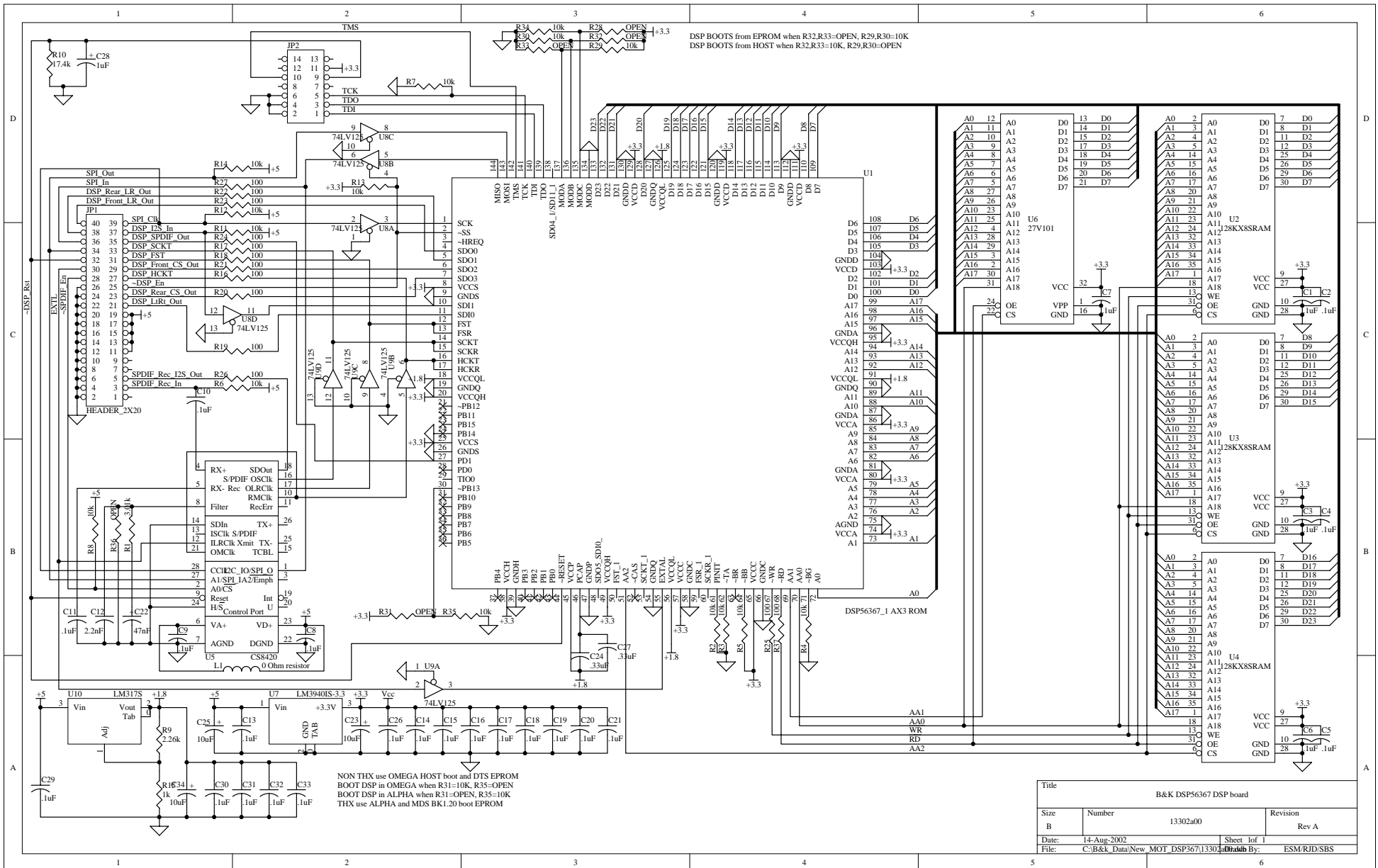
Title			
2 OSD Video Board (S-Video)			
Size	Number	13263-0s	Revision
B			-
Date:	18-Jul-2002	Sheet	3 of 3
File:	C:\B&K_Data\Series\In\13263-00.ddb	Drawn By:	SBS/RJD/ESM



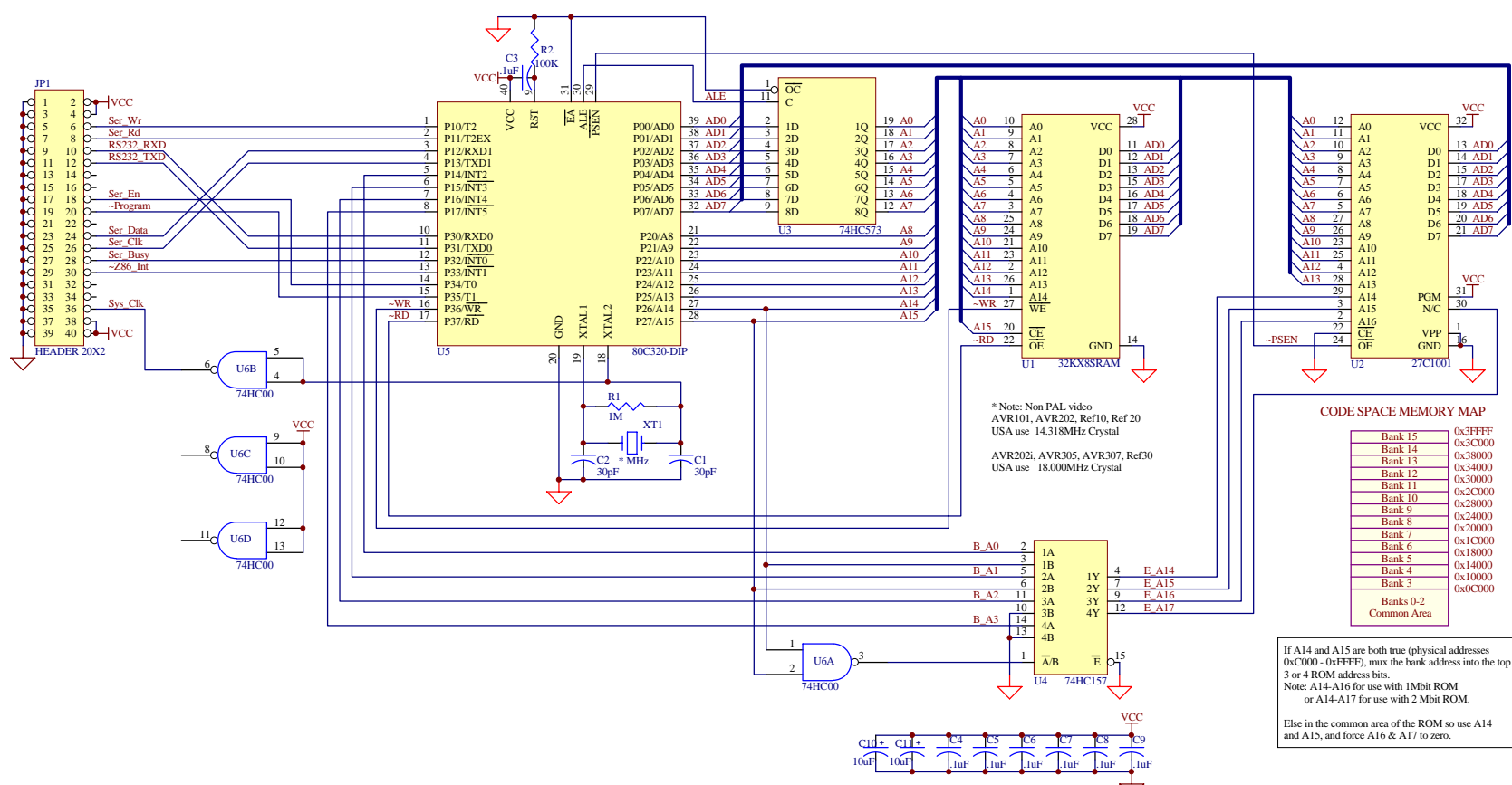
Title		Digital - Optical Board	
Size	Number	Revision	
B	12800c	Rev C	
Date:	18-Jul-2002	Sheet of	
File:	C:\B&k_Data\Series1\12800c00.ddb	Drawn By:	Esm/Sbs



Title			
AKM Series II Reference Audio System Board			
Size	Number	B&K pin 12797aD	Revision
C			A
Date:	7/Aug/2000	Sheet 1 of	
File:	C:\B&K_15m\BKP\PROJ\SeriesII\Main\Ref\AKMRef12797aD.D	Sheet 1 of	



Title			
B&K DSP56367 DSP board			
Size	Number	13302400	Revision
B			Rev A
Date:	14-Aug-2002	Sheet	1 of 1
File:	C:\B&K Data\New MOT DSP367\13302400.dtb By: ESM/RJD/SBS		

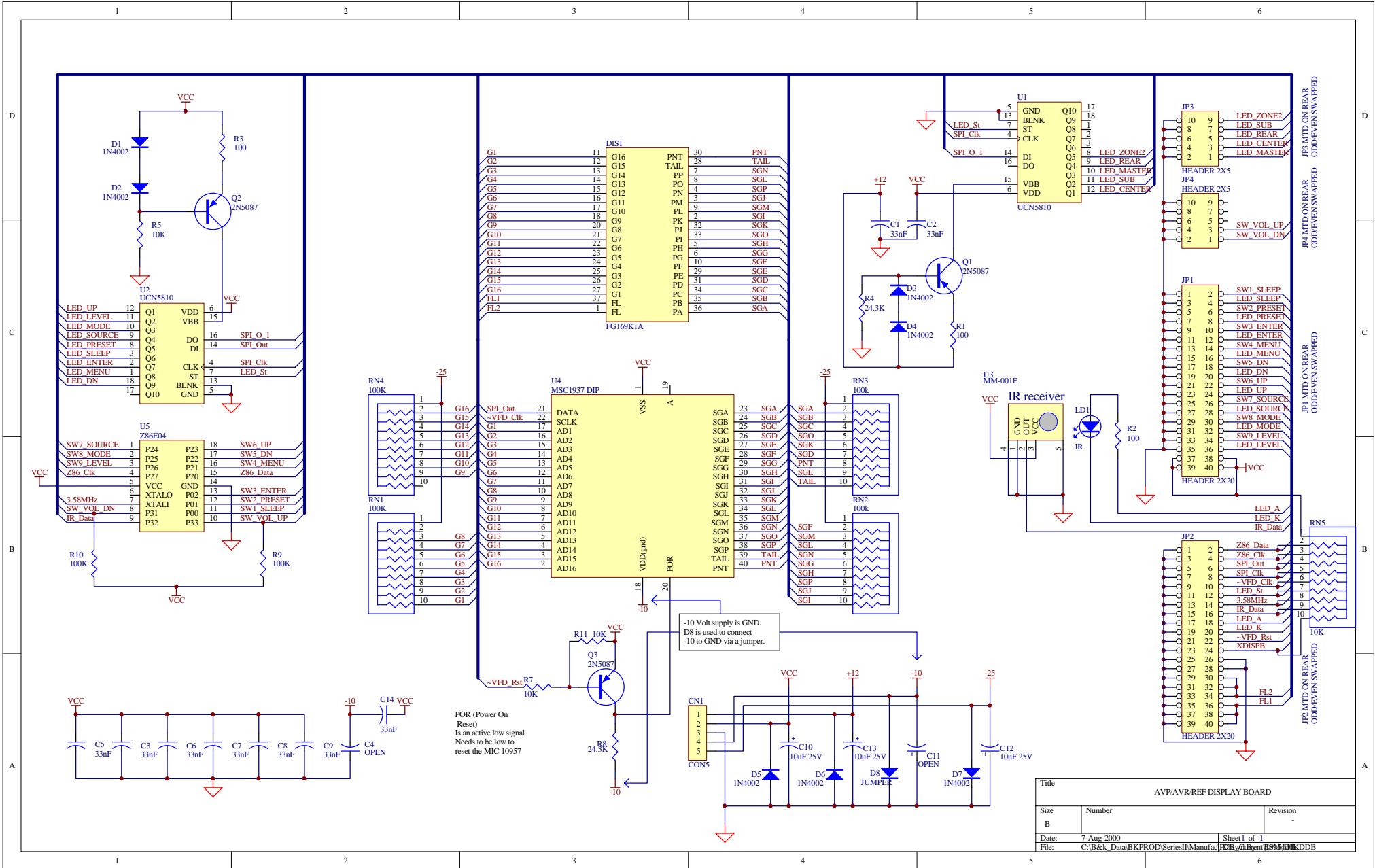


* Note: Non PAL video
 AVR101, AVR202, Ref10, Ref20
 USA use 14.318MHz Crystal
 AVR202i, AVR305, AVR307, Ref30
 USA use 18.000MHz Crystal

CODE SPACE MEMORY MAP

Bank 15	0x3FFFF
Bank 14	0x3C000
Bank 13	0x38000
Bank 12	0x34000
Bank 11	0x30000
Bank 10	0x2C000
Bank 9	0x28000
Bank 8	0x24000
Bank 7	0x20000
Bank 6	0x1C000
Bank 5	0x18000
Bank 4	0x14000
Bank 3	0x10000
Bank 2	0x0C000
Common Area	

If A14 and A15 are both true (physical addresses 0xC000 - 0xFFFF), mux the bank address into the top 3 or 4 ROM address bits.
 Note: A14-A16 for use with 1Mbit ROM or A14-A17 for use with 2 Mbit ROM.
 Else in the common area of the ROM so use A14 and A15, and force A16 & A17 to zero.



Title		
AVP/AVR/REF DISPLAY BOARD		
Size	Number	Revision
B		
Date:	7-Aug-2000	Sheet 1 of 1
File:	C:\B&K_Data\BKPROD\SeriesI\Manufac\PCB\6161\BSP6161K.DDB	

1

2

3

4

D

D

C

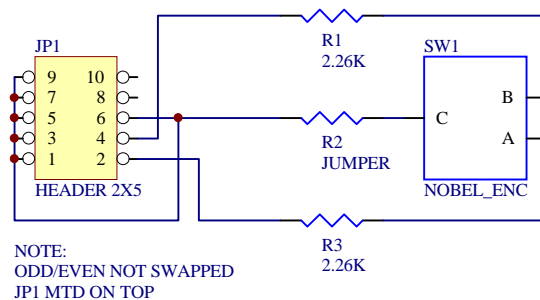
C

B

B

A

A



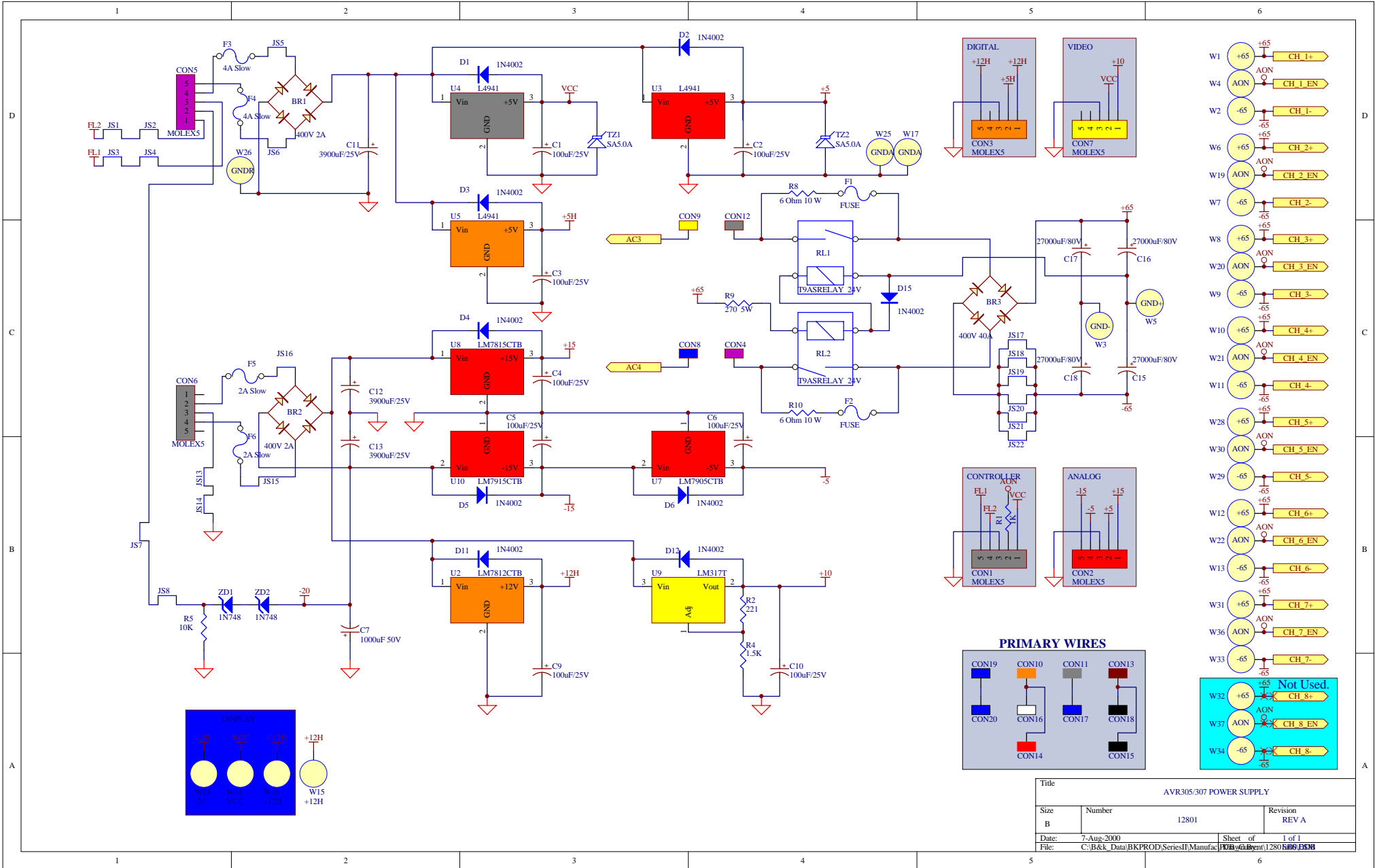
Title		
AVP/AVR/REF/TP ROTARY ENCODER BOARD		
Size	Number	Revision
A		A
Date:	7-Aug-2000	Sheet 1 of 1
File:	C:\B&k_Data\BKPROD\SeriesII\Manufact\PCB\B&k\Bent12760a00.DDB	

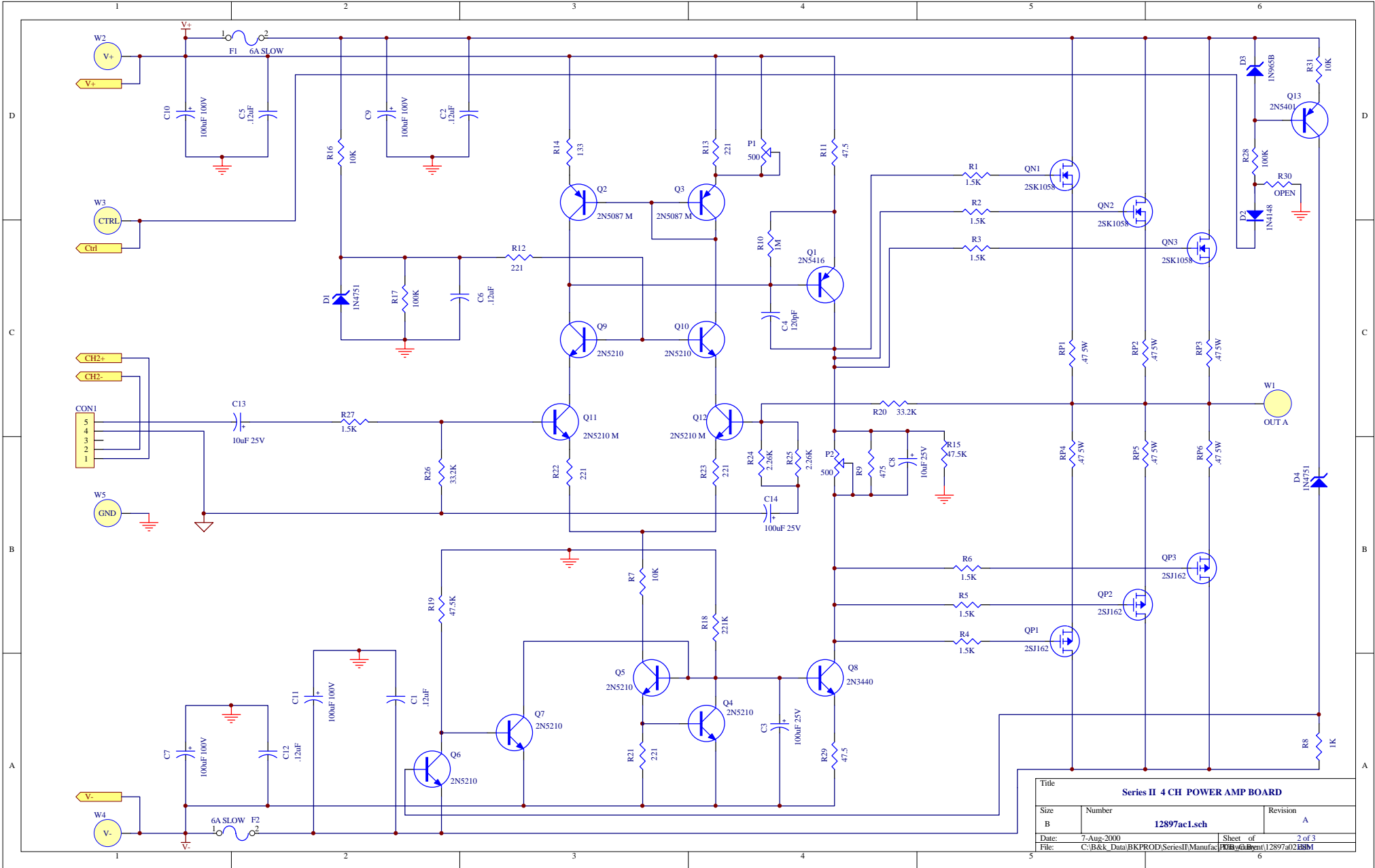
1

2

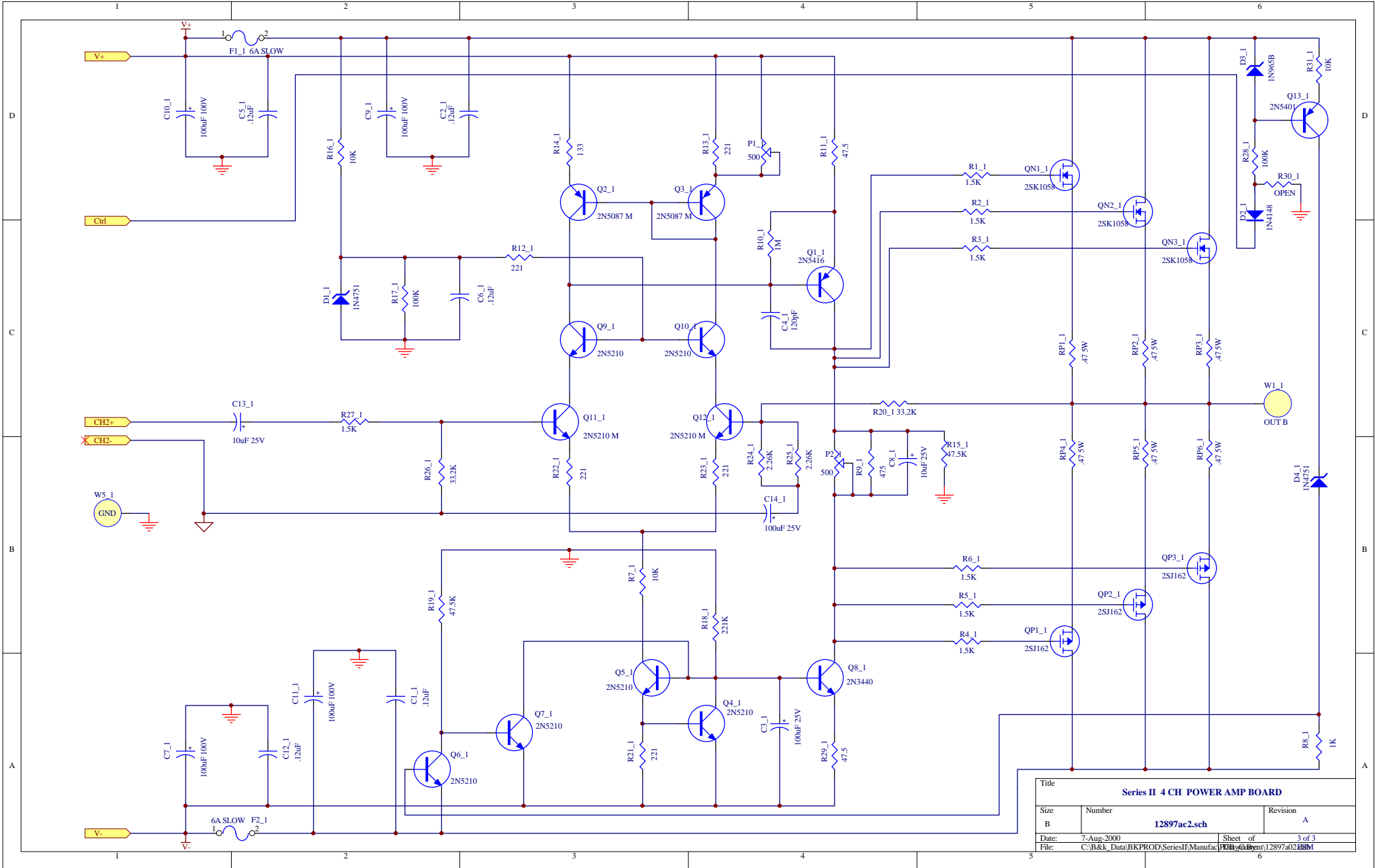
3

4





Title		
Series II 4 CH POWER AMP BOARD		
Size	Number	Revision
B	12897ac1.sch	A
Date:	7-Aug-2000	Sheet of 2 of 3
File:	C:\B&K_Data\BKPROD\SeriesII\Manufact\PCB\61.Bent\12897a02.E8B1	



Title		
Series II 4 CH POWER AMP BOARD		
Size	Number	Revision
B	12897ac2.sch	A
Date:	7-Aug-2000	Sheet of 3 of 3
File:	C:\B&K_Data\BKPROD\SeriesII\Manufact\PCB\61.Bent\12897a02.BOM	